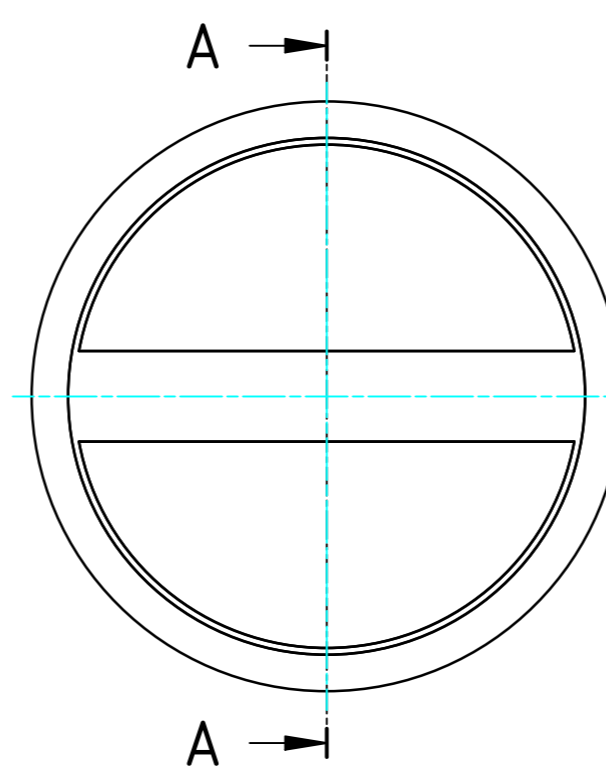
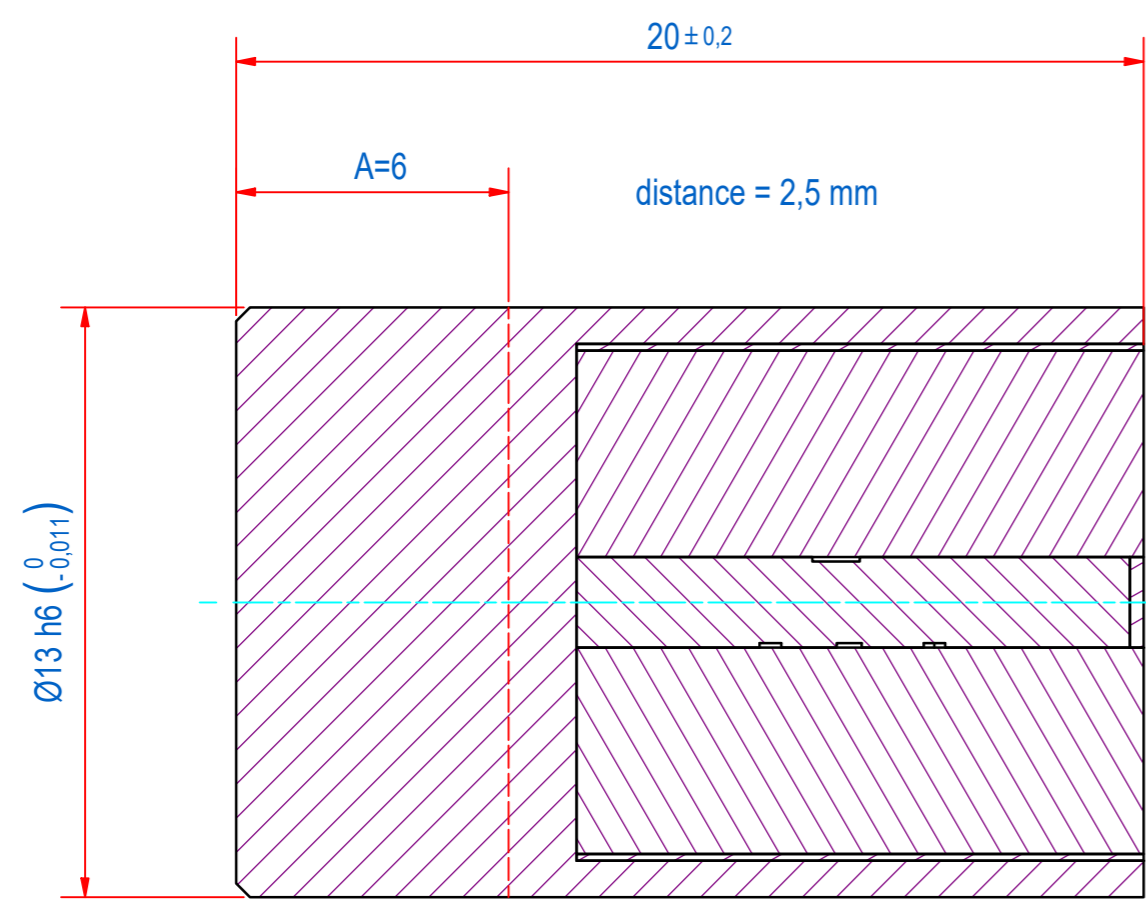
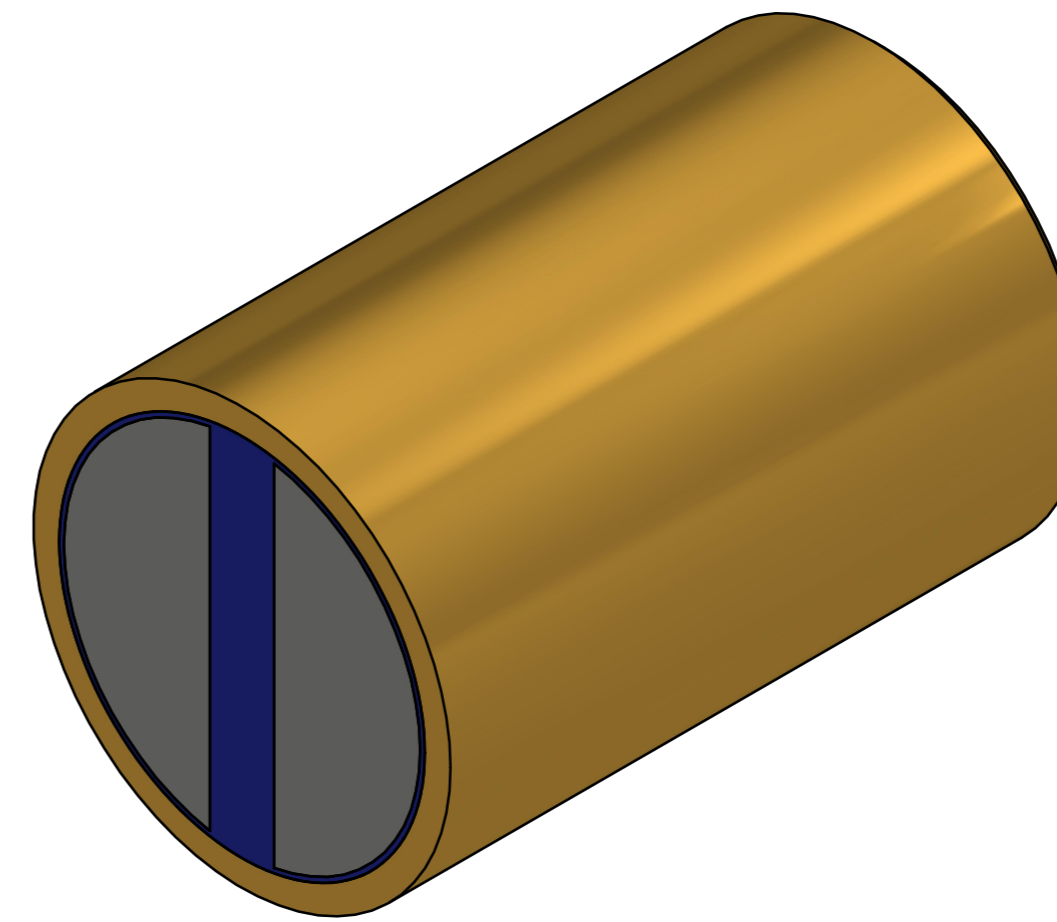
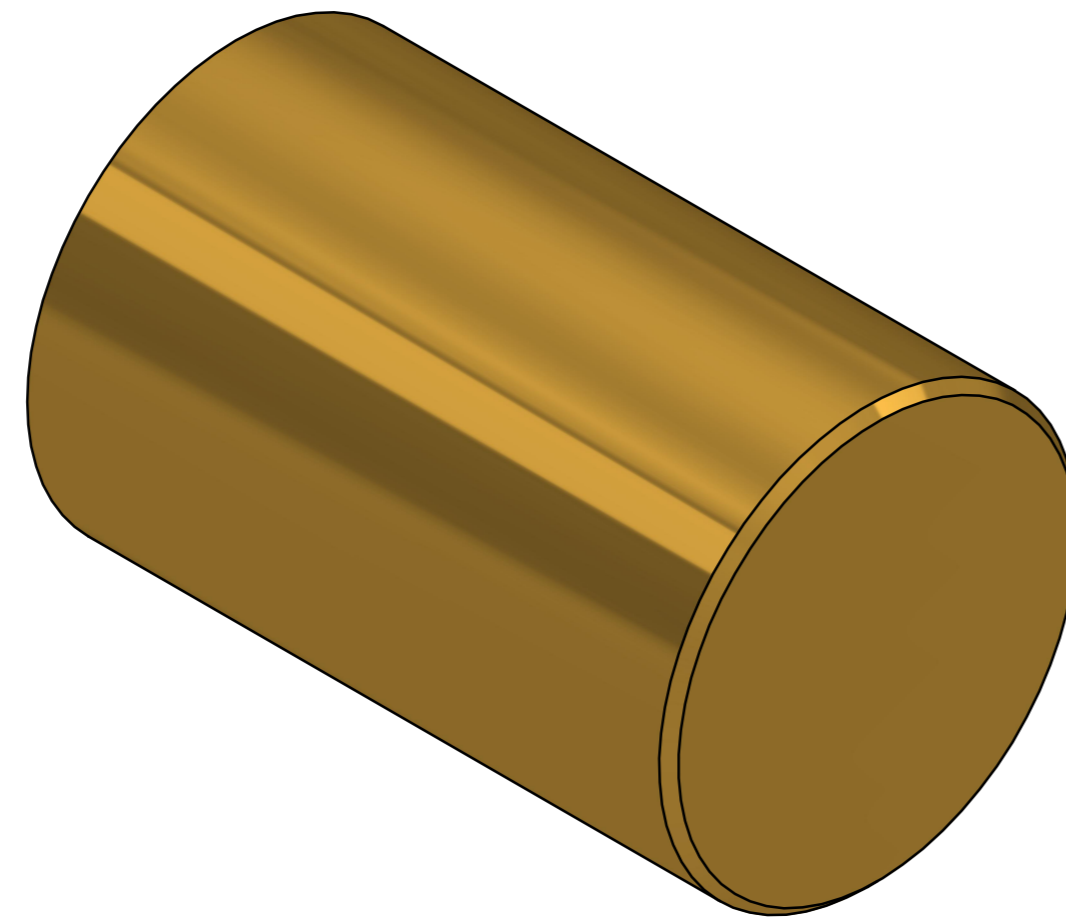


DOC.NR.	REV	DATE	BY	DESCRIPTION
GM17304	-	30-9-2019	PV	ORIGINAL DRAWING



DIRECT MOUNTING OF THE BAR MAGNET IN IRON REDUCES THE HOLDING FORCE BY UP TO 15% DUE TO MAGNETIC SHORT-CIRCUITING. TO AVOID THIS, CERTAIN DISTANCES SHOULD BE MAINTAINED BETWEEN THE BRASS CASING OF THE BAR MAGNET AND THE IRON. THE DISTANCES SHOULD ALSO BE OBSERVED IF THE BAR MAGNET IS SHORTENED WITH DIMENSION A. PLEASE REFER TO THE DISTANCE IN THE DRAWING (distance .... mm).

A-A

RAW MAT.	1	Quantity	Material Number	Material Description	Length (mm)	Width (mm)
Sheet:	A2	Extra info:	POT MAGNET NEODYMIUM		General tolerance: ISO 2768- mK	
Drawn:	PV	Weight (kg):	0,021		Drawn according: ISO268; ISO1101; ISO2553	
Date:	30-8-2019	Status:	Standard		Customer reference number:	
Spare part:	False	Quick search:	POTGM	<p>© All rights reserved. Reproduction is not permitted without written permission of GOUDSMIT Magnetic Systems BV</p>	Document number:	E0121754
Description:	PM-BA-N-BR-D13h6x20		Part number:		GM17304	Doc.Rev: