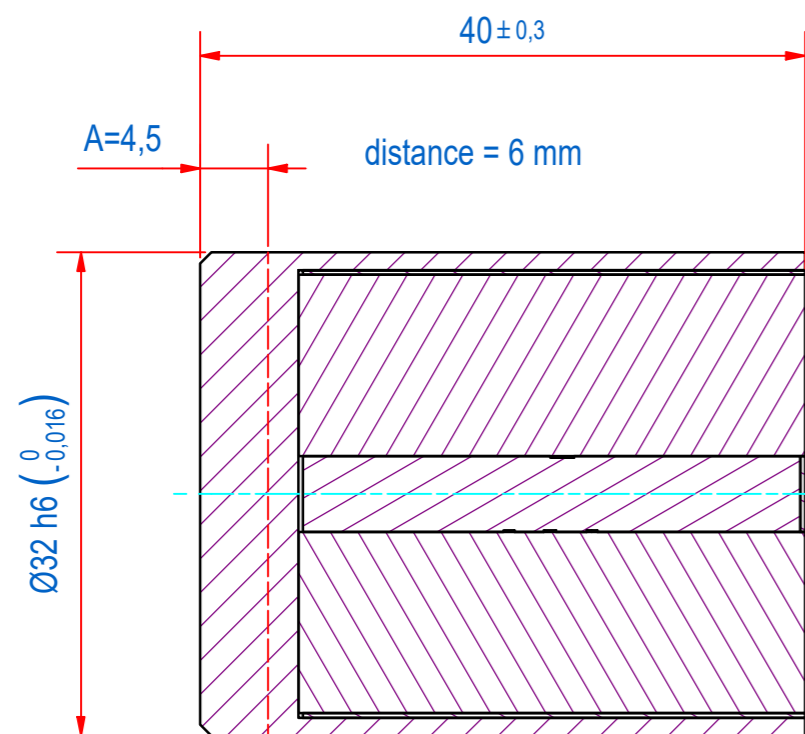
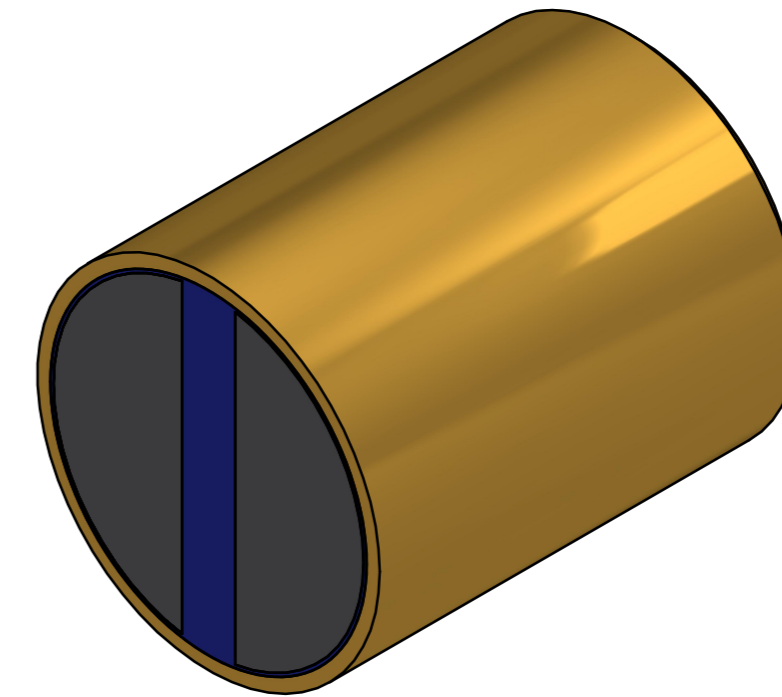
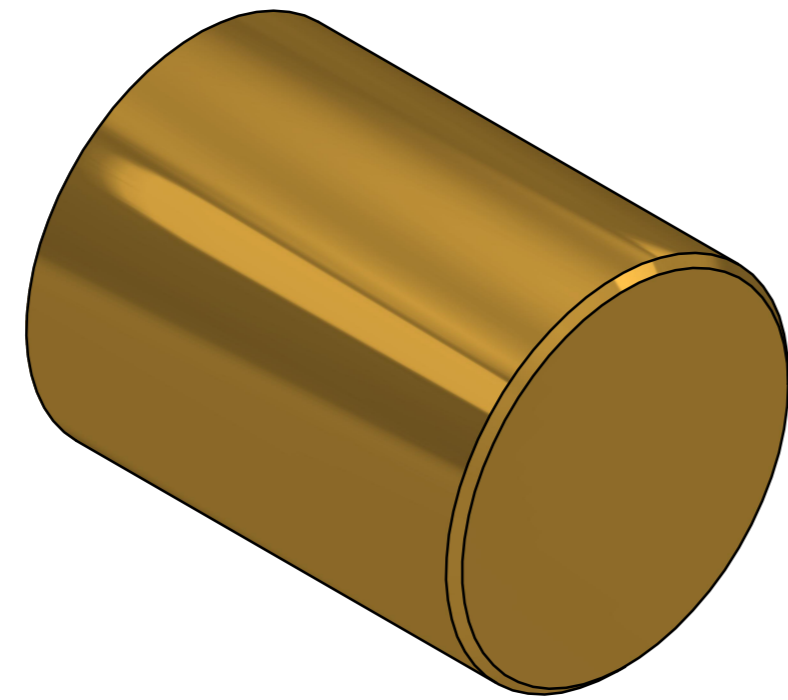
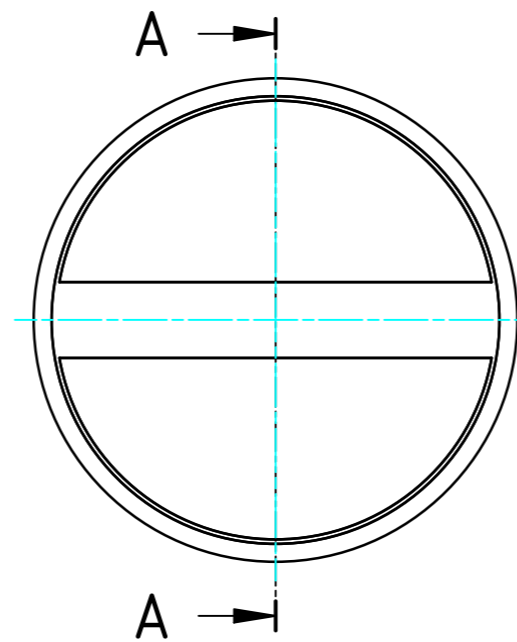


DOC.NR.	REV	DATE	BY	DESCRIPTION
GM17308	-	30-9-2019	PV	ORIGINAL DRAWING



A-A



DIRECT MOUNTING OF THE BAR MAGNET IN IRON REDUCES THE HOLDING FORCE BY UP TO 15% DUE TO MAGNETIC SHORT-CIRCUITING. TO AVOID THIS, CERTAIN DISTANCES SHOULD BE MAINTAINED BETWEEN THE BRASS CASING OF THE BAR MAGNET AND THE IRON. THE DISTANCES SHOULD ALSO BE OBSERVED IF THE BAR MAGNET IS SHORTENED WITH DIMENSION A. PLEASE REFER TO THE DISTANCE IN THE DRAWING (distance .... mm).

RAW MAT.	1						
Quantity		Material Number		Material Description	Length (mm)	Width (mm)	
Sheet:	A2	Extra info:	POT MAGNET NEODYMIUM		General tolerance:		ISO 2768- mK
Drawn:	PV	Weight (kg):	0,25		Drawn according:		ISO268; ISO1101; ISO2553
Date:	7-6-2019	Source:			Status:		Standard
Spare part:	False	POTGM			Customer reference number:		
Quick search:	POTGM	Description:		<small>© All rights reserved. Reproduction is not permitted without written permission of GOUDSMIT Magnetic Systems BV</small>		Document number:	E0114872
				Description:		Part number:	GM17308
				PM-BA-N-BR-D32h6x40		Doc.Rev:	-
						Rev:	-