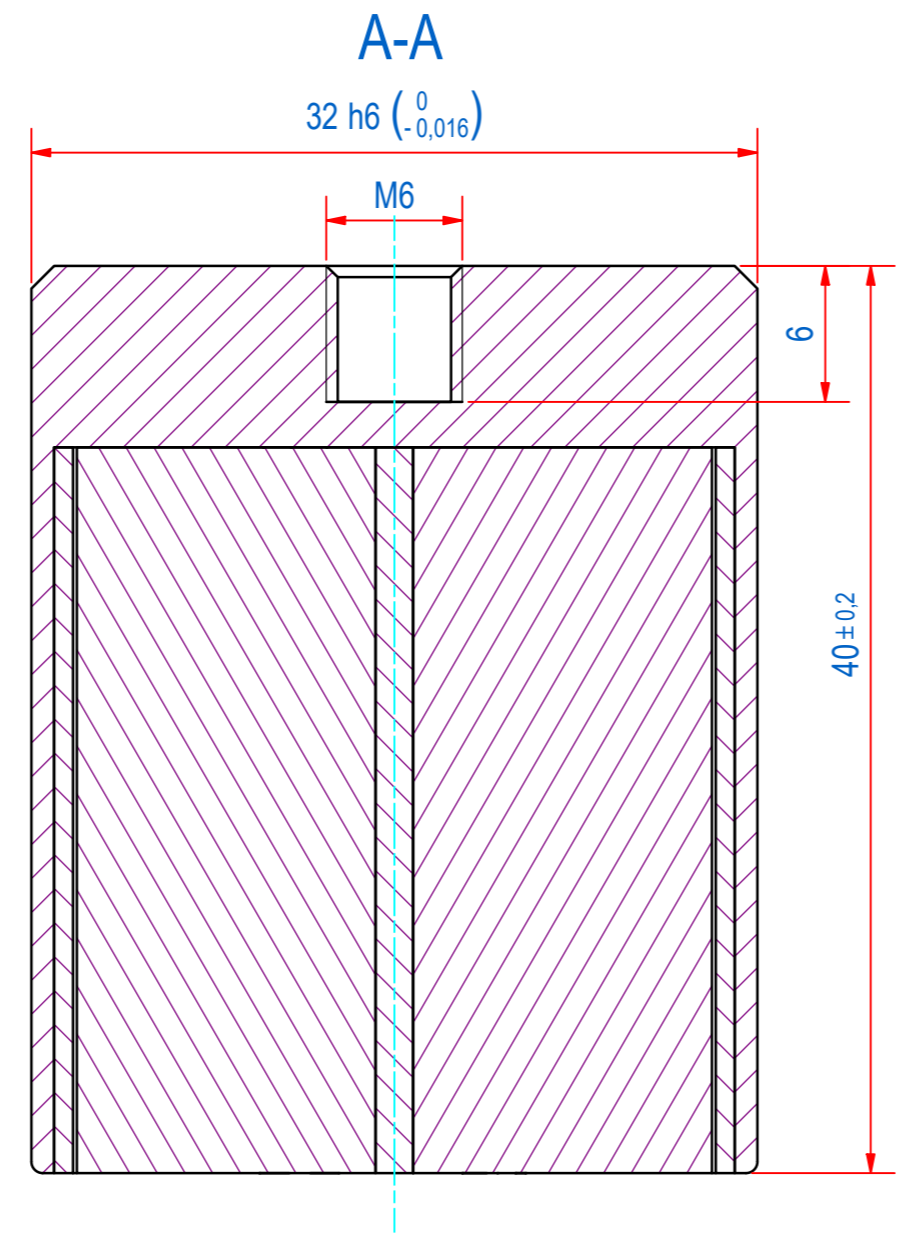
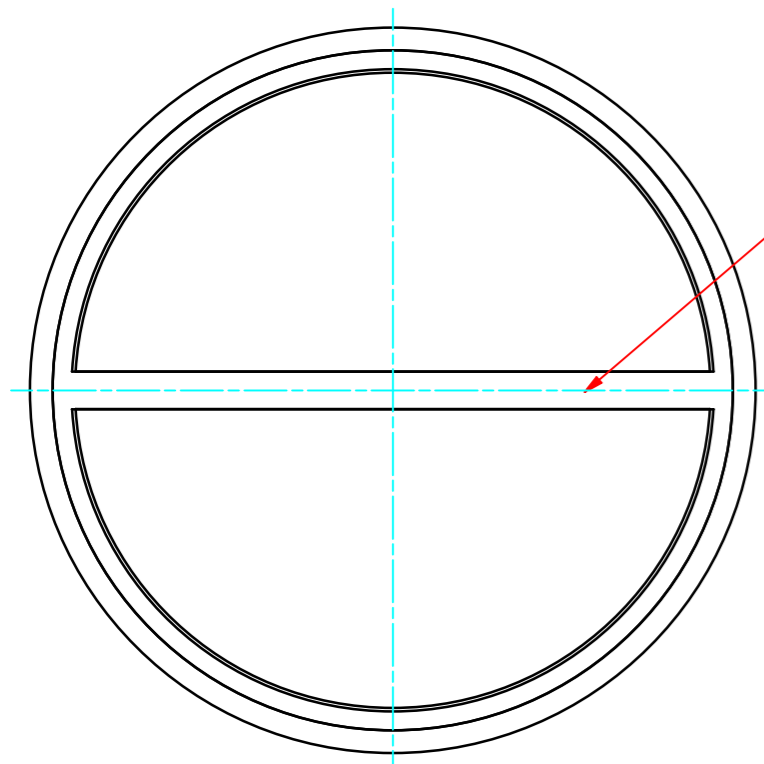
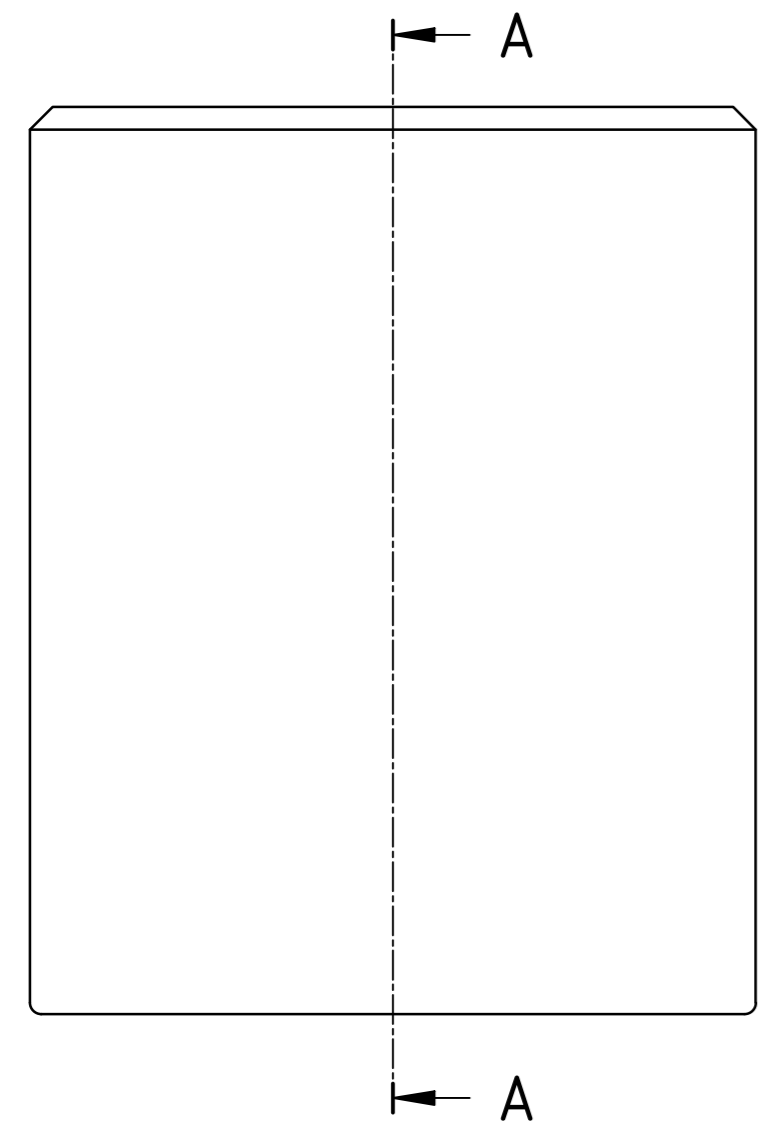
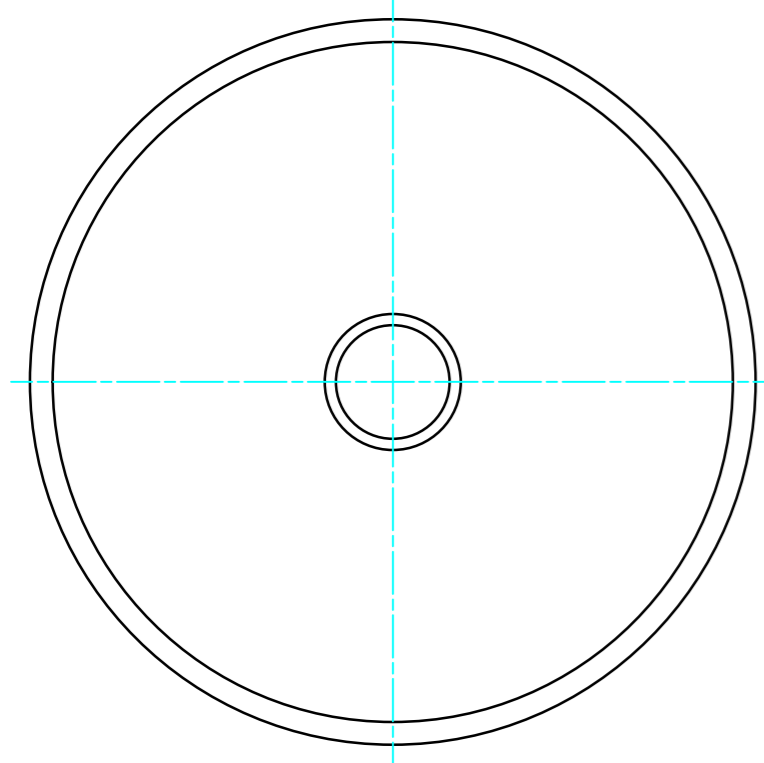
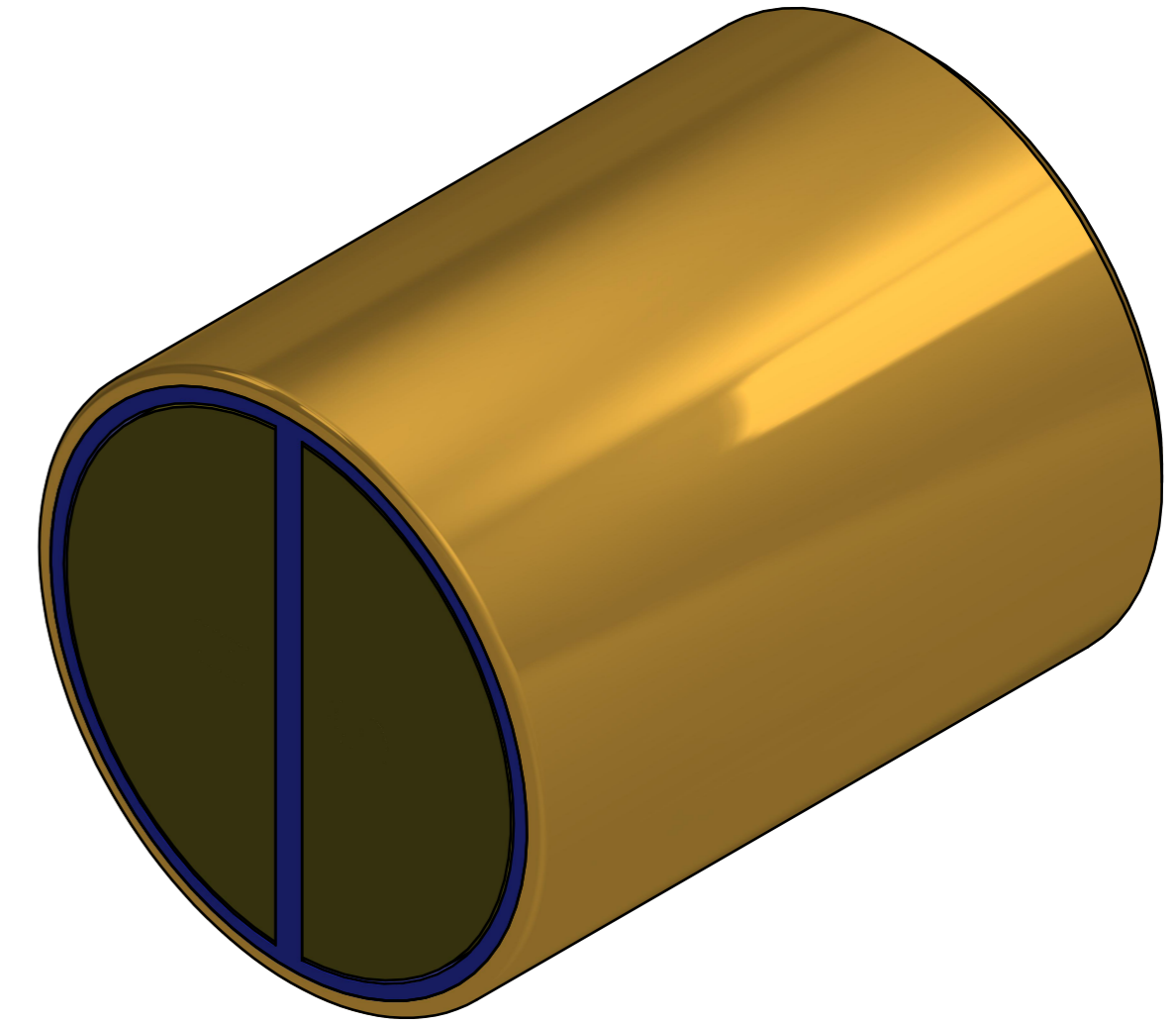


| DOC.NR. | REV | DATE | BY | DESCRIPTION |
|---------|-----|-----------|----|------------------|
| GM17326 | - | 17-4-2023 | LH | ORIGINAL DRAWING |



ADHESIVE COLOURED BLUE

| RAW MAT. | Quantity | Material Number | Material Description | Length (mm) | Width (mm) |
|--|----------|---|----------------------|---|------------|
| 1 | | | | | |
| Sheet: A2 | | Extra info: POT MAGNET NdFeB | | General tolerance: ISO 2768- mK | |
| Drawn: LH | | Weight (kg): 0,22 | | Drawn according: ISO286; ISO1101; ISO2553 | |
| Date: 17-4-2023 | | | | Status: Standard | |
| Spare part: False | | | | Customer reference number: | |
| Quick search: POTGM | | © All rights reserved. Reproduction is not permitted without written permission of GOUDSMIT Magnetic Systems BV | | Document number: GM17327 Doc.Rev: - | |
| Description: PM-TI-N-BR-D32(h6)x40xM6x6 | | Part number: GM17327 | | Rev: - | |