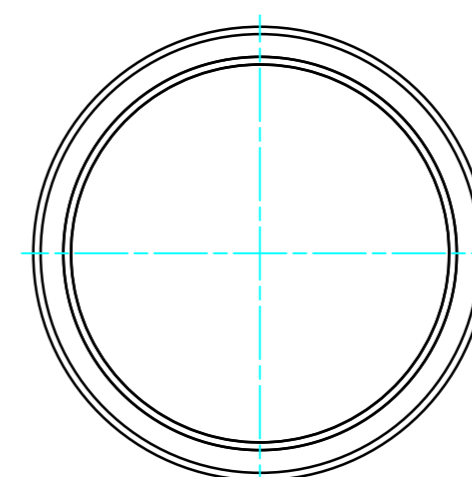
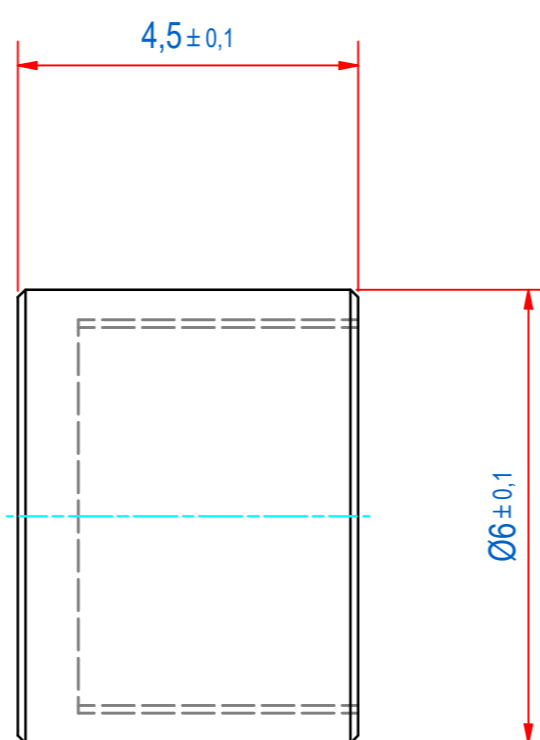
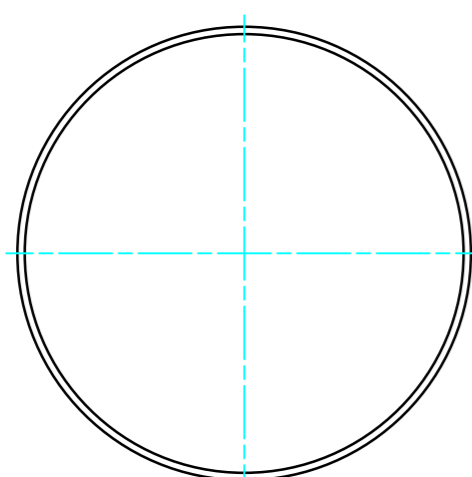
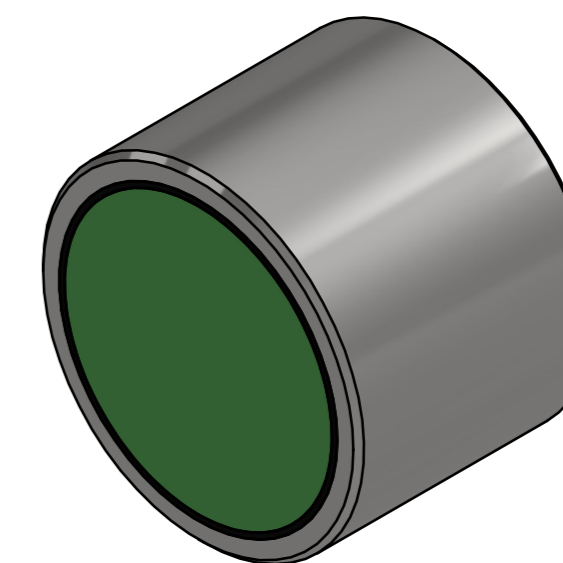
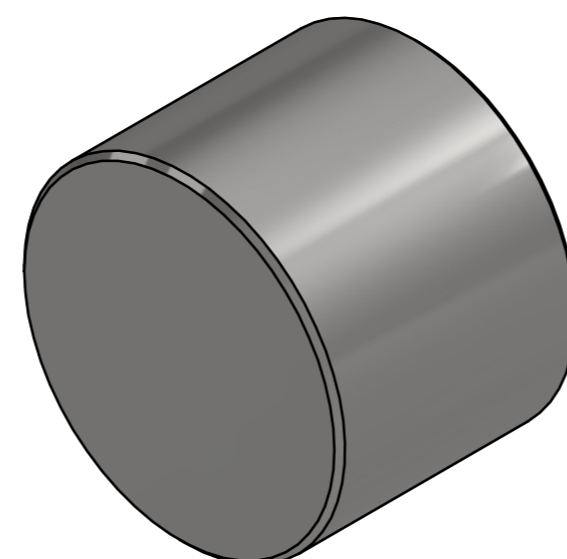


DOC.NR.	REV	DATE	BY	DESCRIPTION
E0121133	-	30-9-2019	PV	ORIGINAL DRAWING
E0121133	A	14-8-2020	TM	TOLERANCE CORRECTION



SURFACE TREATMENT: ZINC PLATED

RAW MAT.	1	Quantity	Material Number	Material Description	Length (mm)	Width (mm)
Drawn:	PV	Weight (kg):	0,001	Extra info:	POTMAGNET NEODYMIUM	
Date:	21-8-2019	Sheet:	A2	General tolerance:	ISO 2768- mK	
Spare part:	False	Source:		Drawn according:	ISO268; ISO1101; ISO2553	
Quick search:	POTGM			Status:	Standard	
Description:	PM-BA-N-SG-D6x4.5			Customer reference number:		
				Document number:	E0121133	Doc.Rev:
				Part number:	GM17401	Rev:
				© All rights reserved. Reproduction is not permitted without written permission of GOUDSMIT Magnetic Systems BV		