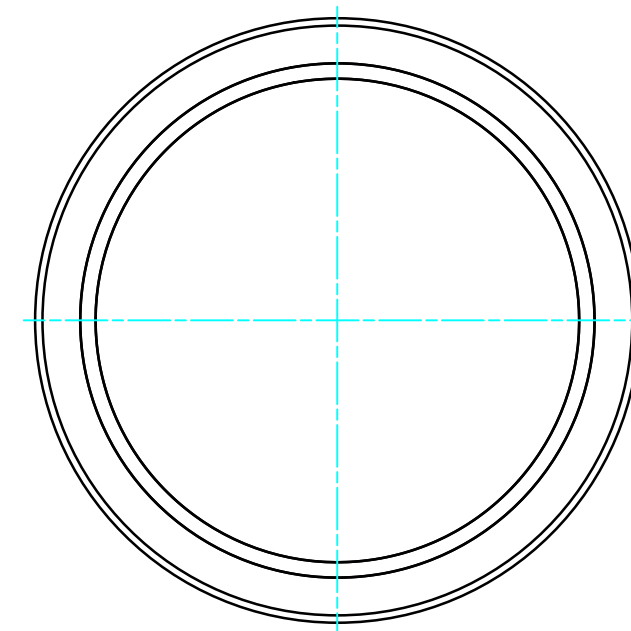
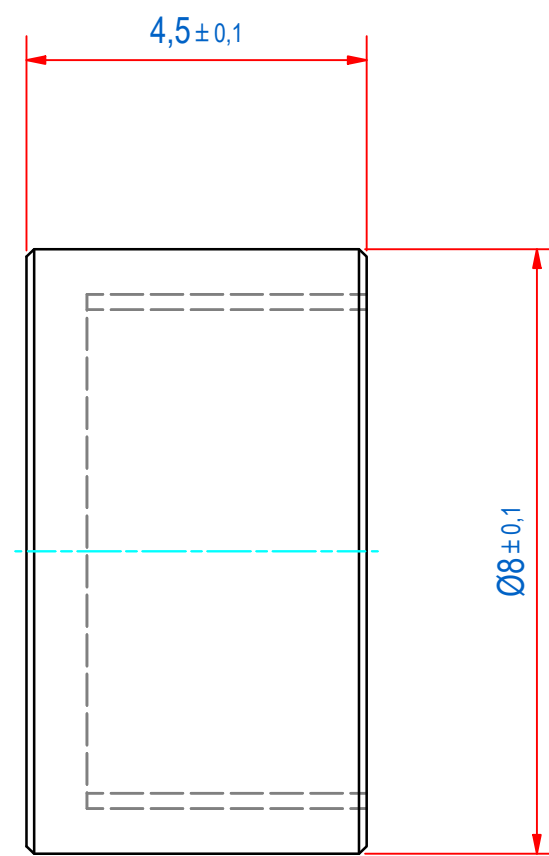
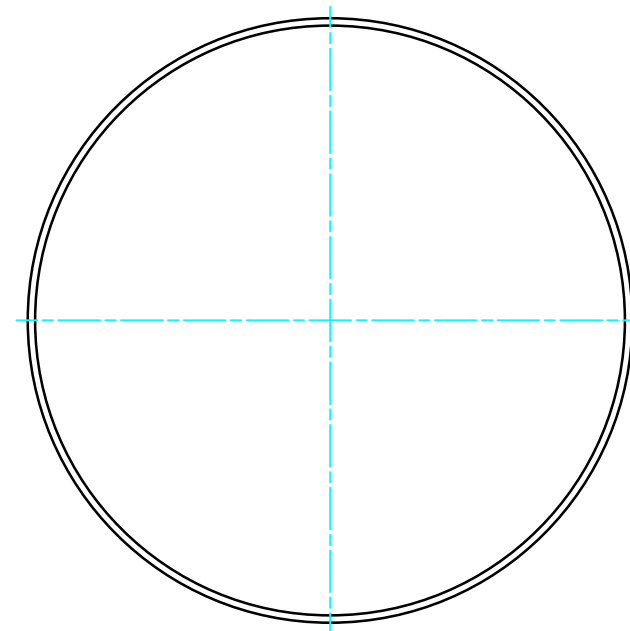
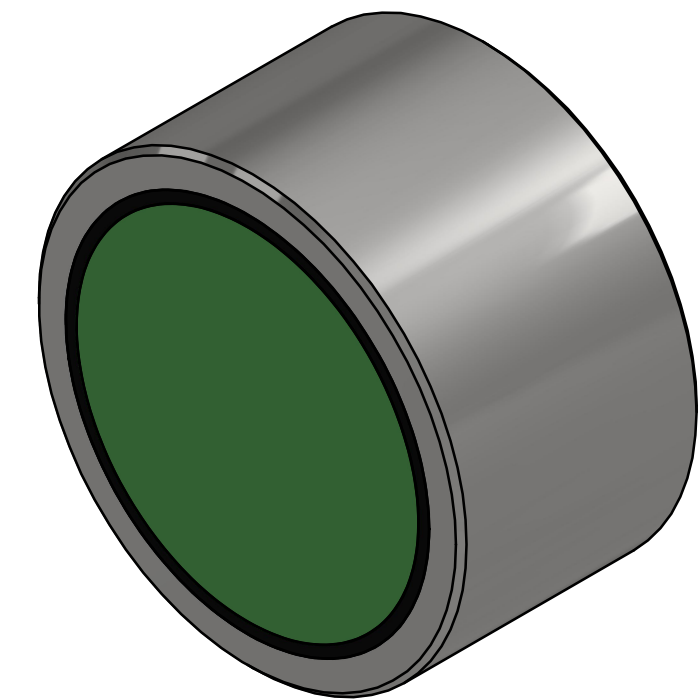
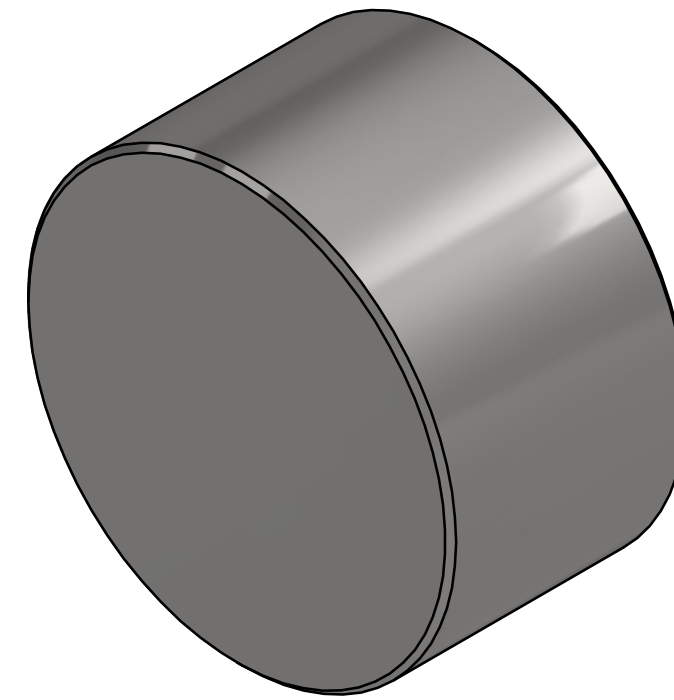


DOC.NR.	REV	DATE	BY	DESCRIPTION
E0121220	-	30-9-2019	PV	ORIGINAL DRAWING
E0121220	A	24-7-2020	TM	DIM. 4.5±0.1 WAS 4.5±0.2



SURFACE TREATMENT: ZINC PLATED

RAW MAT.	1	Quantity	Material Number	Material Description	Length (mm)	Width (mm)
Drawn:	PV	Weight (kg):	0,002	Extra info: POTMAGNE NEODYMIUM	General tolerance: ISO 2768- mK	
Date:	23-8-2019	GOUDSMIT MAGNETICS			Drawn according: ISO268; ISO1101; ISO2553	
Spare part:	False	Source:	POTGM	© All rights reserved. Reproduction is not permitted without written permission of GOUDSMIT Magnetic Systems BV	Status:	Standard
Quick search:	POTGM	Description:	PM-BA-N-SG-D8x4.5	Document number:	E0121220	Doc.Rev: A
				Part number:	GM17402	Rev: -