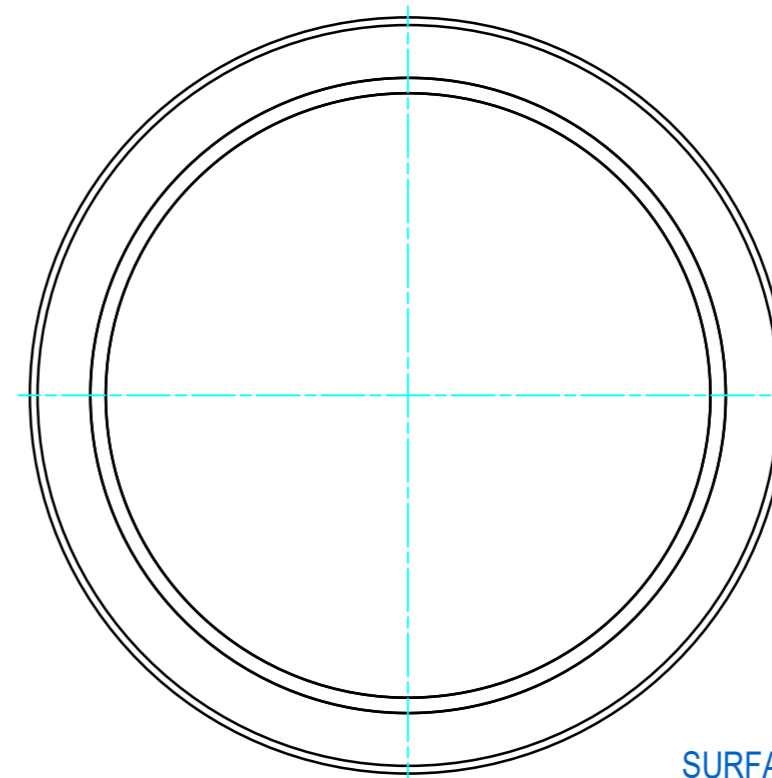
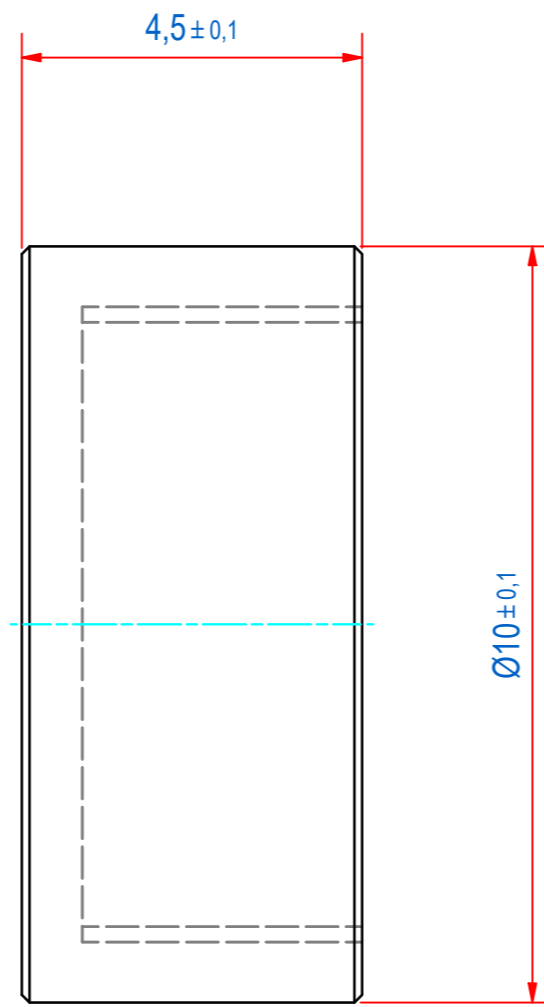
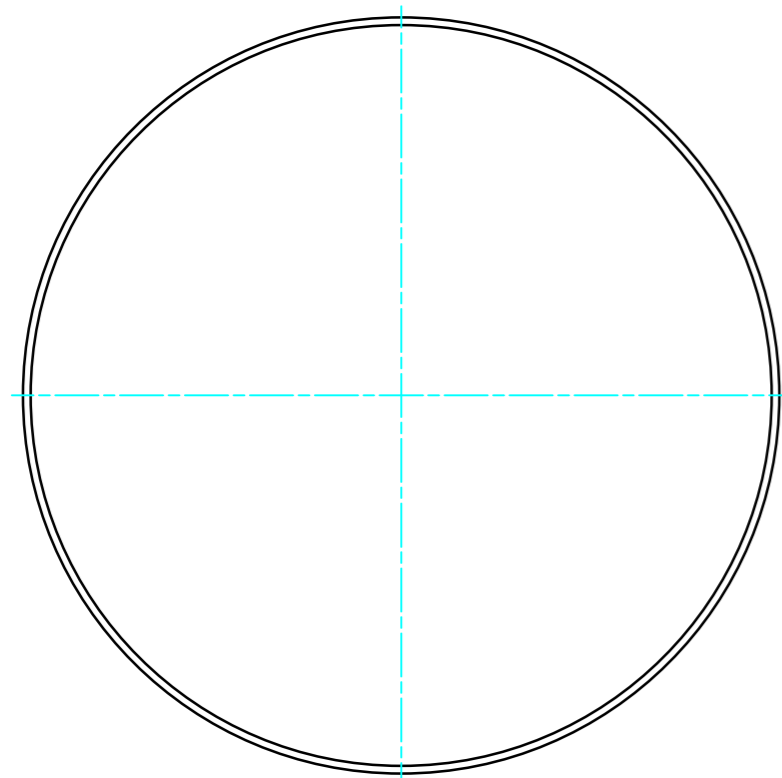
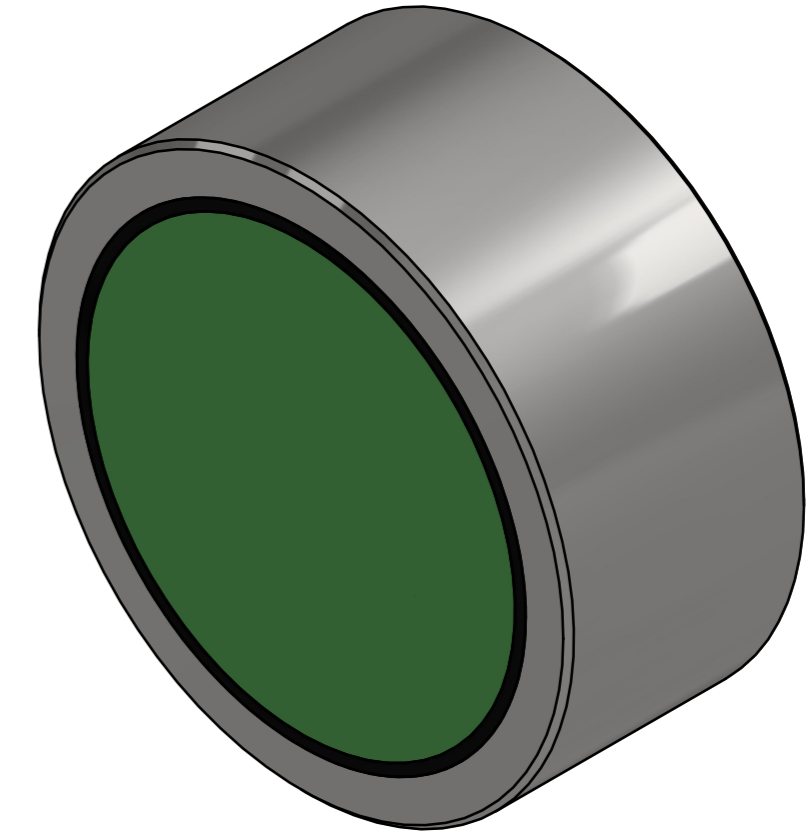
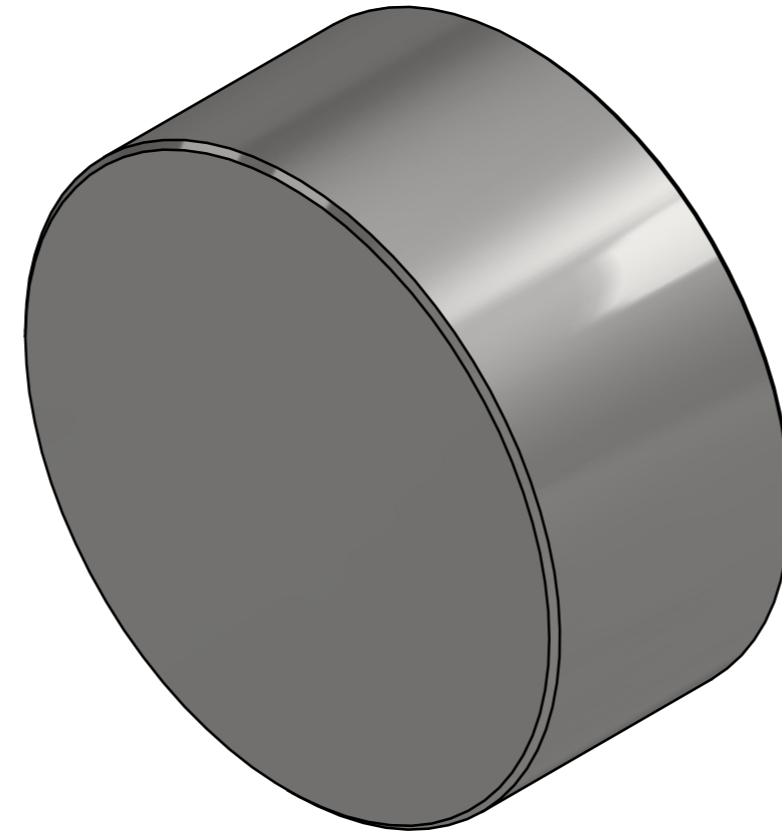



DOC.NR.	REV	DATE	BY	DESCRIPTION
E0121227	-	30-9-2019	PV	ORIGINAL DRAWING
E0121227	A	10-7-2020	TM	TOLERANCE 4.5±0.2 CORRECTED TO ±0.1 CUSTOMER REFERENCE AS TEXT ADDED



SURFACE TREATMENT: ZINC PLATED

RAW MAT.	1	Quantity	Material Number	Material Description	Length (mm)	Width (mm)	
Sheet:	A2	Extra info:	POTMAGNET NEODYMIUM			General tolerance:	ISO 2768- mK
Drawn:	PV	Weight (kg):	0,003			Drawn according:	ISO268; ISO1101; ISO2553
Date:	23-8-2019	Status:	Standard			Customer reference number:	F10-NdBv
Spare part:	False	Source:				Document number:	E0121227
Quick search:	POTGM	Description:	<small>© All rights reserved. Reproduction is not permitted without written permission of GOUDSMIT Magnetic Systems BV</small> PM-BA-N-SG-D10x4.5			Doc.Rev:	A
					Part number:	GM17403	
					Rev:	-	