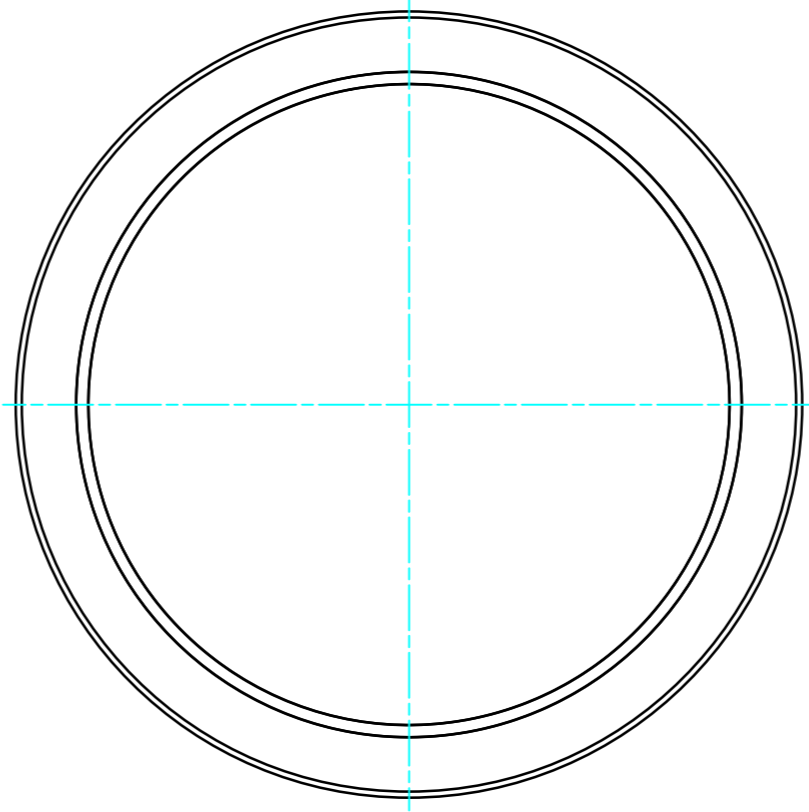
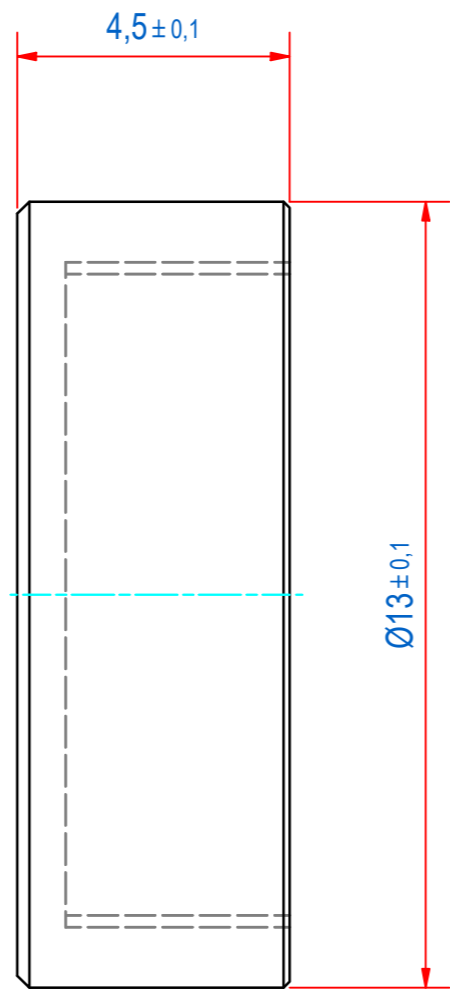
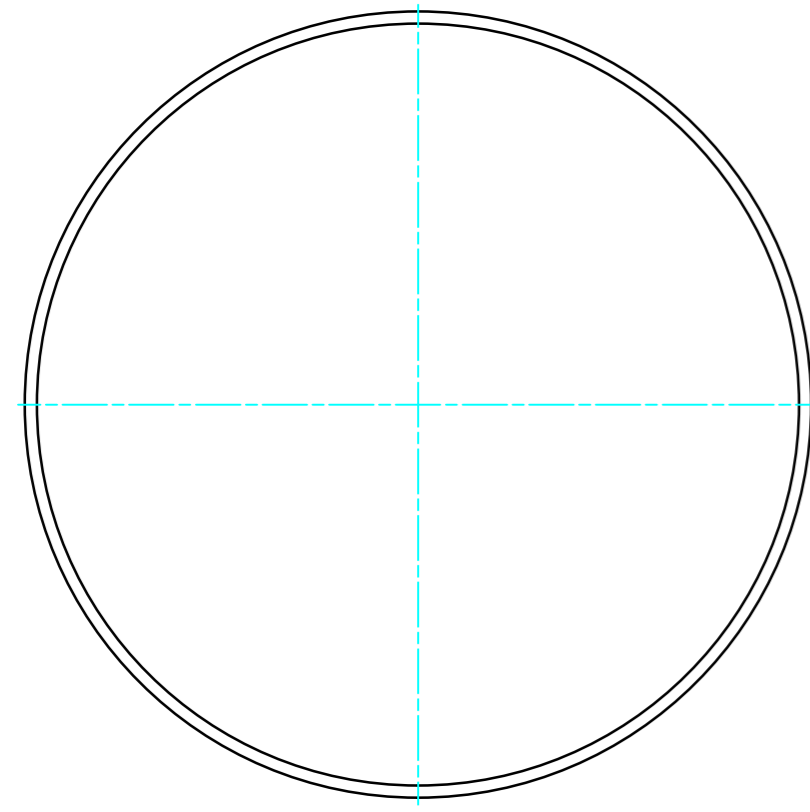
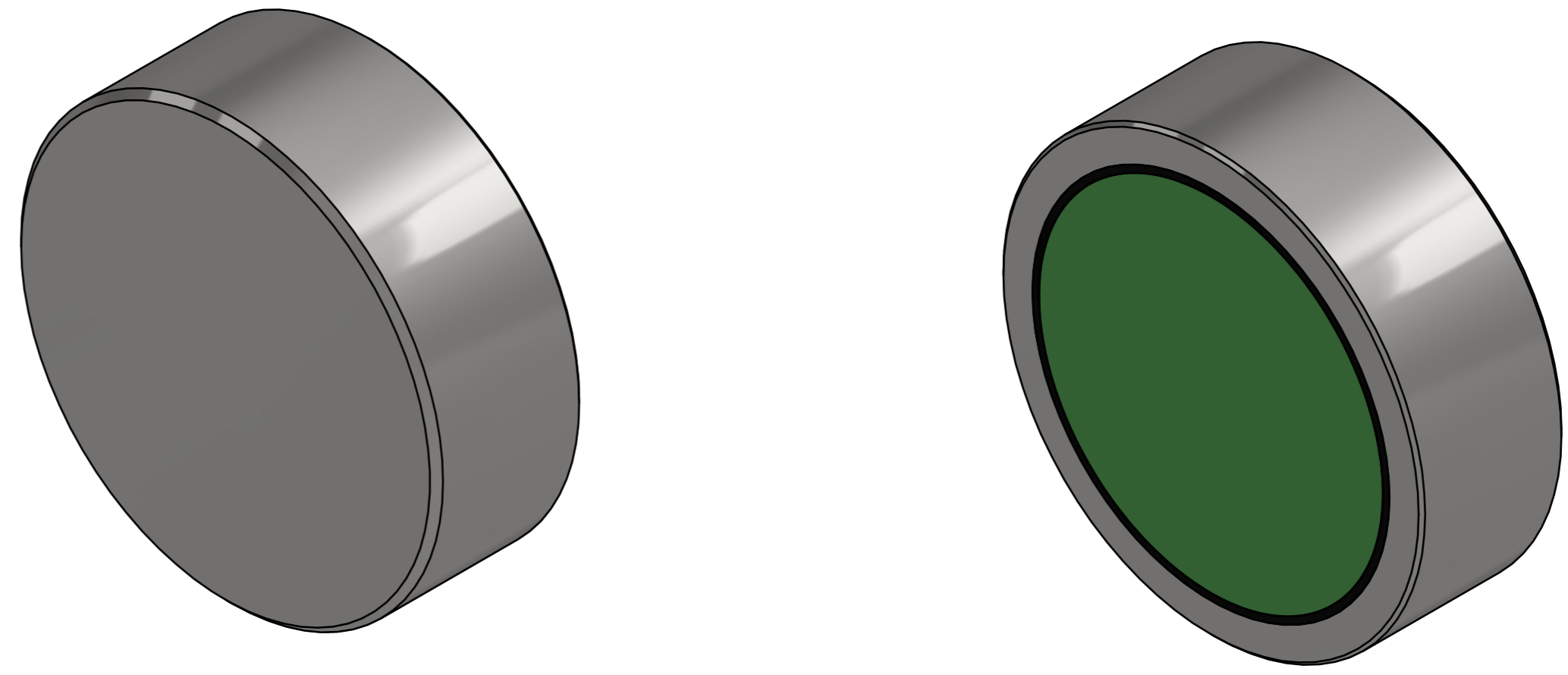


DOC.NR.	REV	DATE	BY	DESCRIPTION
E0121237	-	30-9-2019	PV	ORIGINAL DRAWING
E0121237	A	14-8-2020	TM	TOLERANCE CORRECTED



SURFACE TREATMENT: ZINC PLATED

RAW MAT.	1	Quantity	Material Number	Material Description	Length (mm)	Width (mm)
Symbol	Sheet: A2	Extra info: POTMAGNET NEODYMIUM	General tolerance: ISO 2768- mK		Drawn according: ISO268; ISO1101; ISO2553	
Drawn: PV	Weight (kg): 0,005	Date: 23-8-2019	Status: Standard		Customer reference number:	
Spare part: False	Source:			Document number: E0121237		Doc.Rev: A
Quick search: POTGM				Description: PM-BA-N-SG-D13x4.5		Part number: GM17404