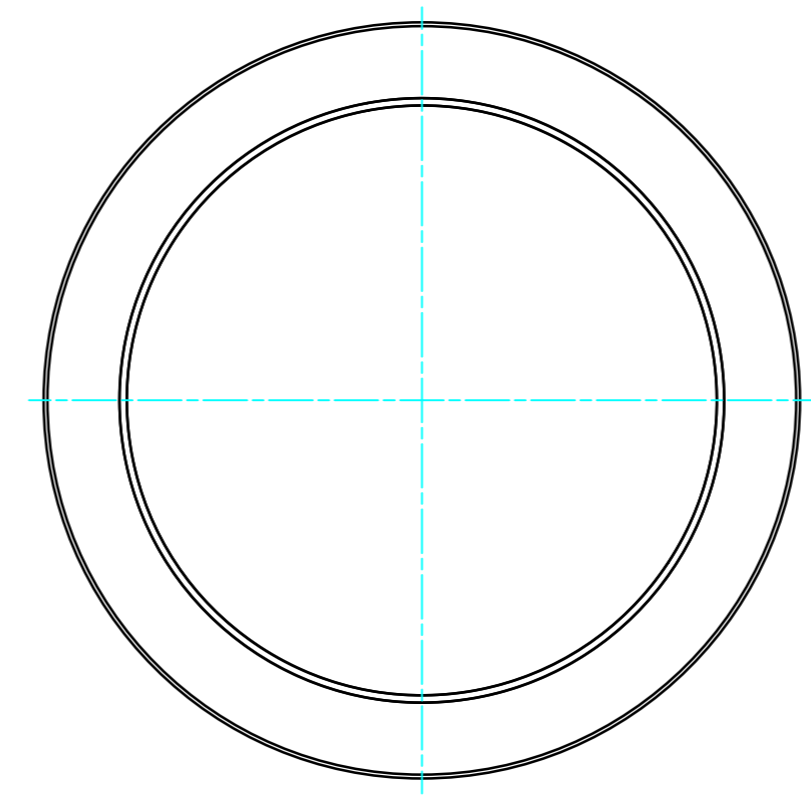
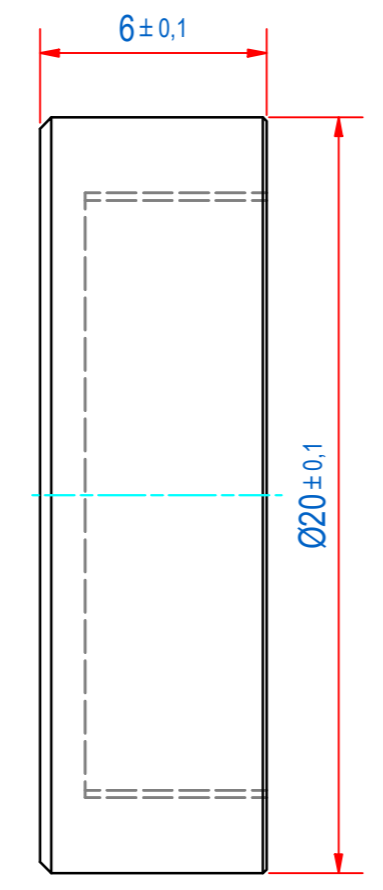
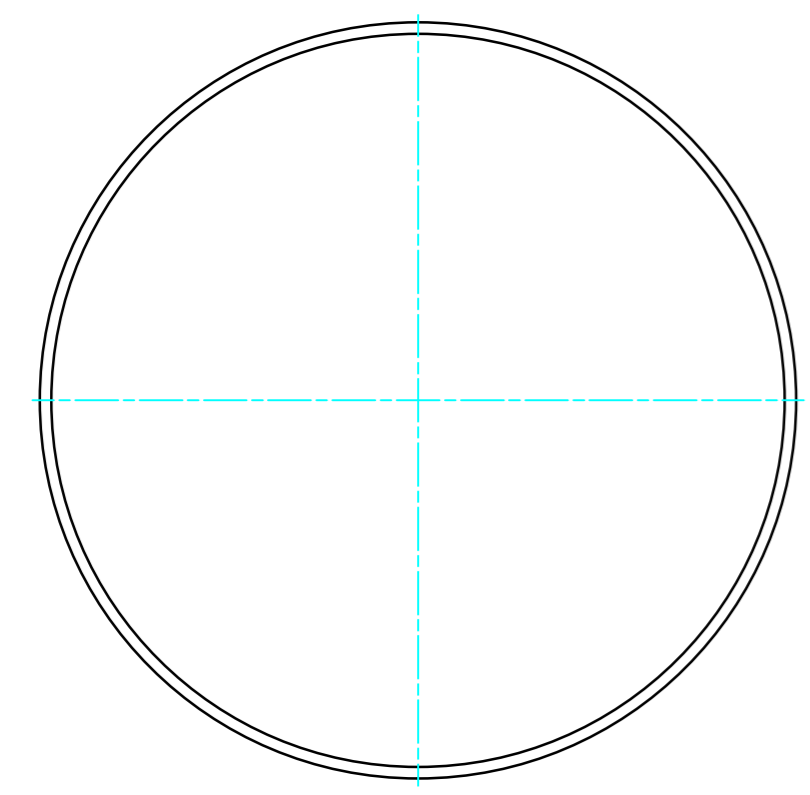
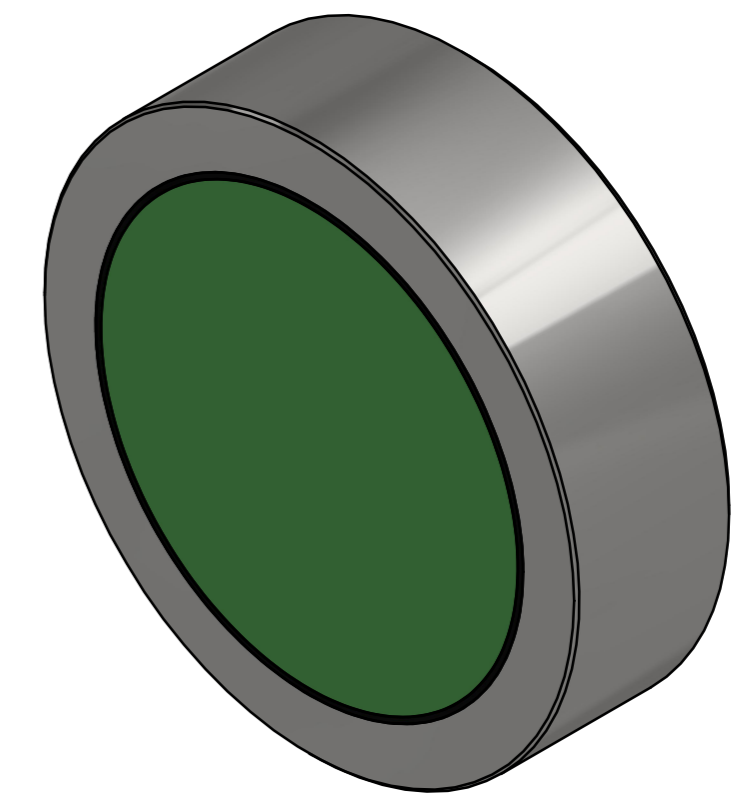
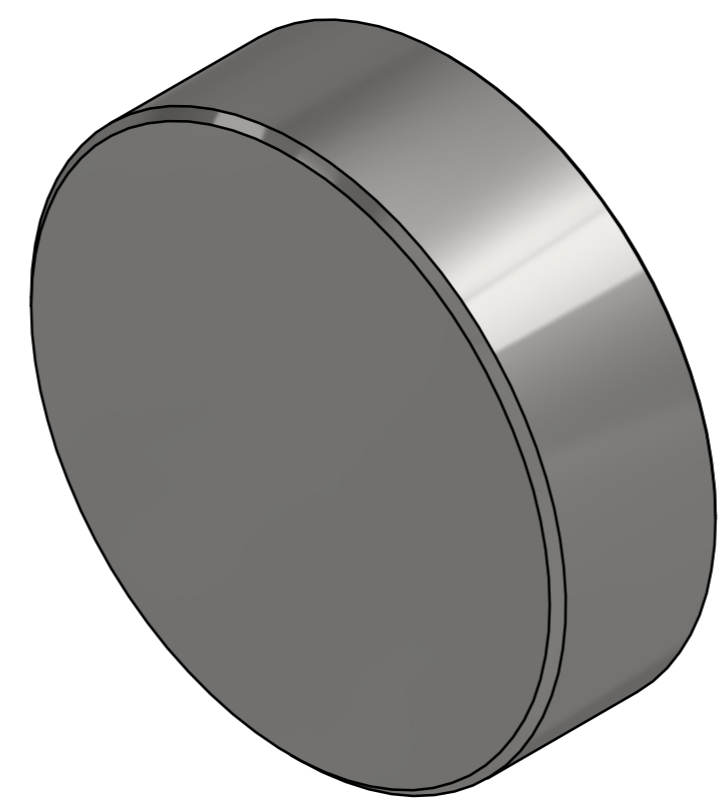


DOC.NR.	REV	DATE	BY	DESCRIPTION
E0121247	-	30-9-2019	PV	ORIGINAL DRAWING
E0121247	A	14-8-2020	TM	TOLERANCE CORRECTED



SURFACE TREATMENT: ZINC PLATED

RAW MAT.	1								
Quantity		Material Number		Material Description		Length (mm)		Width (mm)	
Sheet:	A2	Extra info:	POTMAGNET NEODYMIUM		General tolerance:		ISO 2768- mK		
Drawn:	PV	Weight (kg):	0,014		Drawn according:		ISO268; ISO1101; ISO2553		
Date:	23-8-2019				Status:		Standard		
Spare part:	False	Source:			Customer reference number:				
Quick search:	POTGM				Document number:		E0121247	Doc.Rev:	A
Description:	PM-BA-N-SG-D20x6				Part number:		GM17406	Rev:	-