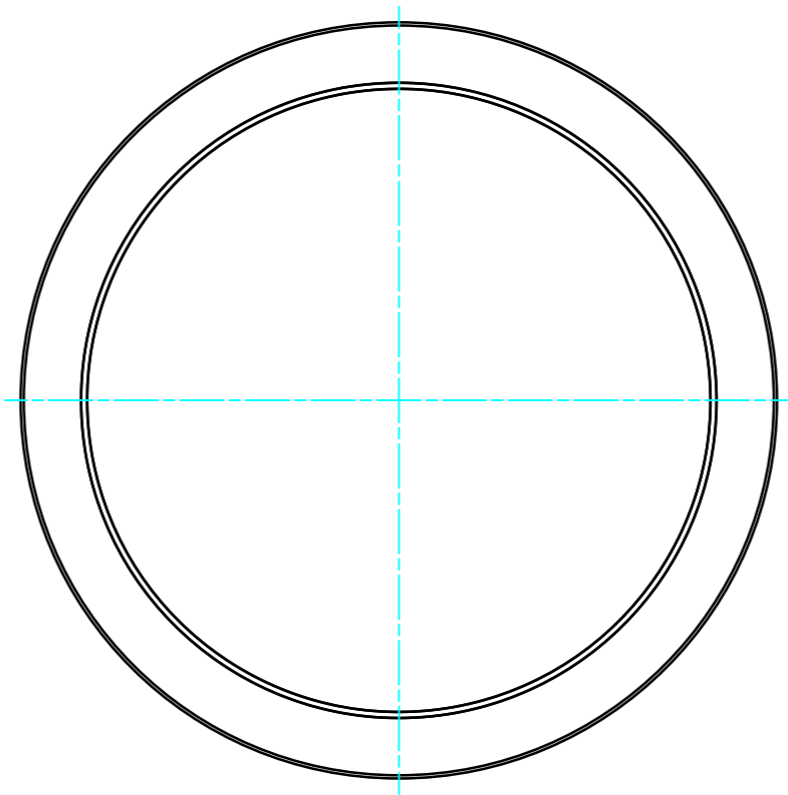
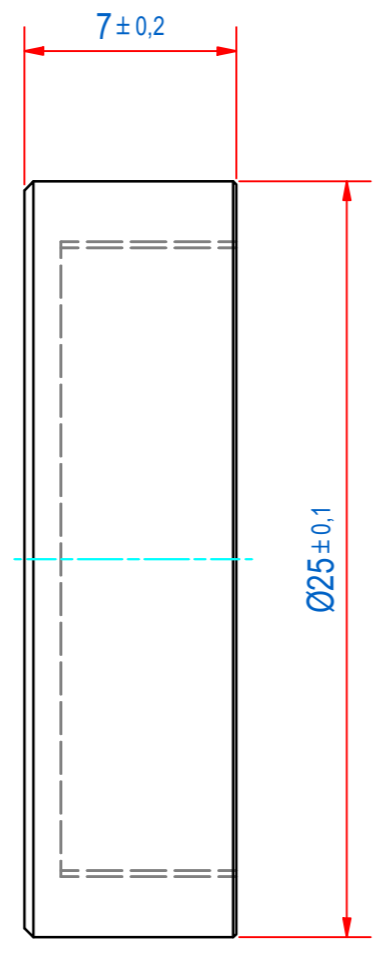
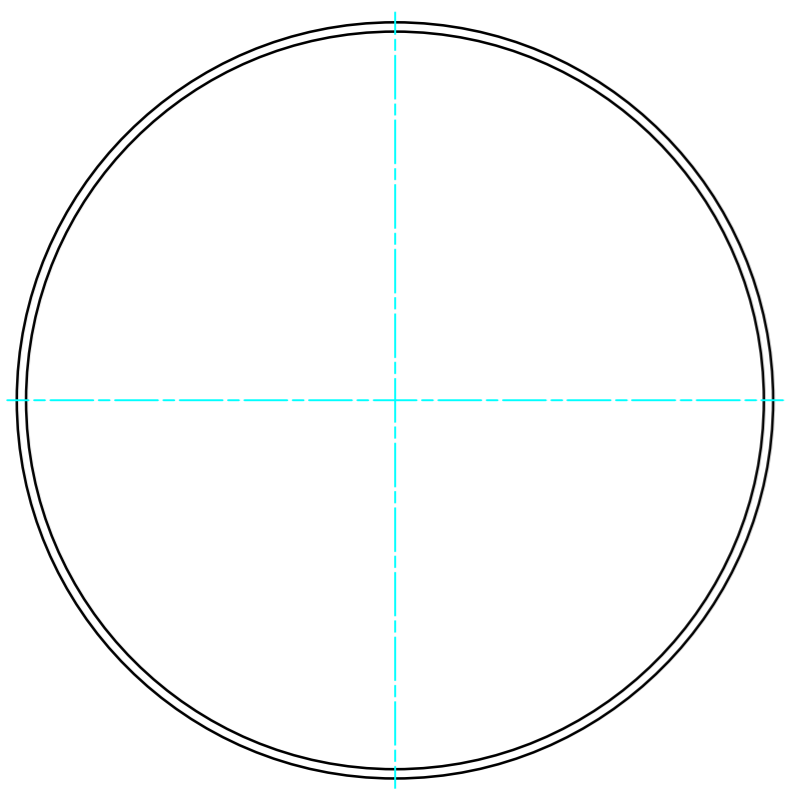
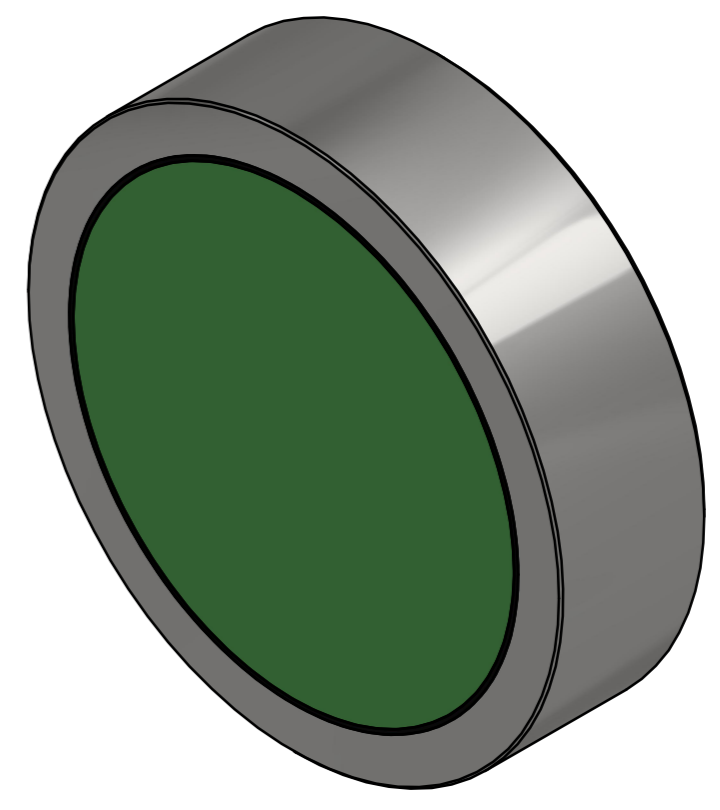
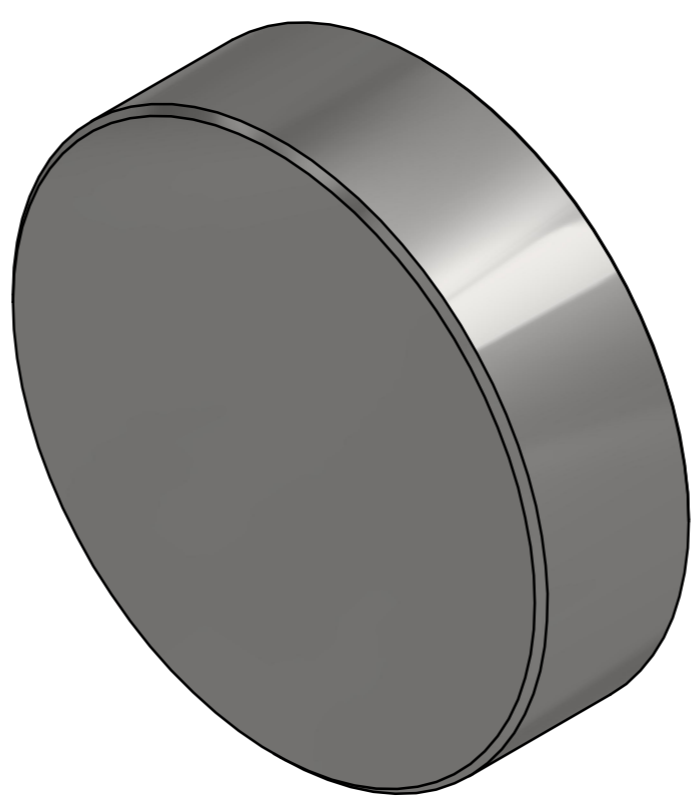


DOC.NR.	REV	DATE	BY	DESCRIPTION
E0121258	-	30-9-2019	PV	ORIGINAL DRAWING



SURFACE TREATMENT: ZINC PLATED

RAW MAT.	1	Quantity	Material Number	Material Description	Length (mm)	Width (mm)
Drawn:	PV	Sheet:	A2	Extra info: POTMAGNET NEODYMIUM	General tolerance: ISO 2768- mK	
Date:	23-8-2019	Weight (kg):	0,026		Drawn according: ISO268; ISO1101; ISO2553	
Spare part:	False	Source:			Status:	Standard
Quick search:	POTGM	© All rights reserved. Reproduction is not permitted without written permission of GOUDSMIT Magnetic Systems BV			Document number:	E0121258
Description:	PM-BA-N-SG-D25x7				Part number:	GM17407