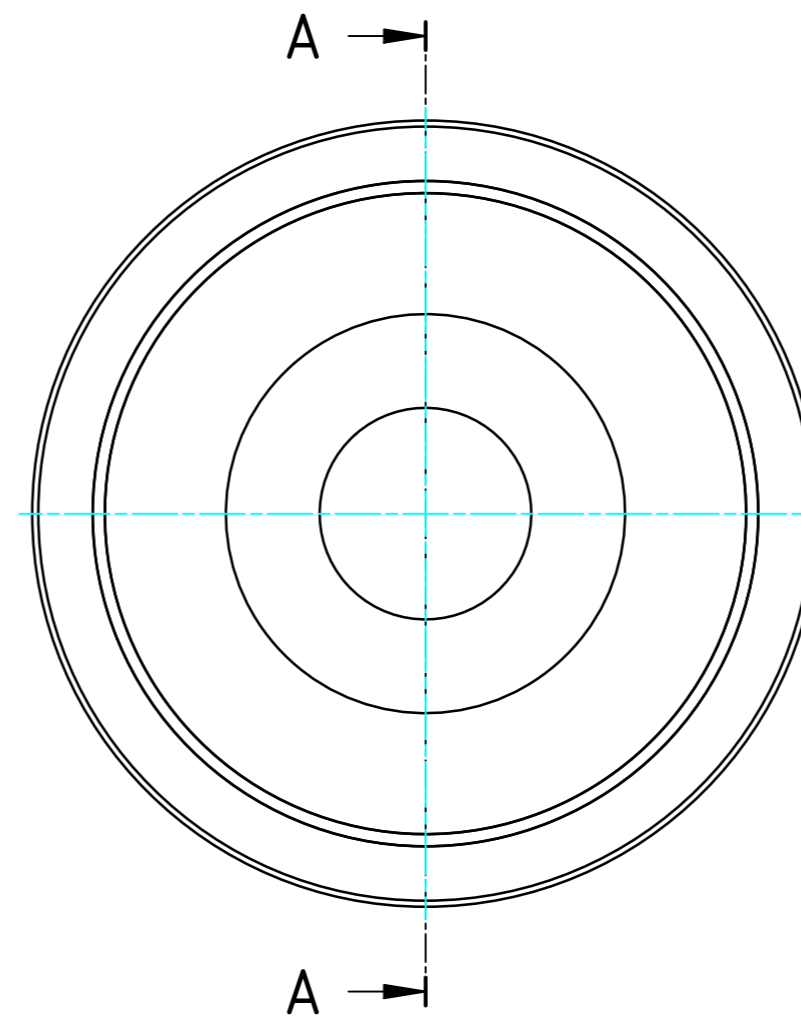
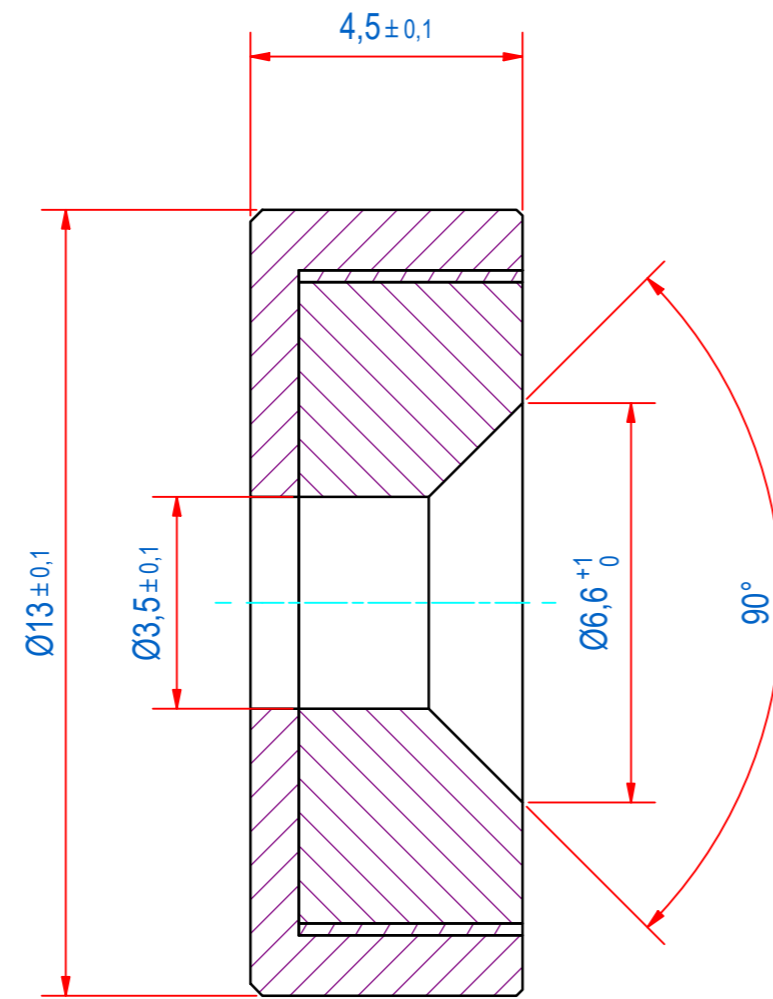
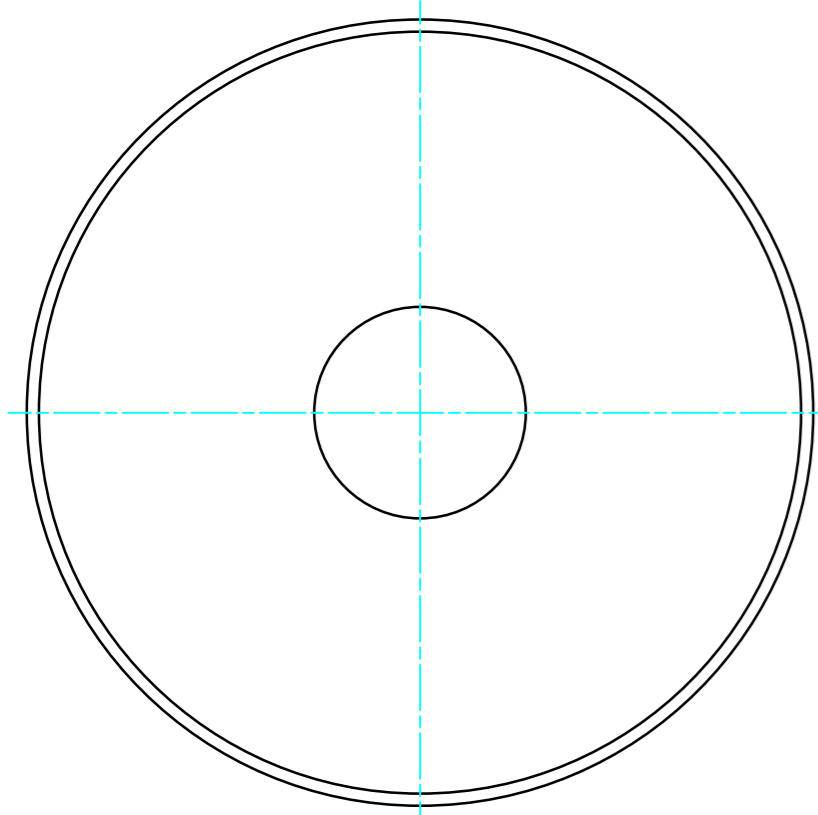
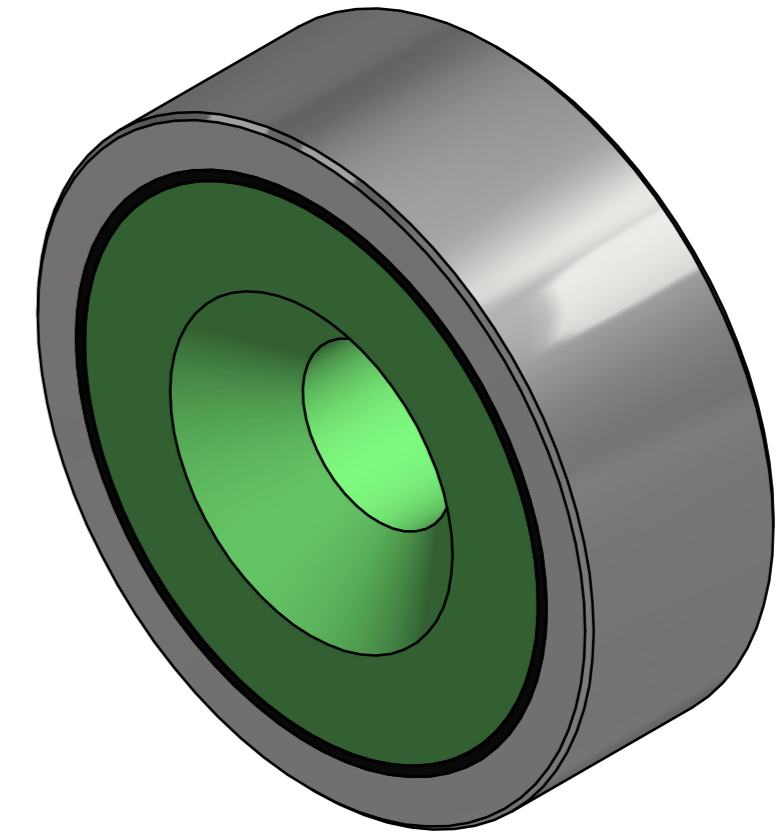
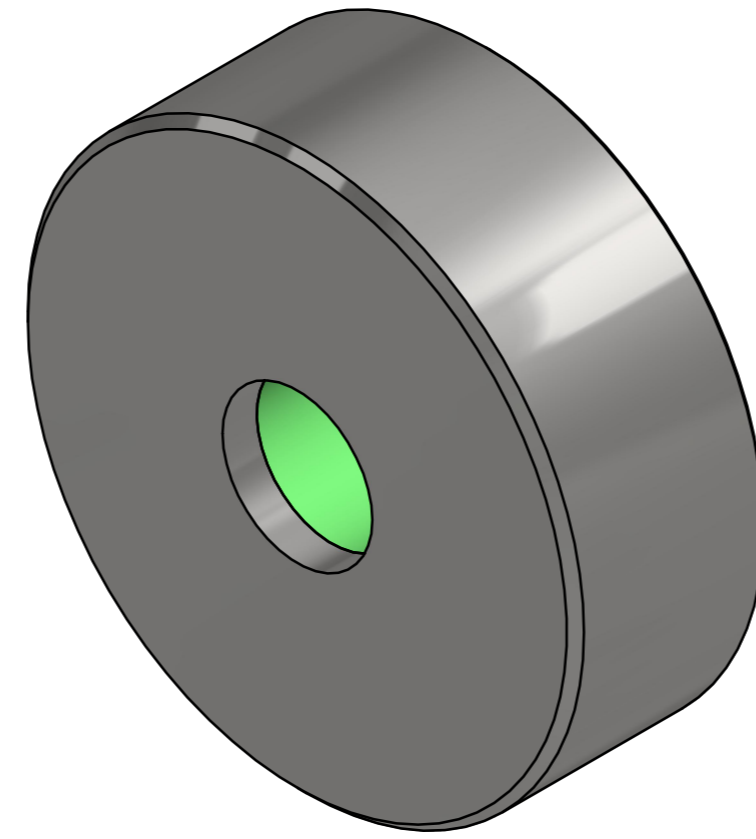


DOC.NR.	REV	DATE	BY	DESCRIPTION
E0121310	-	30-9-2019	PV	ORIGINAL DRAWING



SURFACE TREATMENT: ZINC PLATED

A-A

RAW MAT.	1	Quantity	Material Number	Material Description	Length (mm)	Width (mm)
Symbol	Sheet: A2	Extra info: POTMAGNET NEODYMIUM		General tolerance: ISO 2768- mK		
Drawn: PV	Weight (kg): 0,004	Date: 23-8-2019		Drawn according: ISO268; ISO1101; ISO2553		
Spare part: False	Source:	Quick search: POTGM		Status: Standard		
Description: PM-HS-N-SG-D13x4.5xd3.5/6.6		GOUDSMIT MAGNETICS		Customer reference number:		
		© All rights reserved. Reproduction is not permitted without written permission of GOUDSMIT Magnetic Systems BV		Document number: E0121310 Doc.Rev: -		
				Part number: GM17424 Rev: -		