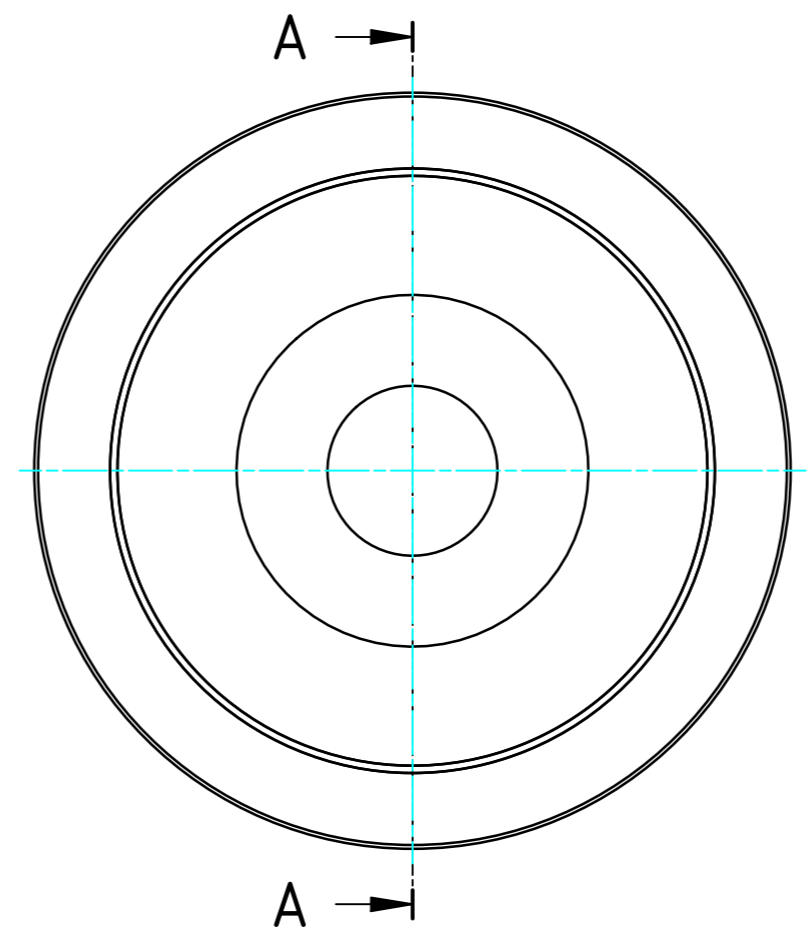
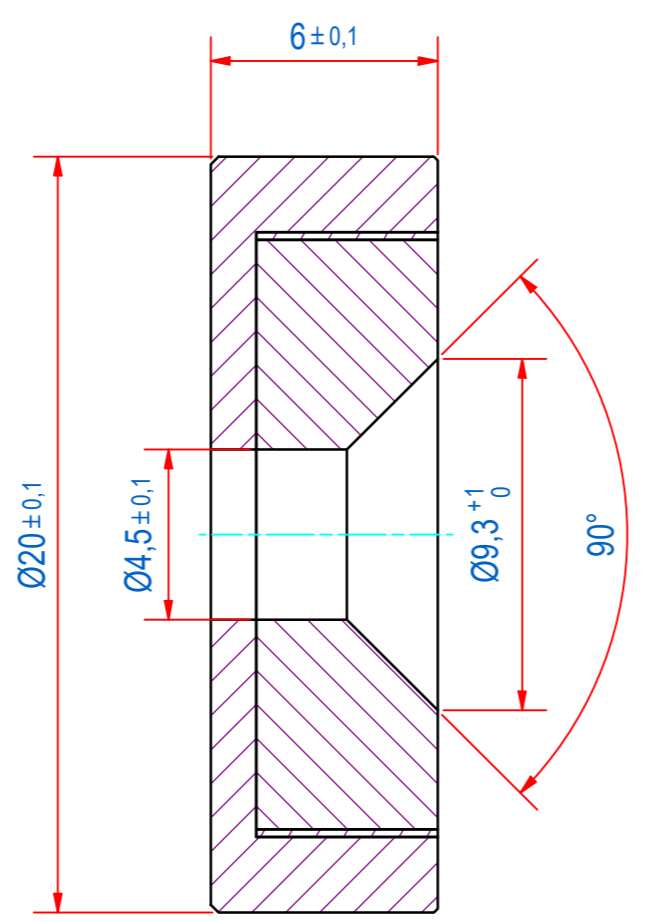
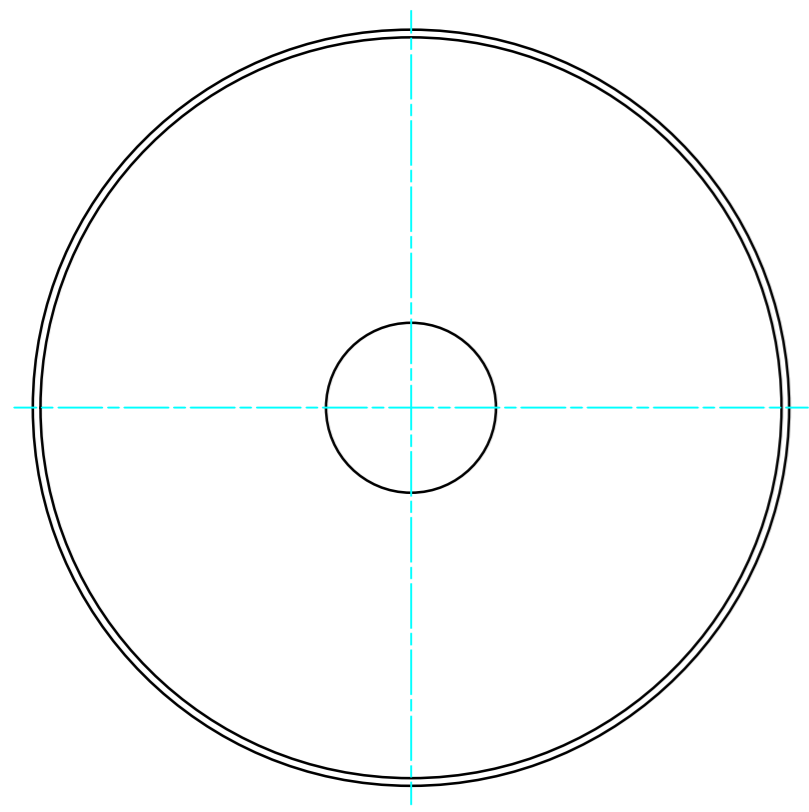
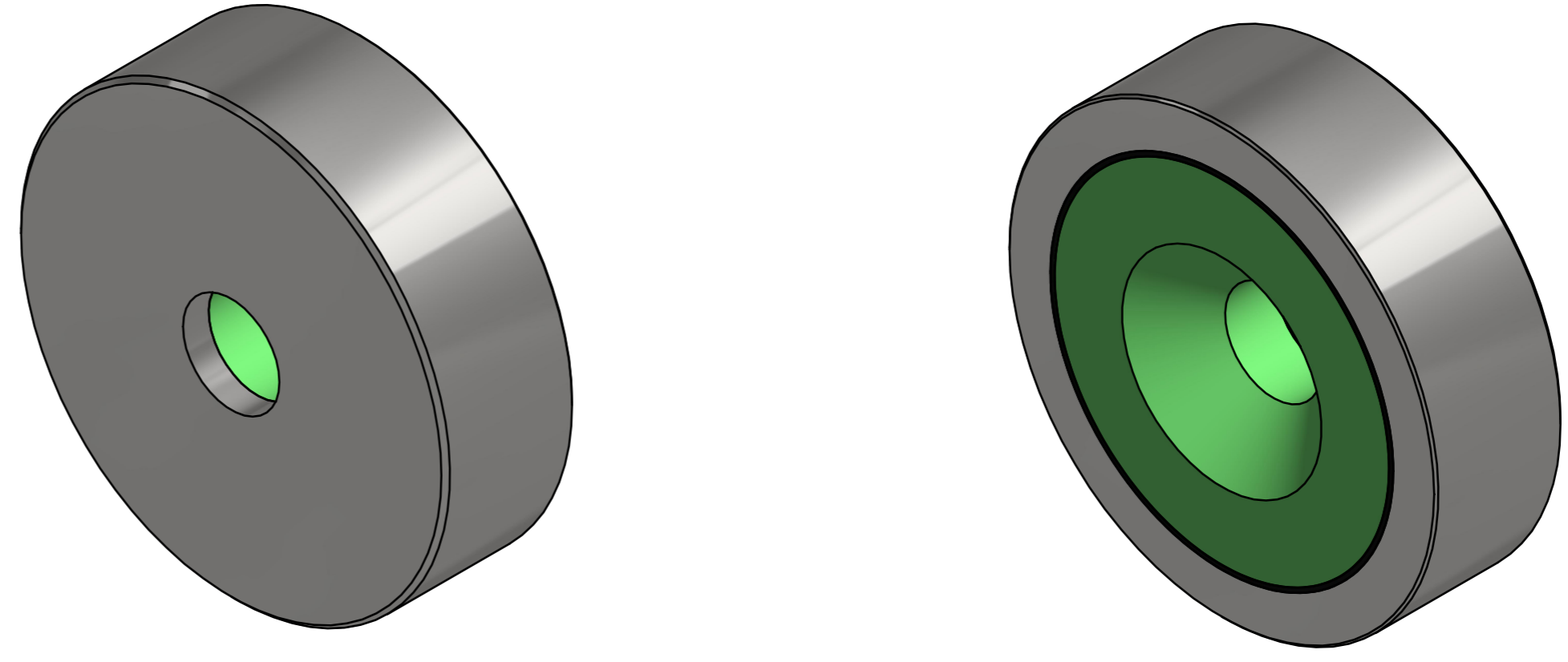


DOC.NR.	REV	DATE	BY	DESCRIPTION
E0121336	-	30-9-2019	PV	ORIGINAL DRAWING



SURFACE TREATMENT: ZINC PLATED

RAW MAT.	1								
Quantity		Material Number		Material Description		Length (mm)		Width (mm)	
Sheet:	A2	Extra info: POTMAGNET NEODYMIUM		General tolerance: ISO 2768- mK					
Drawn:	PV	Weight (kg):	0,013	Drawn according: ISO268; ISO1101; ISO2553					
Date:	26-8-2019	Status: Standard							
Spare part:	False	Customer reference number:							
Quick search:	POTGM			Document number: E0121336		Doc.Rev: -			
Description:	PM-HS-N-SG-D20x6xd4.5/9.3			Part number: GM17426		Rev: -			