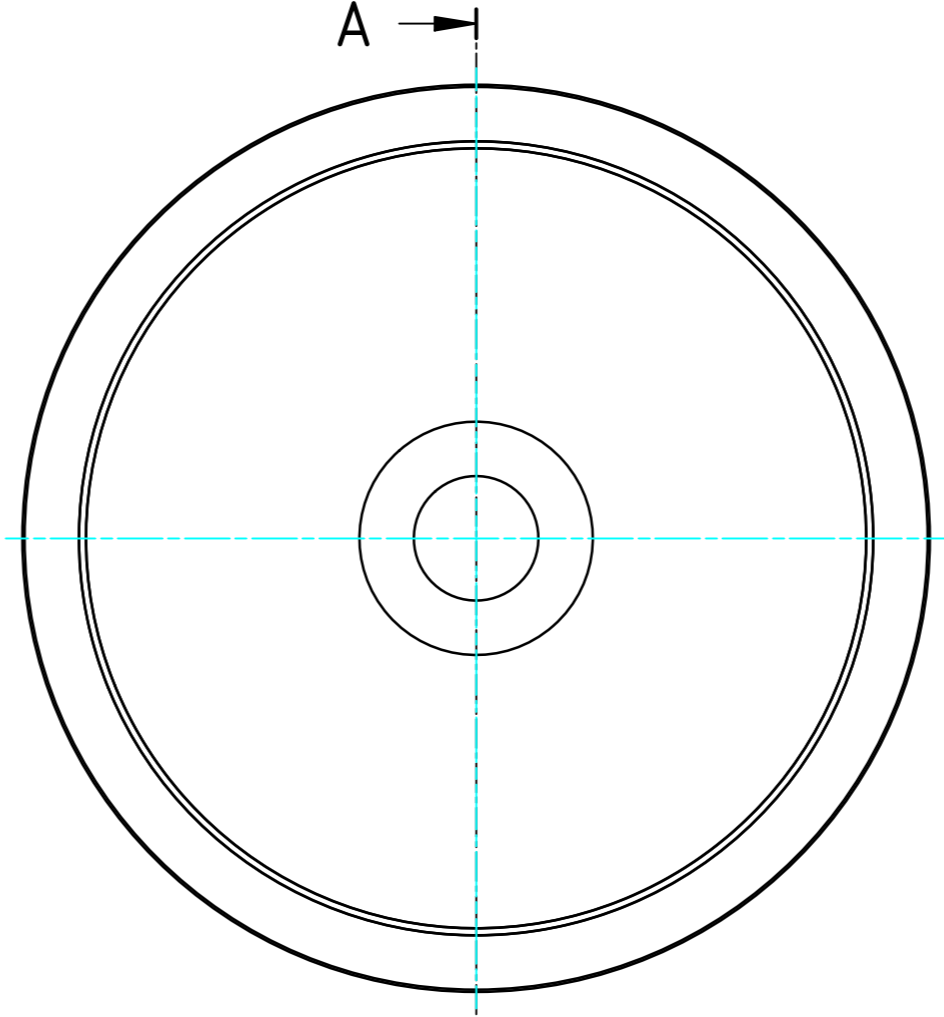
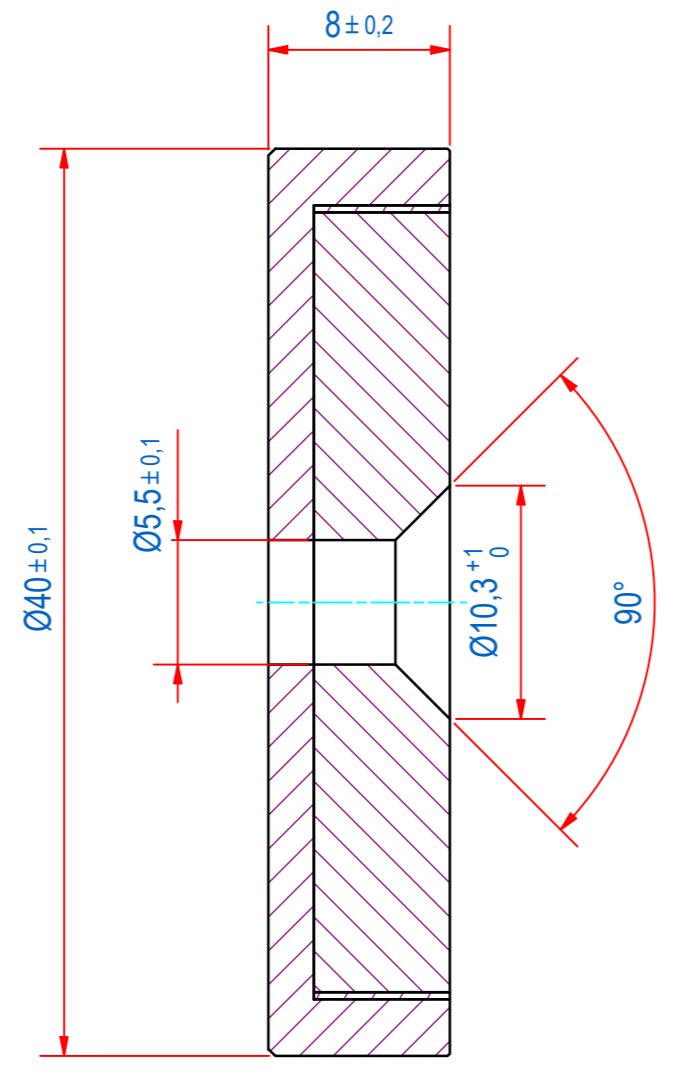
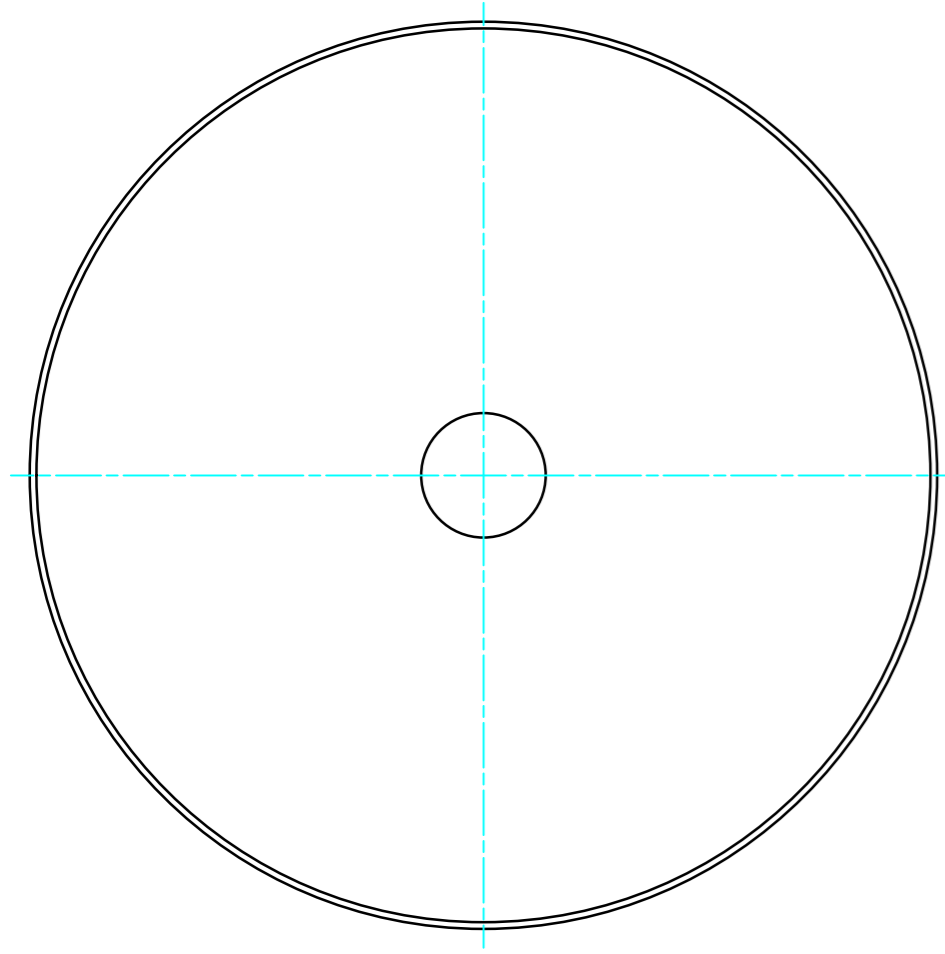
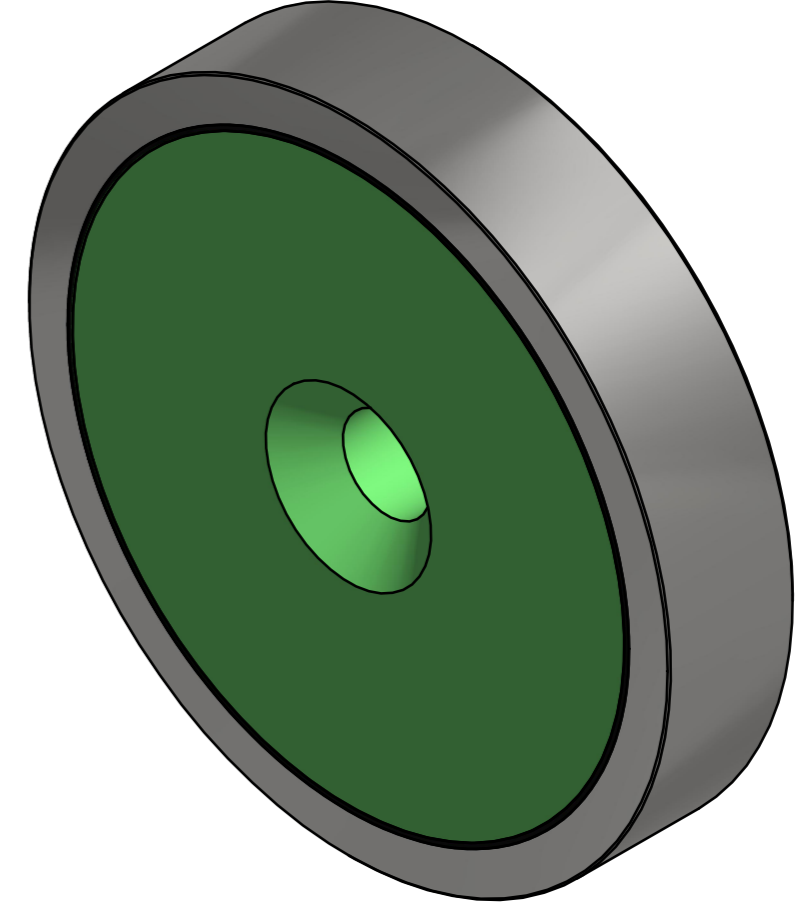
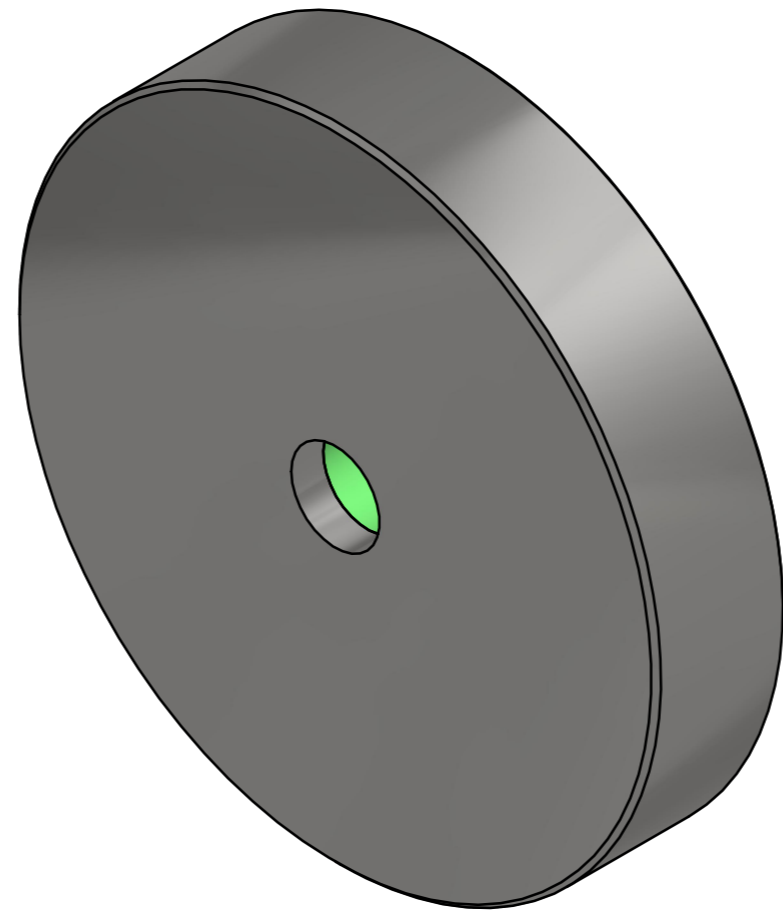


DOC.NR.	REV	DATE	BY	DESCRIPTION
E0121379	-	30-9-2019	PV	ORIGINAL DRAWING



SURFACE TREATMENT: ZINC PLATED

RAW MAT.	1	Quantity	Material Number	Material Description	Length (mm)	Width (mm)
Symbol	Sheet: A2	Extra info:	POTMAGNET NEODYMIUM		General tolerance: ISO 2768- mK	
Drawn: PV	Weight (kg): 0,076	Date:	26-8-2019		Drawn according: ISO268; ISO1101; ISO2553	
Spare part: False	Source:	Date:	26-8-2019		Status: Standard	
Quick search: POTGM	Description:		PM-HS-N-SG-D40x8xd5,5/10.3		Customer reference number:	Doc.Rev: E0121379
						Part number: GM17429
				<small>© All rights reserved. Reproduction is not permitted without written permission of GOUDSMIT Magnetic Systems BV</small>		Rev: -