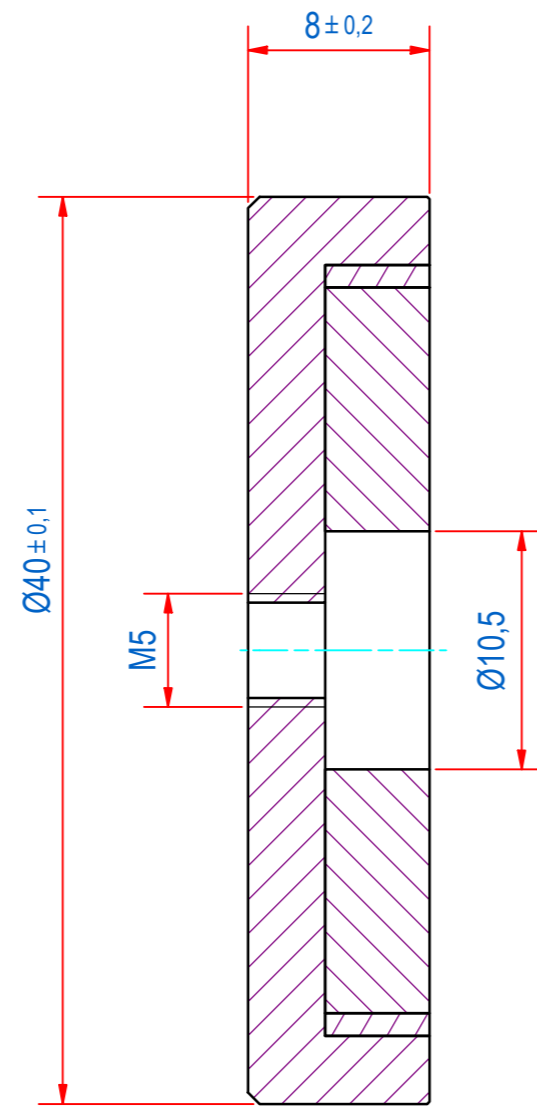
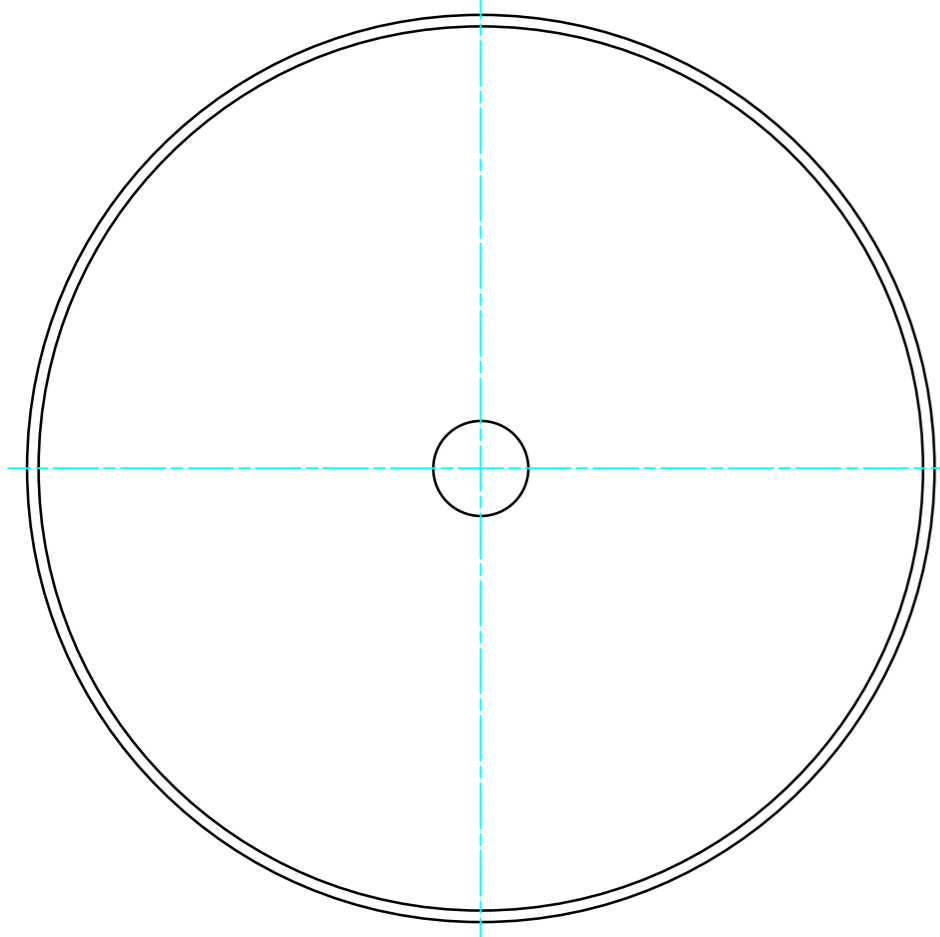
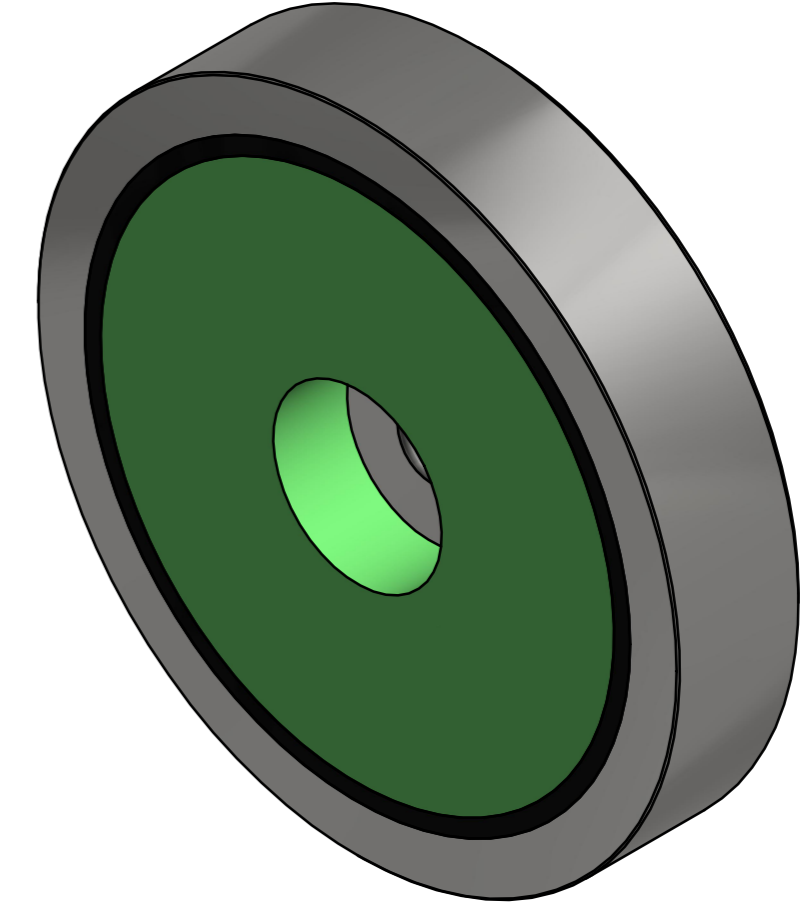
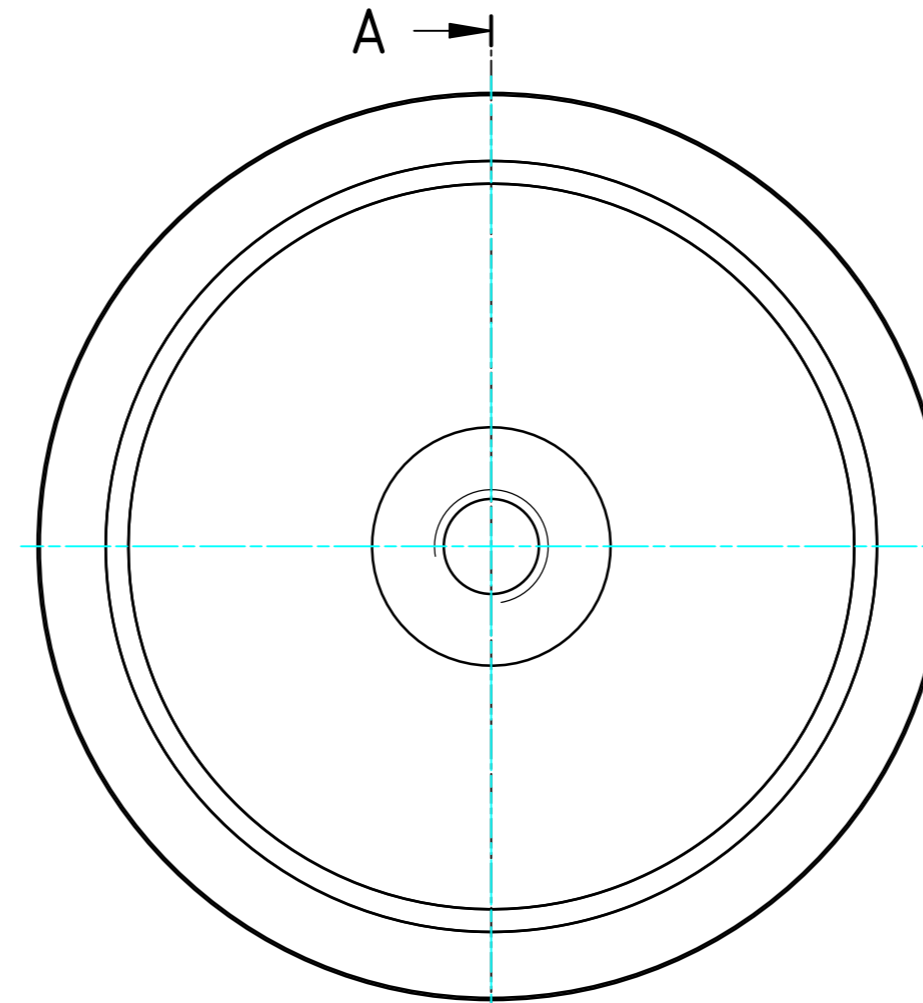


DOC.NR.	REV	DATE	BY	DESCRIPTION
E0120924	-	1-10-2019	PV	ORIGINAL DRAWING



A-A



SURFACE TREATMENT: ZINC PLATED

RAW MAT.	1	Quantity	Material Number	Material Description	Length (mm)	Width (mm)
Symbol	Sheet: A2	Extra info: POTMAGNET NEODYMIUM	General tolerance: ISO 2768- mK			
Drawn: PV	Weight (kg): 0,072	Drawn according: ISO268; ISO1101; ISO2553		Status: Standard		
Date: 19-8-2019	Source:	GOUDSMIT MAGNETICS		Customer reference number:		
Spare part: False	Quick search: POTGM	© All rights reserved. Reproduction is not permitted without written permission of GOUDSMIT Magnetic Systems BV		Document number: E0120924	Doc.Rev: -	
Description: PM-TI-N-SG-D40x8xM5	Part number: GM17439		Rev: -			