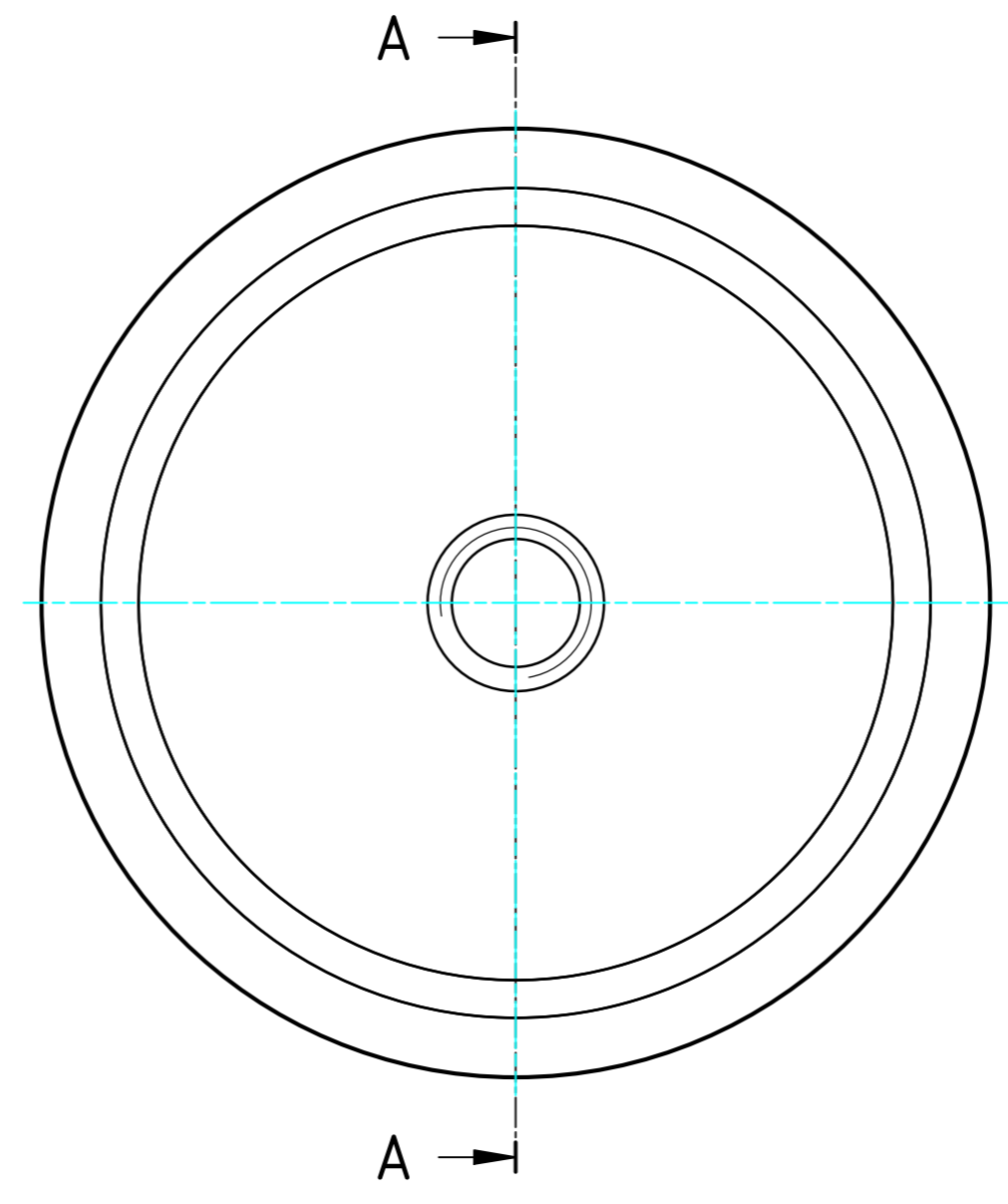
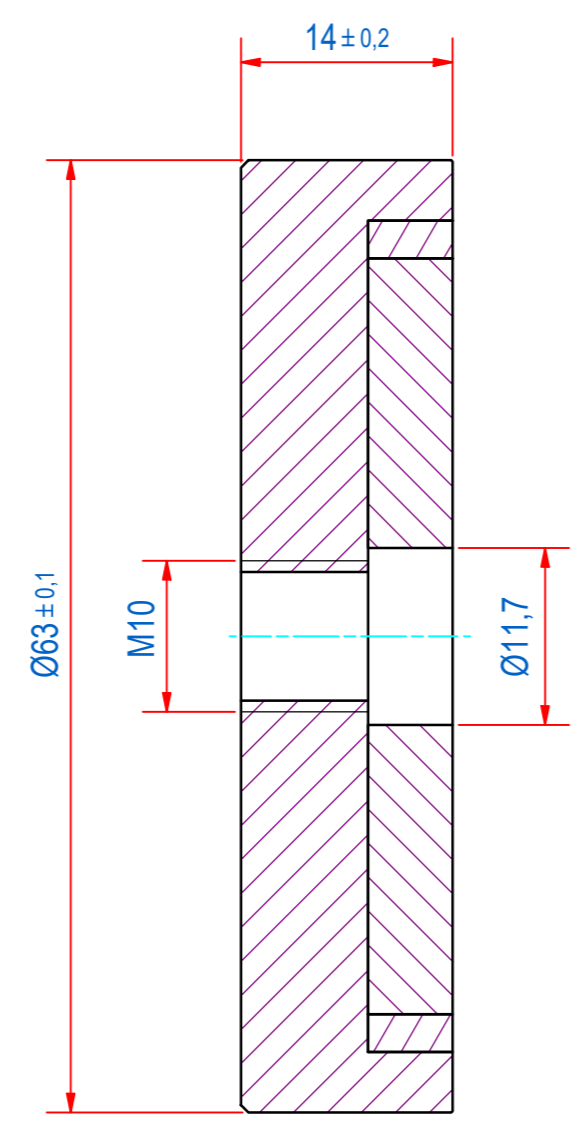
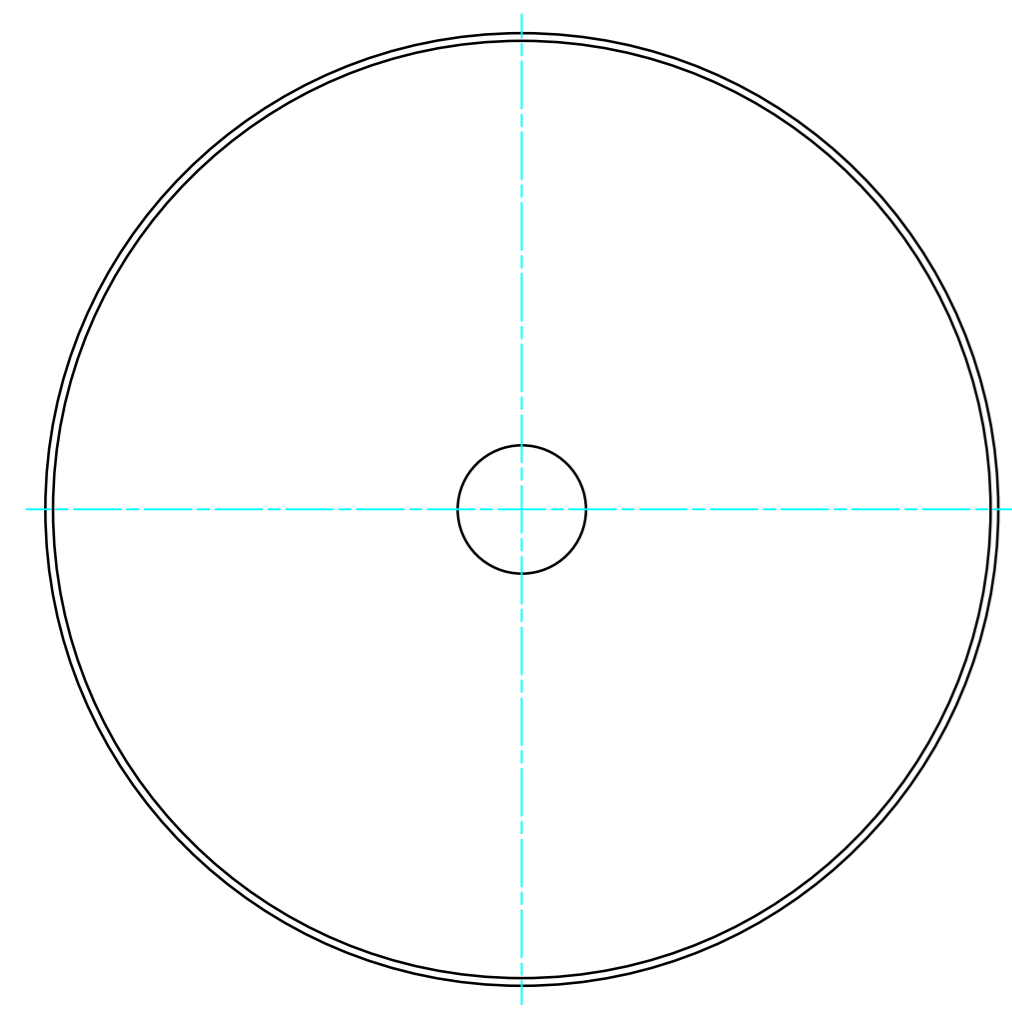
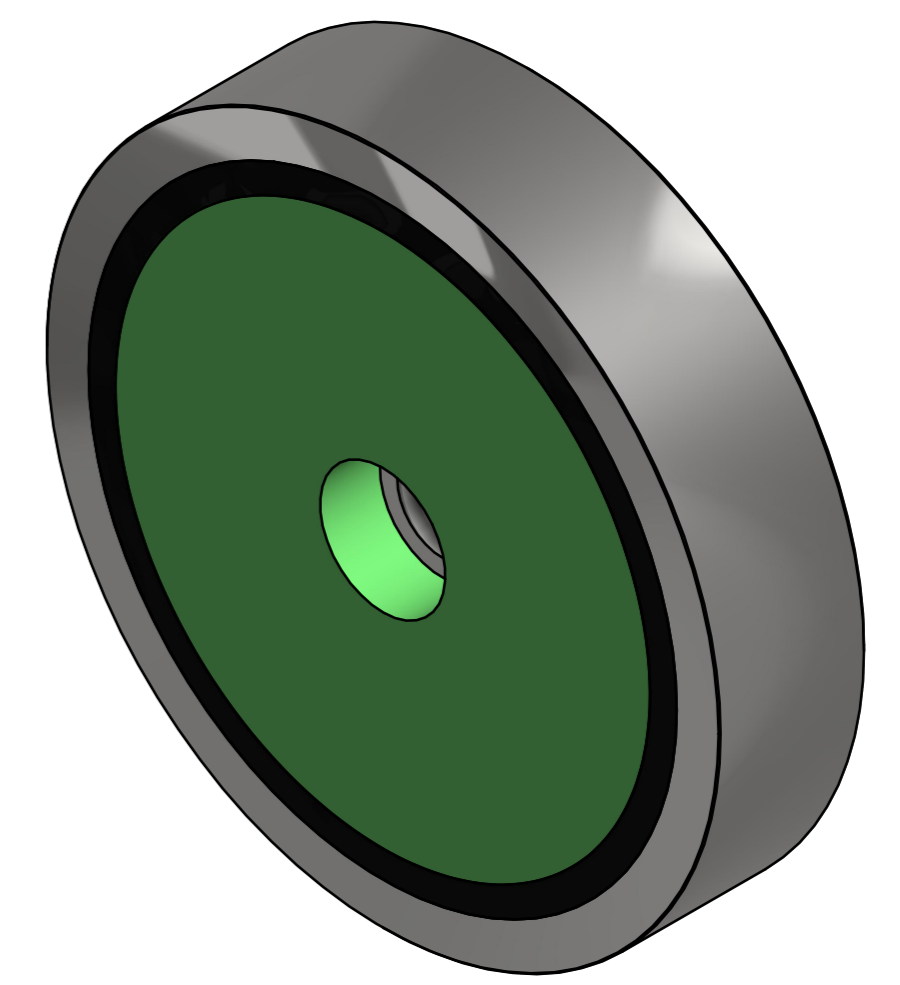


| DOC.NR. | REV | DATE | BY | DESCRIPTION |
|----------|-----|-----------|----|------------------|
| E0121007 | - | 1-10-2019 | PV | ORIGINAL DRAWING |



SURFACE TREATMENT: ZINC PLATED

| | | | | | |
|---------------|-----------------------|-------------------|---|---|------------|
| RAW MAT. | Quantity | Material Number | Material Description | Length (mm) | Width (mm) |
| 1 | | | | | |
| Sheet: | A2 | | Extra info: POTMAGNET NEODYMIUM | General tolerance: ISO 2768- mK | |
| Drawn: | PV | Weight (kg): 0,32 | | Drawn according: ISO268; ISO1101; ISO2553 | |
| Date: | 21-8-2019 | | | Status: Standard | |
| Spare part: | False | | | Customer reference number: | |
| Quick search: | POTGM | | © All rights reserved. Reproduction is not permitted without written permission of GOUDSMIT Magnetic Systems BV | Document number: E0121007 | Doc.Rev: - |
| Description: | PM-TI-N-SG-D63x14xM10 | | | Part number: GM17442 | Rev: - |