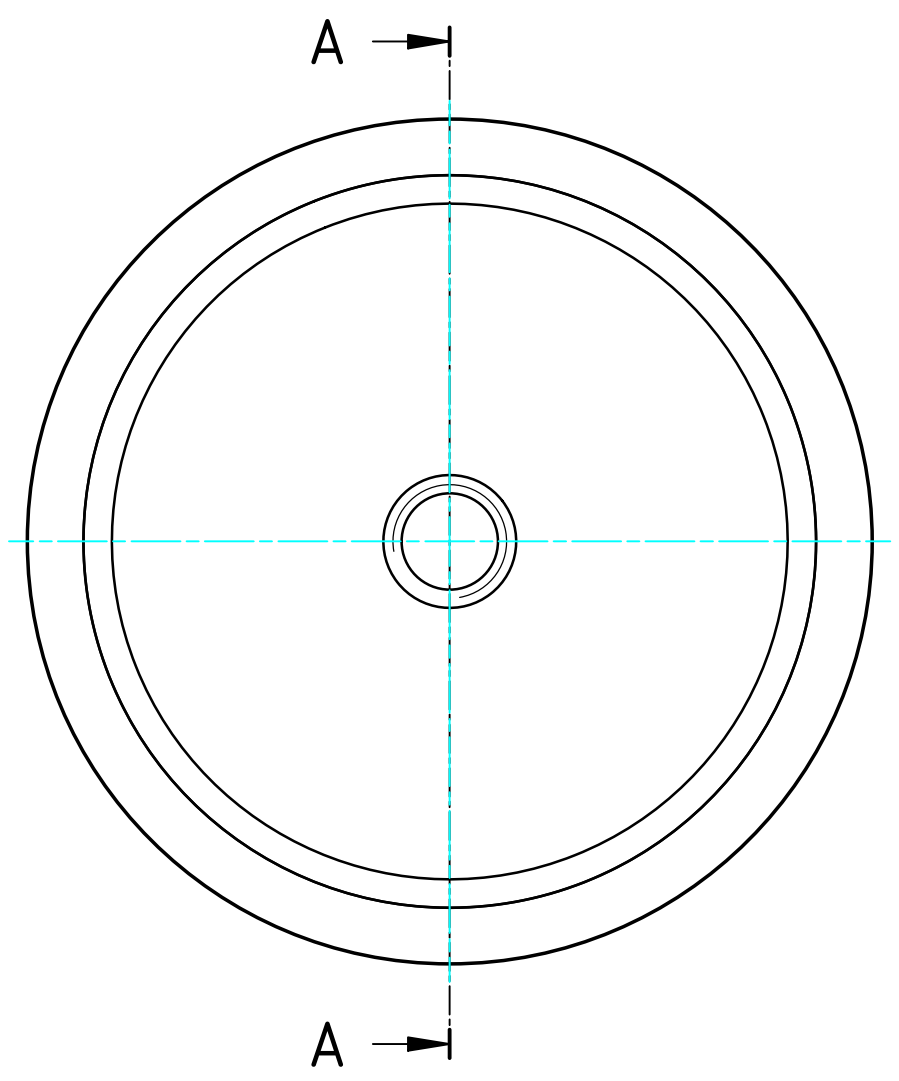
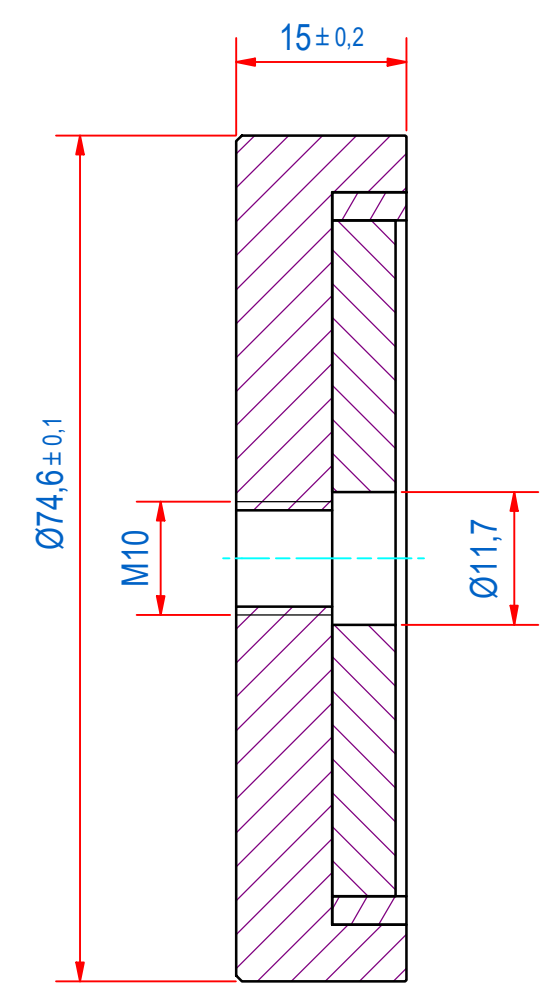
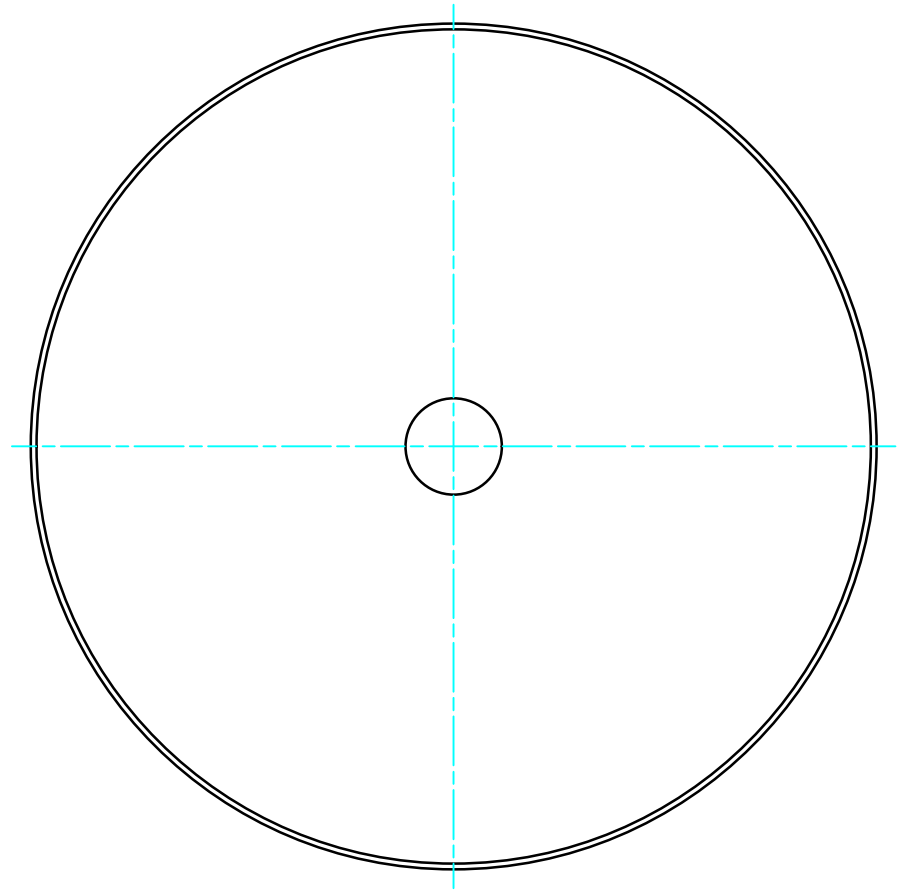
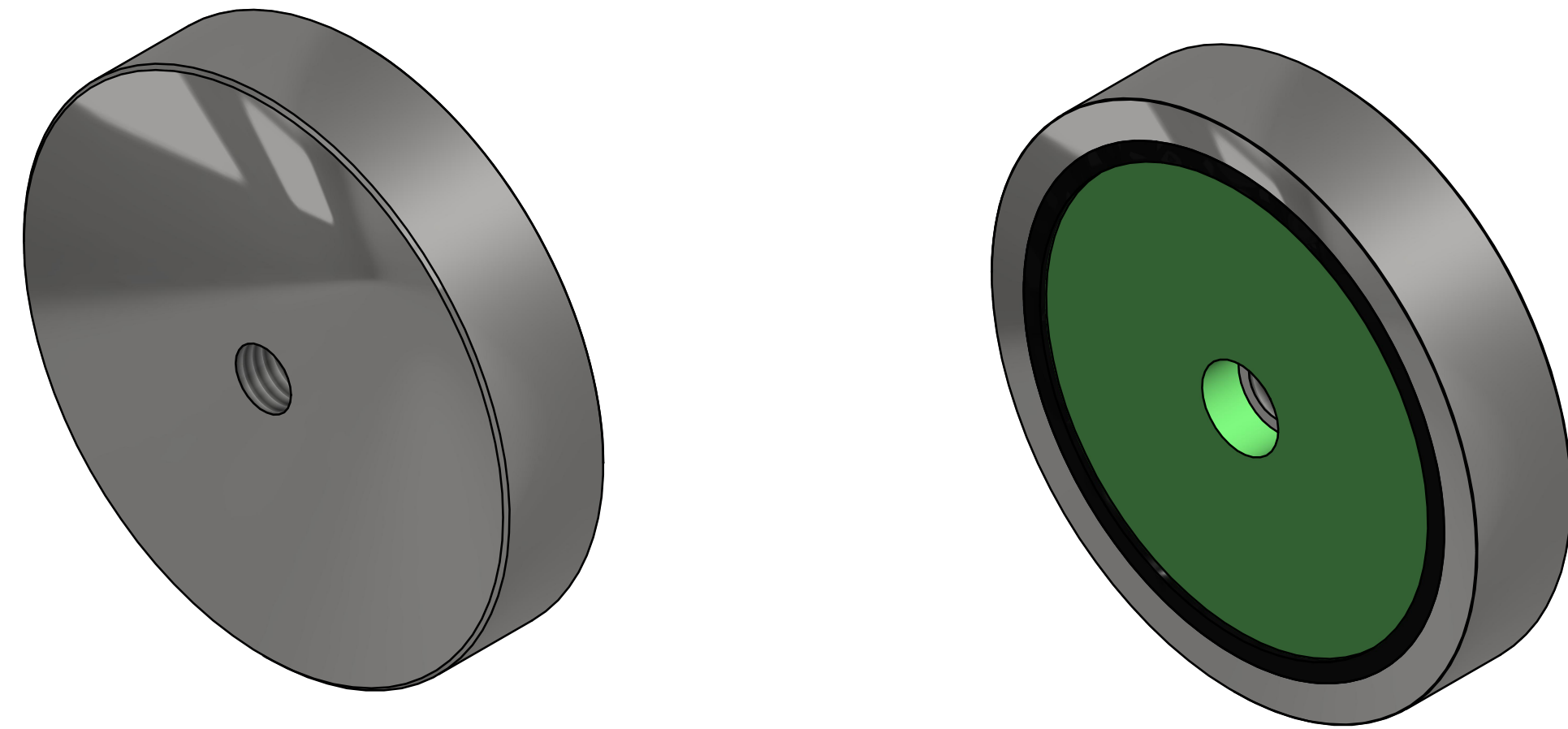


DOC.NR.	REV	DATE	BY	DESCRIPTION
E0121022	-	1-10-2019	PV	ORIGINAL DRAWING



SURFACE TREATMENT: ZINC PLATED

RAW MAT.	1	Quantity	Material Number	Material Description	Length (mm)	Width (mm)
Drawn:	PV	Sheet:	A2	Extra info: POTMAGNET NEODYMIUM	General tolerance: ISO 2768- mK	
Date:	21-8-2019	Weight (kg):	0,46		Drawn according: ISO268; ISO1101; ISO2553	
Spare part:	False	Source:			Status: Standard	
Quick search:	POTGM				Customer reference number:	
Description:	PM-TI-N-SG-D74.6x15xM10			Document number:	E0121022	Doc.Rev: -
				Part number:	GM17445	Rev: -