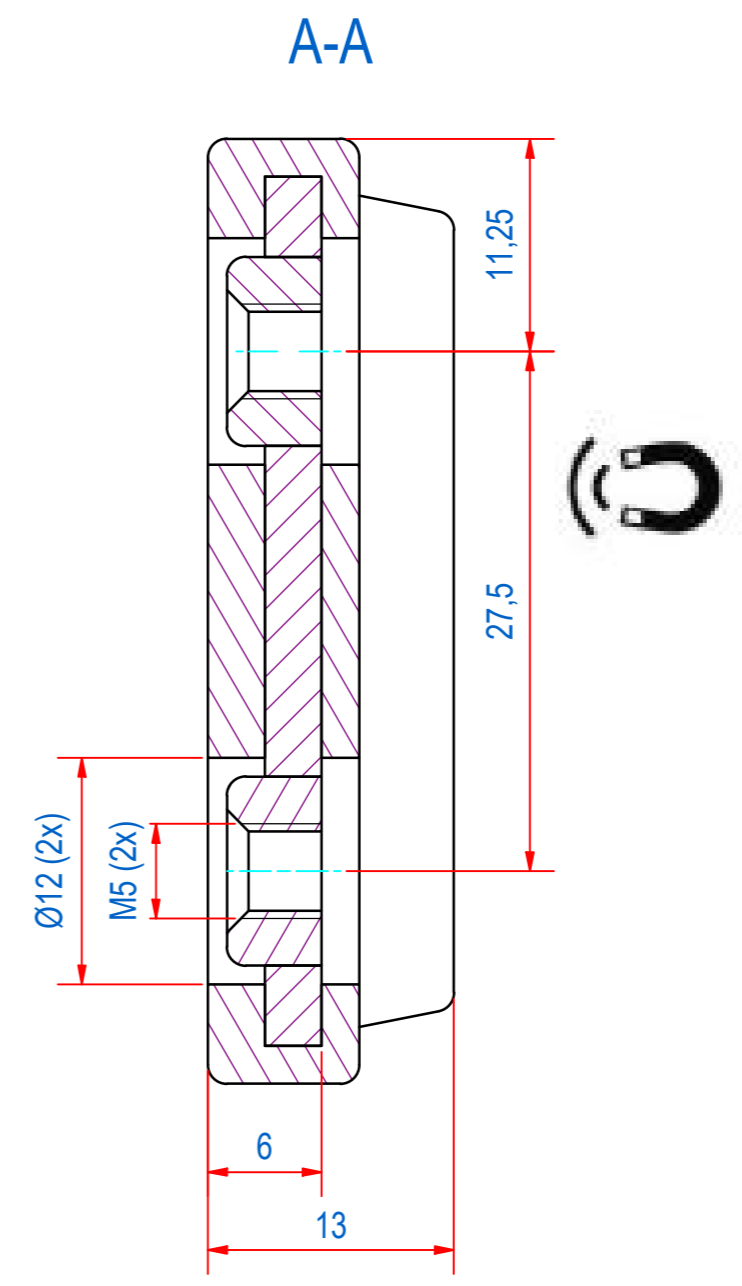
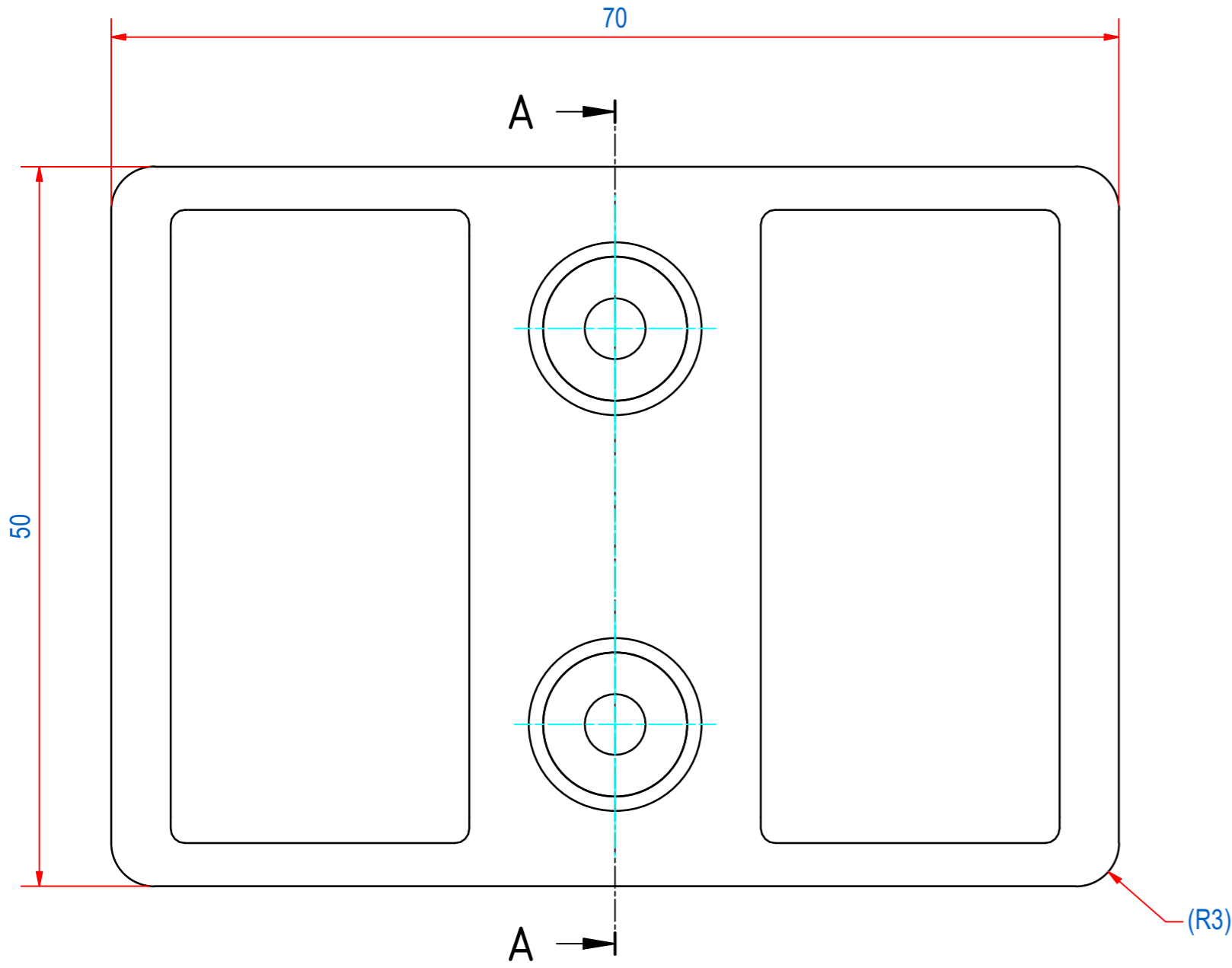
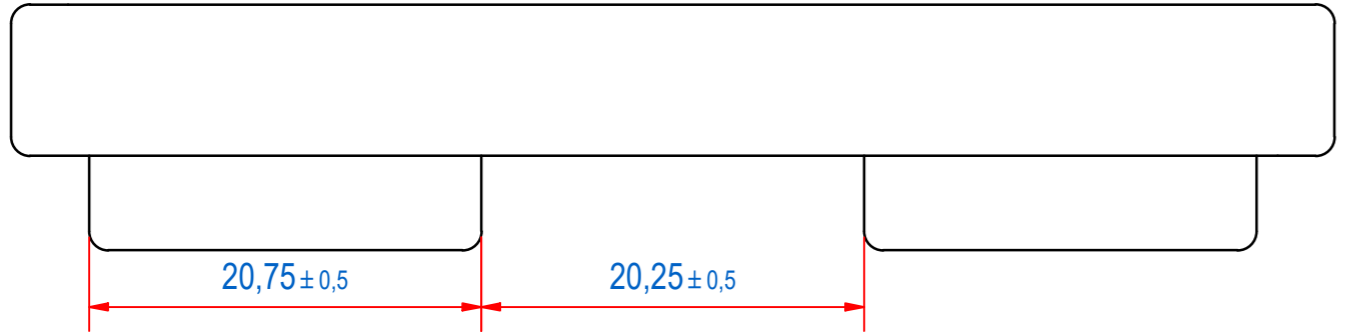


DOC.NR.	REV	DATE	BY	DESCRIPTION
GM17472	-	24-8-2020	TM	ORIGINAL DRAWING



RAW MAT.	1								
Quantity		Material Number		Material Description		Length (mm)		Width (mm)	
Sheet:	A2	Extra info:	POT MAGNET NdFeB		General tolerance:	ISO 2768- mK			
Drawn:	TM	Weight (kg):	0,10		Drawn according:	ISO268; ISO1101; ISO2553			
Date:	24-8-2020				Status:	Standard			
Spare part:	False	Source:			Customer reference number:				
Quick search:	POTGM				Document number:	GM17472	Doc.Rev:		
Description:	PM-RTI-N-RB-70x50x13x2M5				Part number:	GM17472	Rev:		



© All rights reserved. Reproduction is not permitted without written permission of GOUDSMIT Magnetic Systems BV