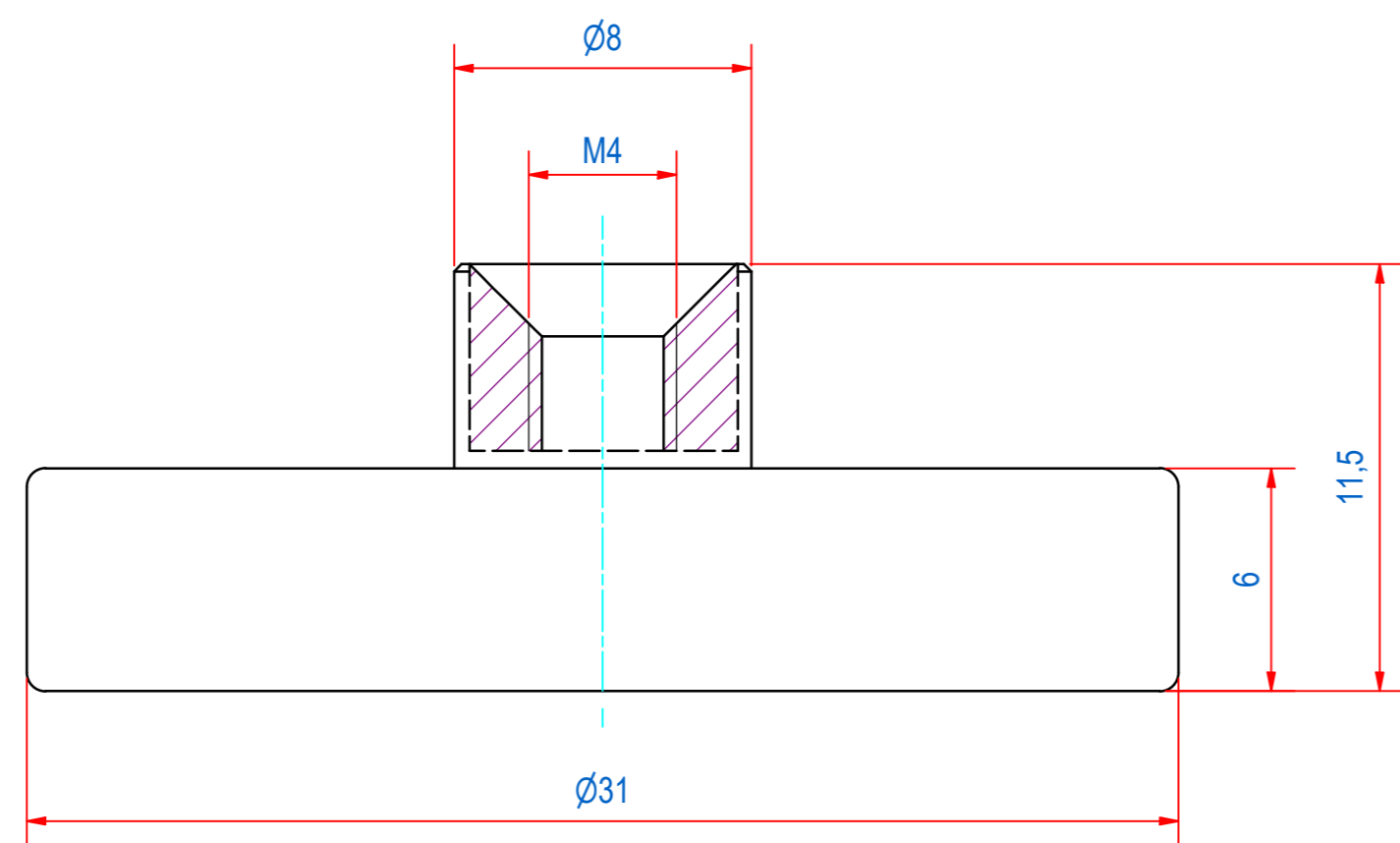
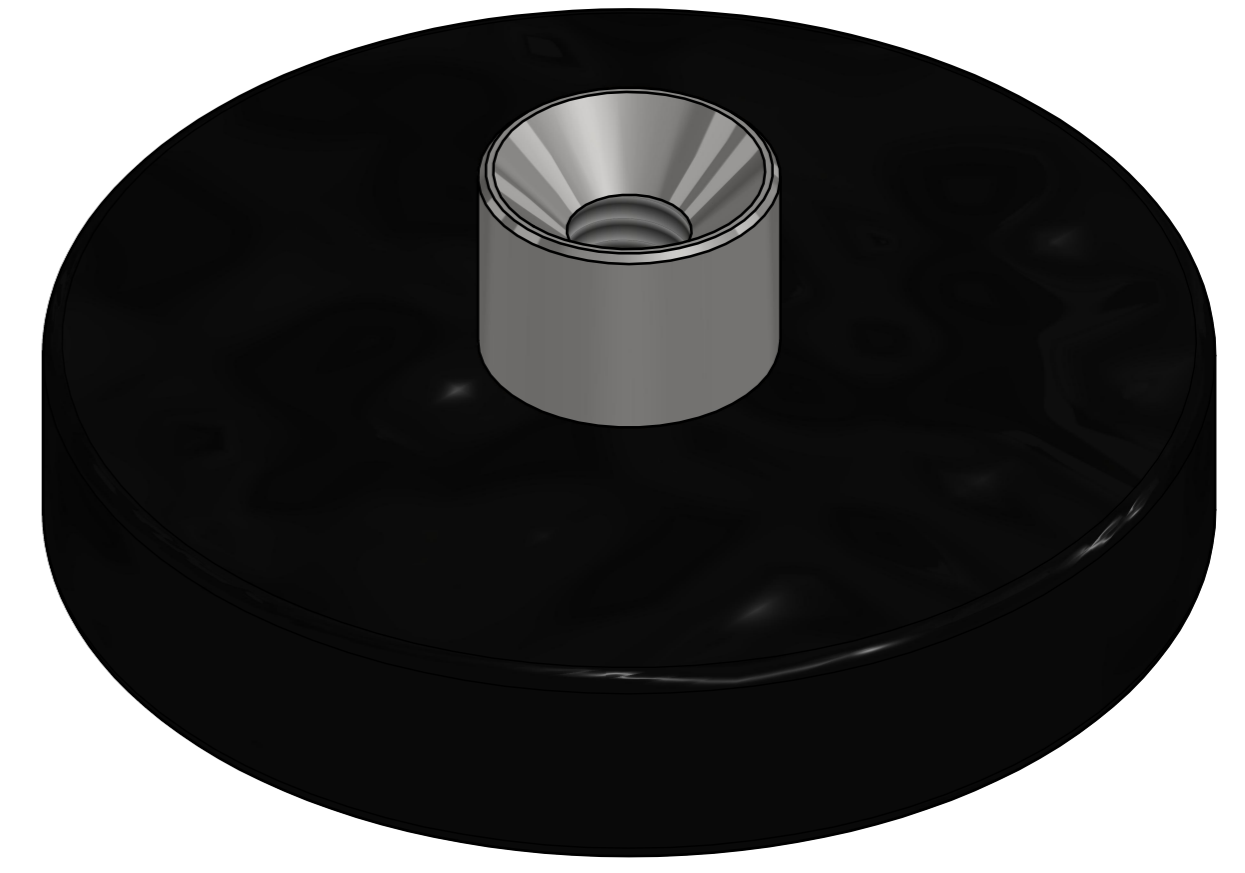
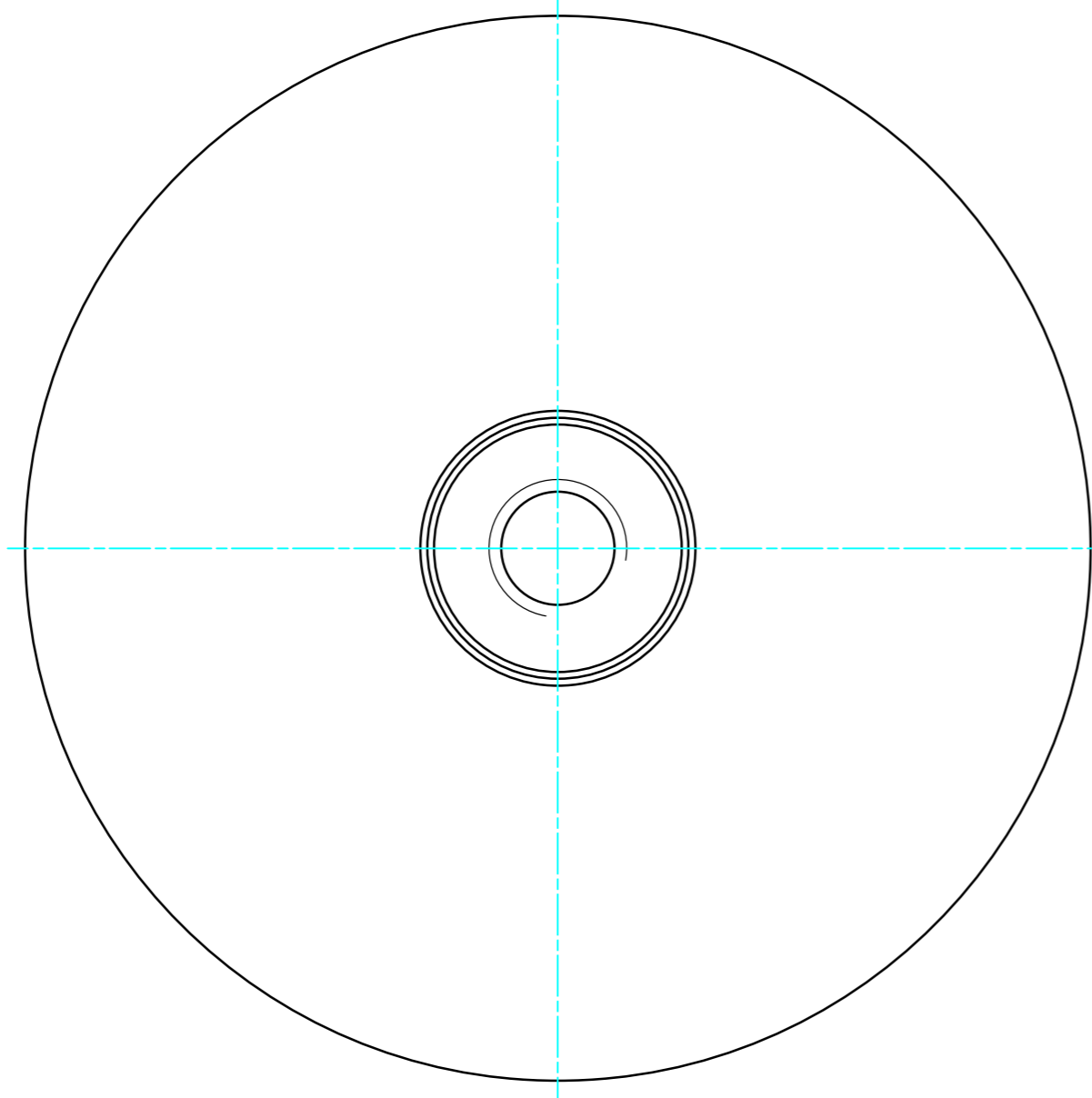


DOC.NR.	REV	DATE	BY	DESCRIPTION
GM17483	-	14-8-2020	TM	ORIGINAL DRAWING



RAW MAT.	Quantity	Material Number	Material Description	Length (mm)	Width (mm)
1					
Sheet:	A2	Extra info:	POT MAGNET NdFeB RUBBER COATED	General tolerance: ISO 2768- mK	
Drawn:	TM	Weight (kg):	0,013	Drawn according: ISO268; ISO1101; ISO2553	
Date:	14-8-2020			Status: Standard	
Spare part:	False			Customer reference number:	
Quick search:	POTGM	<small>© All rights reserved. Reproduction is not permitted without written permission of GOUDSMIT Magnetic Systems BV</small>		Document number:	Doc.Rev:
Description:	PM-RTB-N-RB-D31x6x11.5xM4			Part number:	Rev:
				GM17483	-