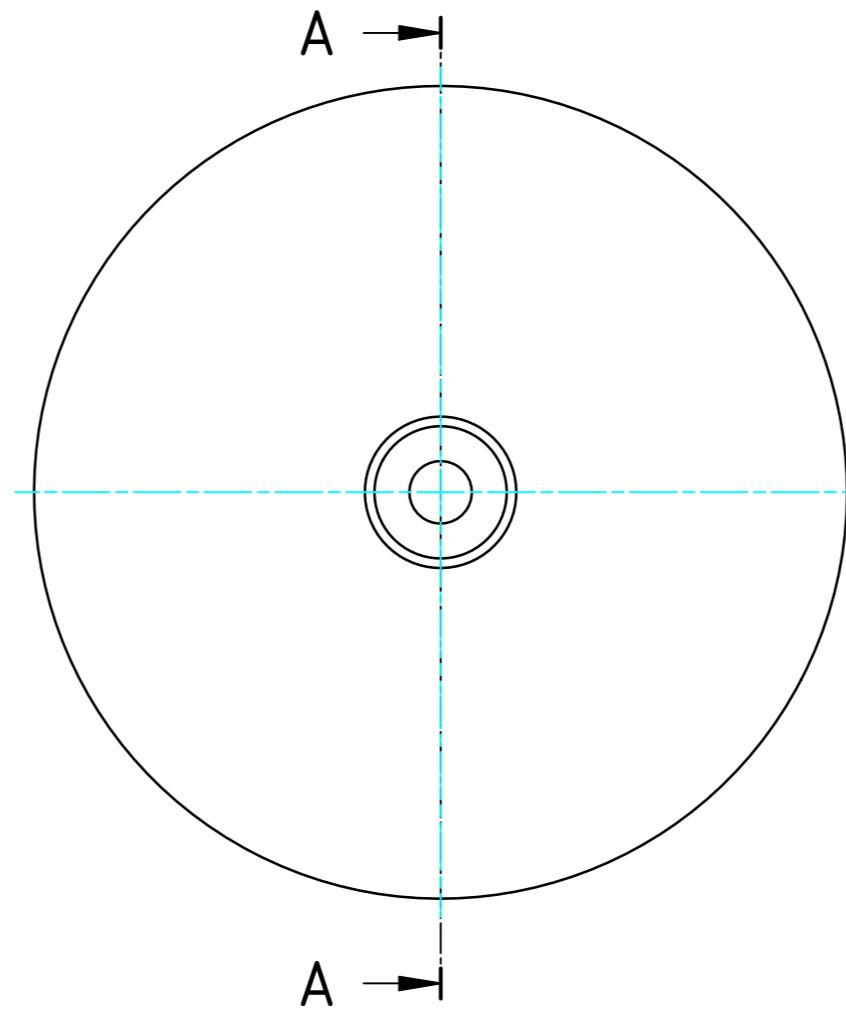
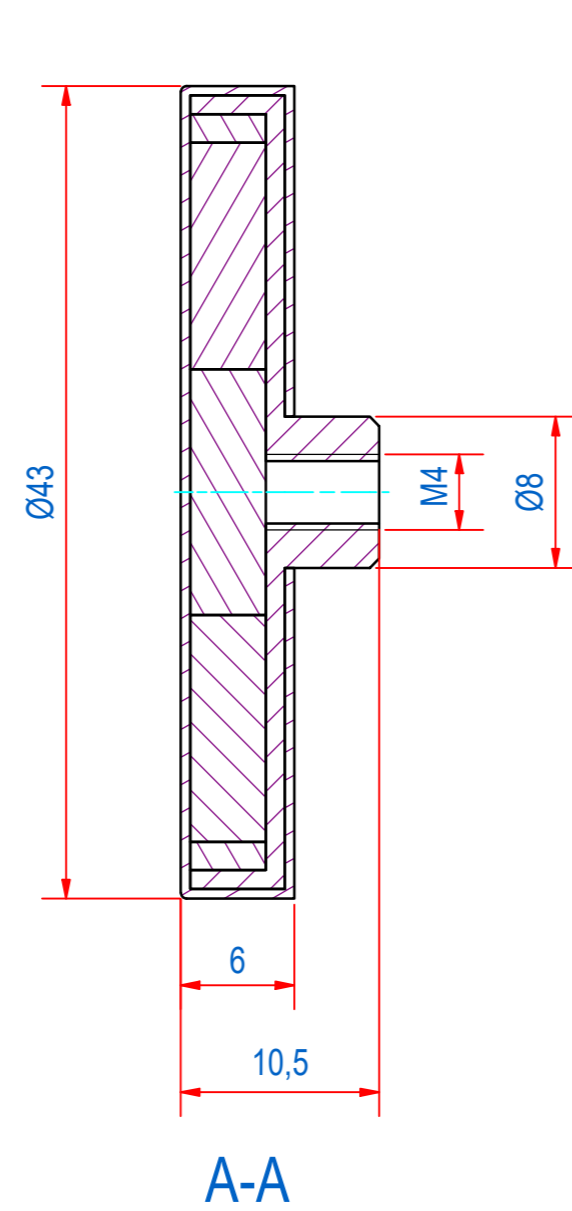
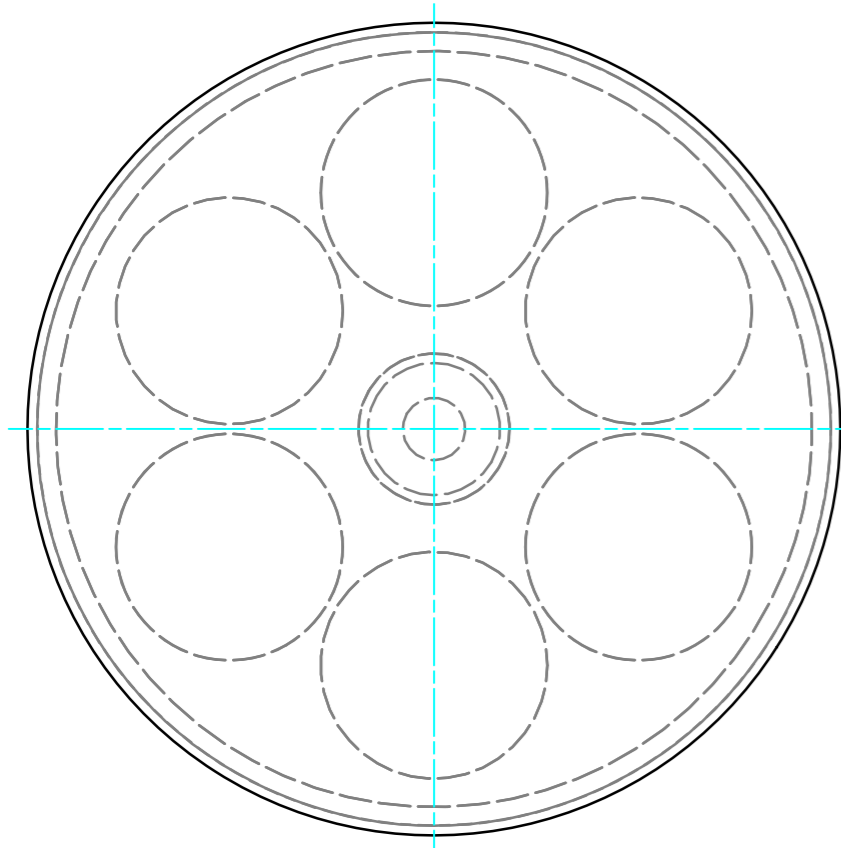


DOC.NR.	REV	DATE	BY	DESCRIPTION
GM17505	-	1-10-2019	PV	ORIGINAL DRAWING



RAW MAT.	1								
Quantity		Material Number		Material Description		Length (mm)		Width (mm)	
Sheet:	A2	Extra info:	POT MAGNET NEODYMIUM		General tolerance:	ISO 2768- mK			
Drawn:	PV	Weight (kg):	0,031		Drawn according:	ISO268; ISO1101; ISO2553			
Date:	15-7-2019				Status:	Standard			
Spare part:	False	Source:			Customer reference number:				
Quick search:	POTGM				Document number:	E0116944	Doc.Rev:		
Description:	PM-RTB-N-RB-D43x6xM4				Part number:	GM17505			
								Rev:	-



© All rights reserved. Reproduction is not permitted without written permission of GOUDSMIT Magnetic Systems BV