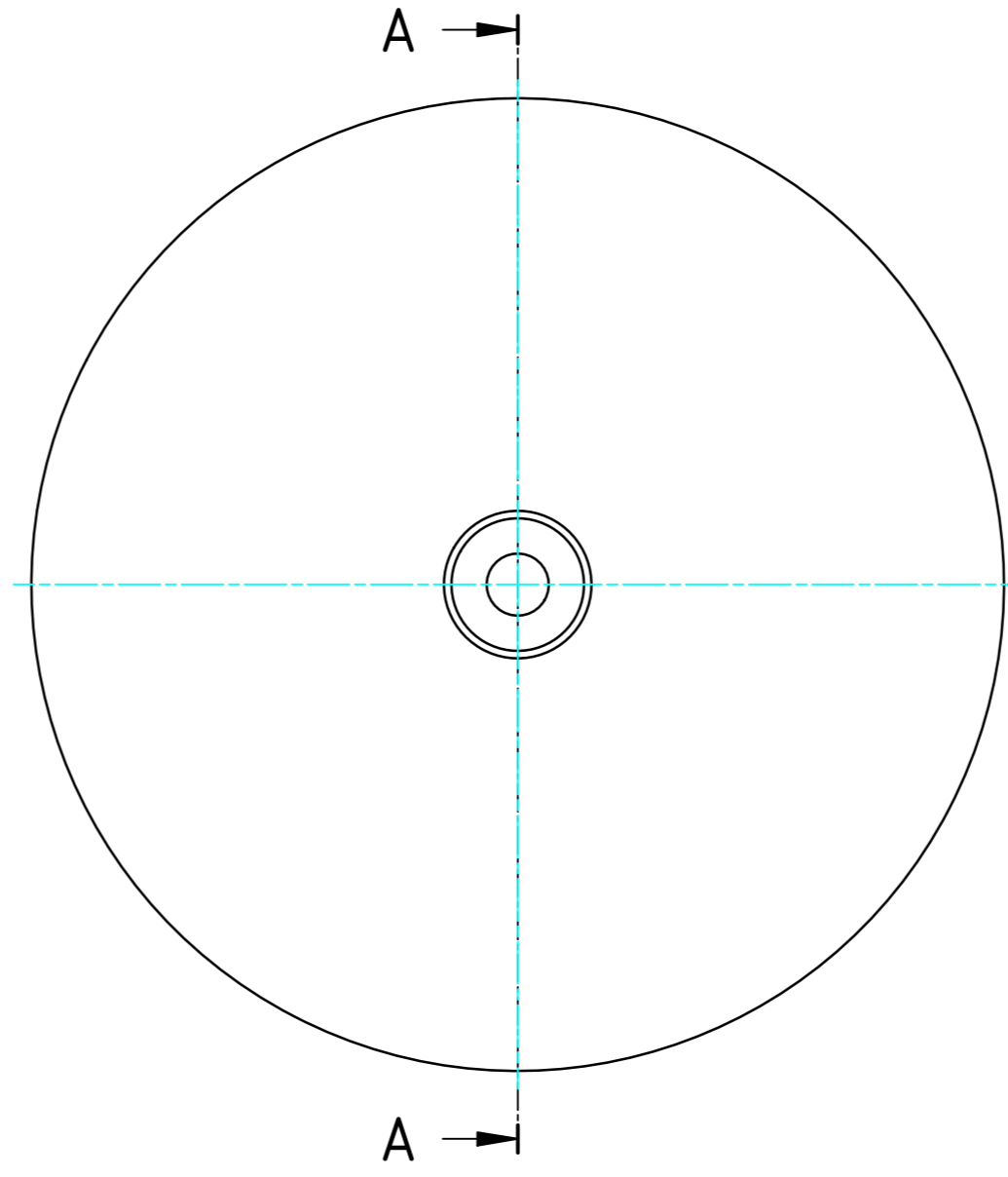
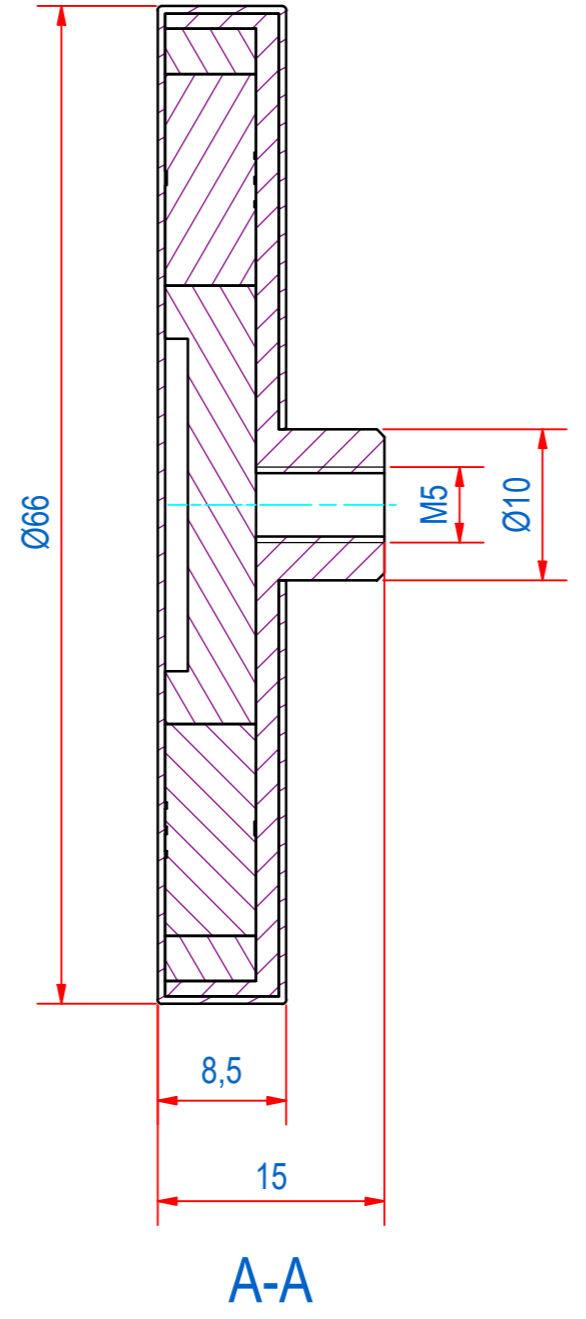
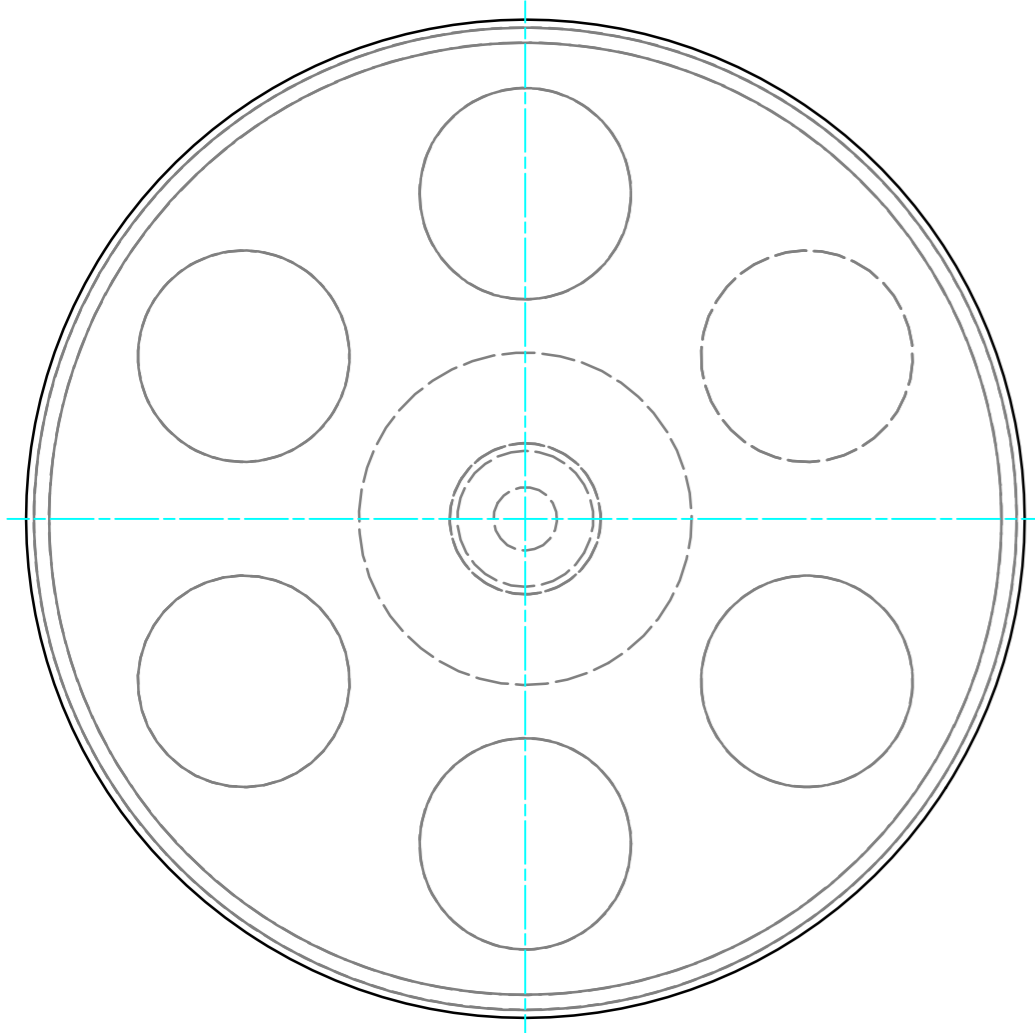


DOC.NR.	REV	DATE	BY	DESCRIPTION
GM17511	-	1-10-2019	PV	ORIGINAL DRAWING



RAW MAT.	Quantity: 1	Material Number	Material Description	Length (mm)	Width (mm)
Sheet:	A2	Extra info:	POTMAGNET NEODYMIUM	General tolerance:	ISO 2768- mK
Drawn:	PV	Weight (kg):	0,11	Drawn according:	ISO268; ISO1101; ISO2553
Date:	14-6-2019	Status:	Standard	Customer reference number:	
Spare part:	False	Source:	GOUDSMIT MAGNETICS	Document number:	E0117070
Quick search:	POTGM	© All rights reserved. Reproduction is not permitted without written permission of GOUDSMIT Magnetic Systems BV		Doc.Rev:	
Description:	PM-RTB-N-RB-D66x8.5xM5			Part number:	GM17511
				Rev:	