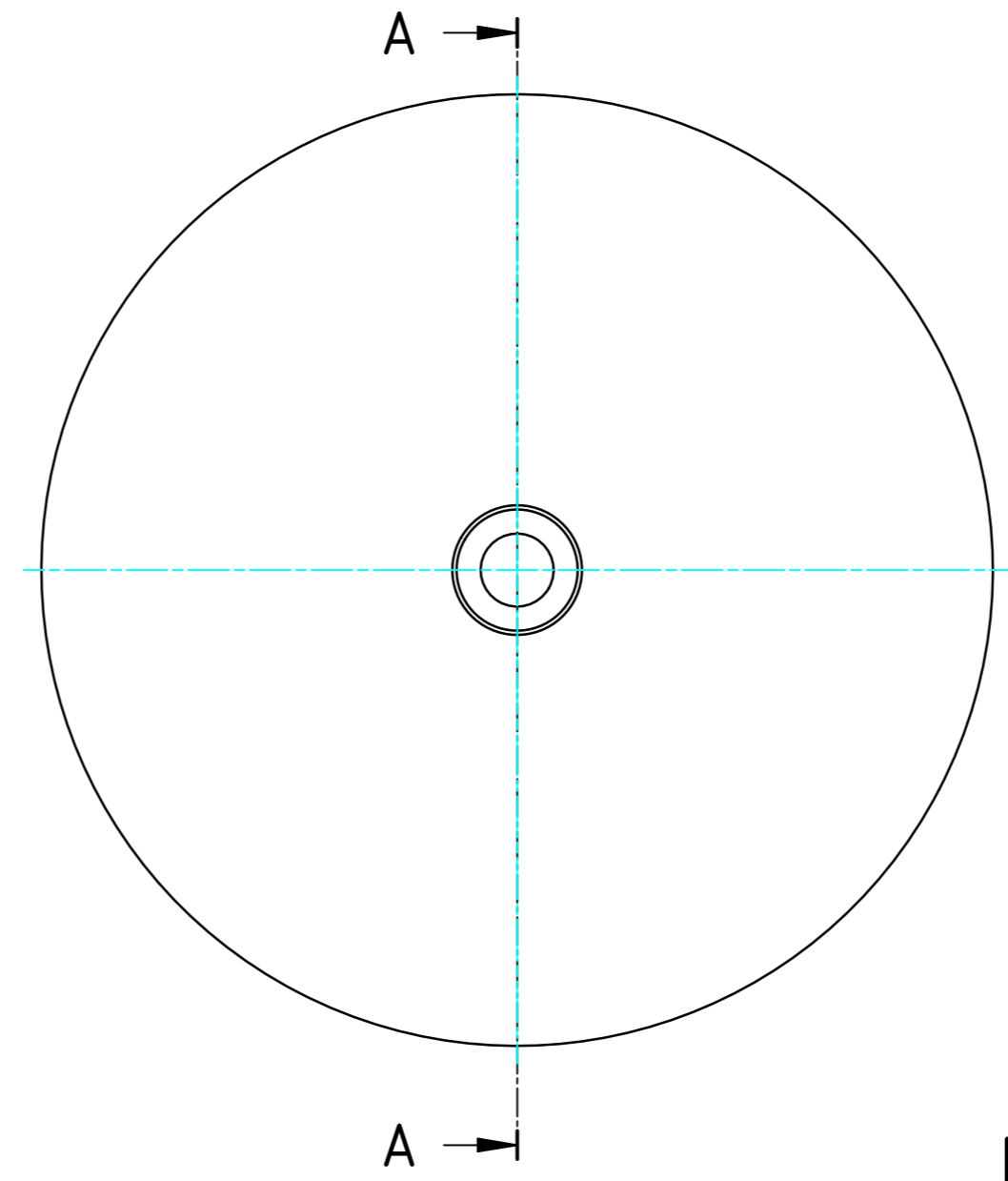
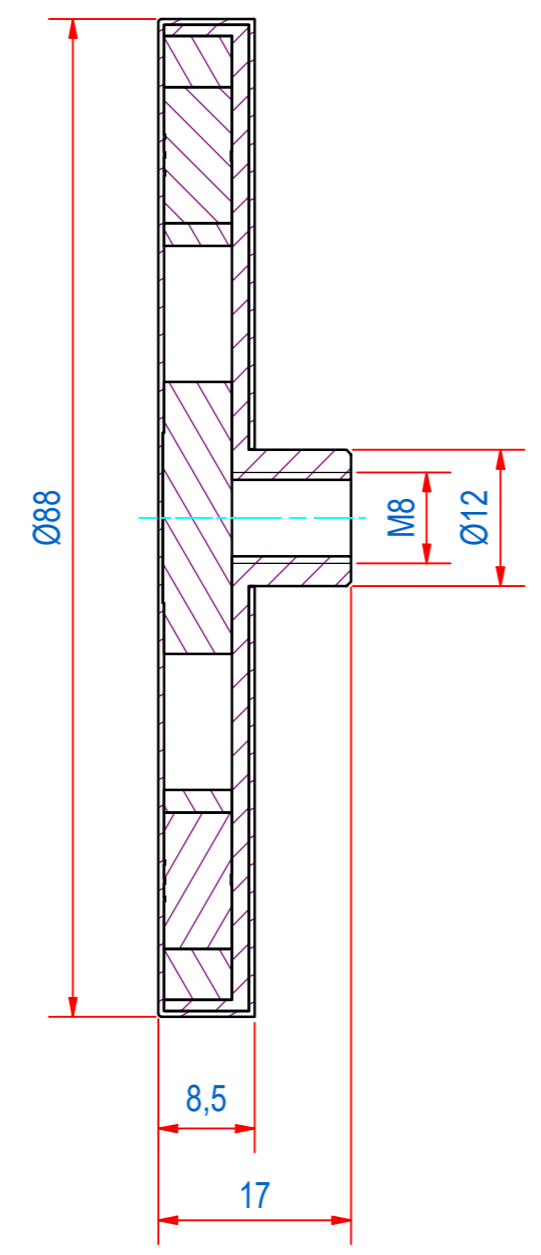
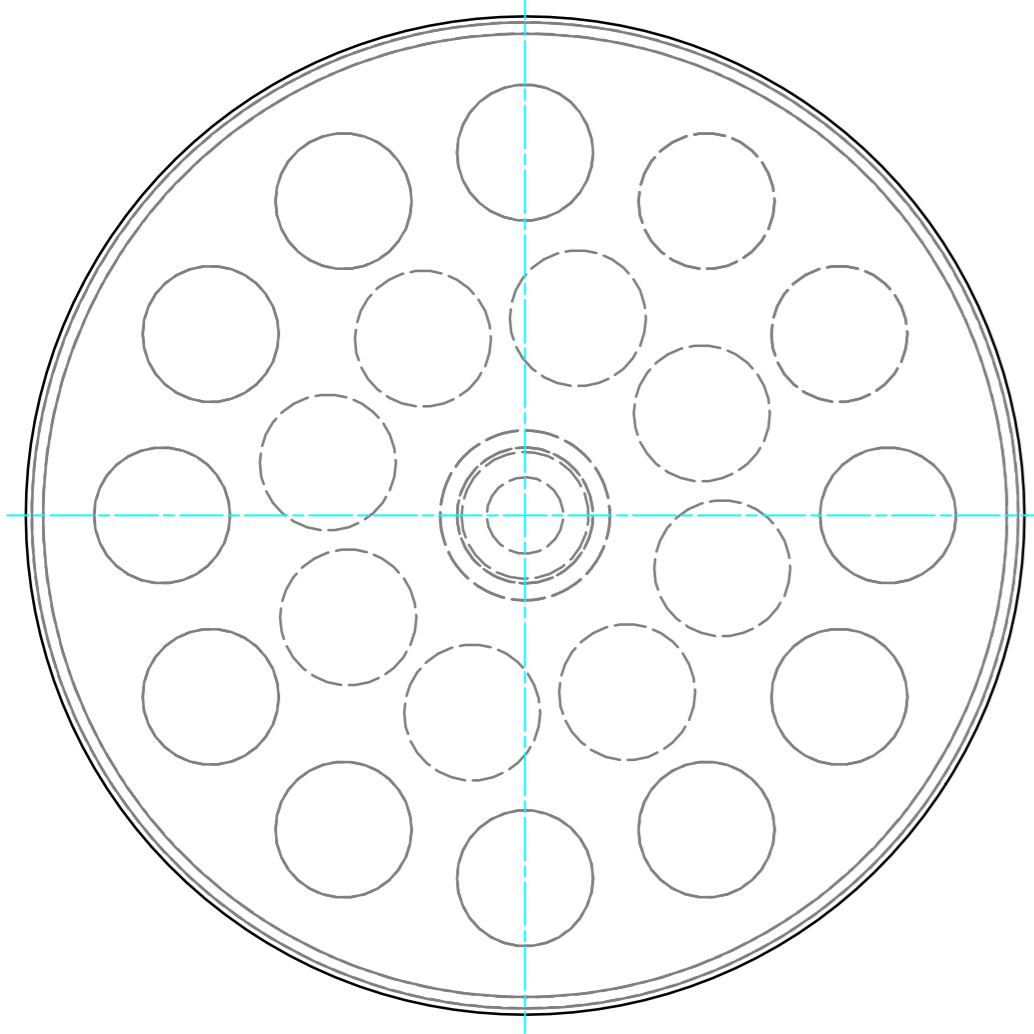
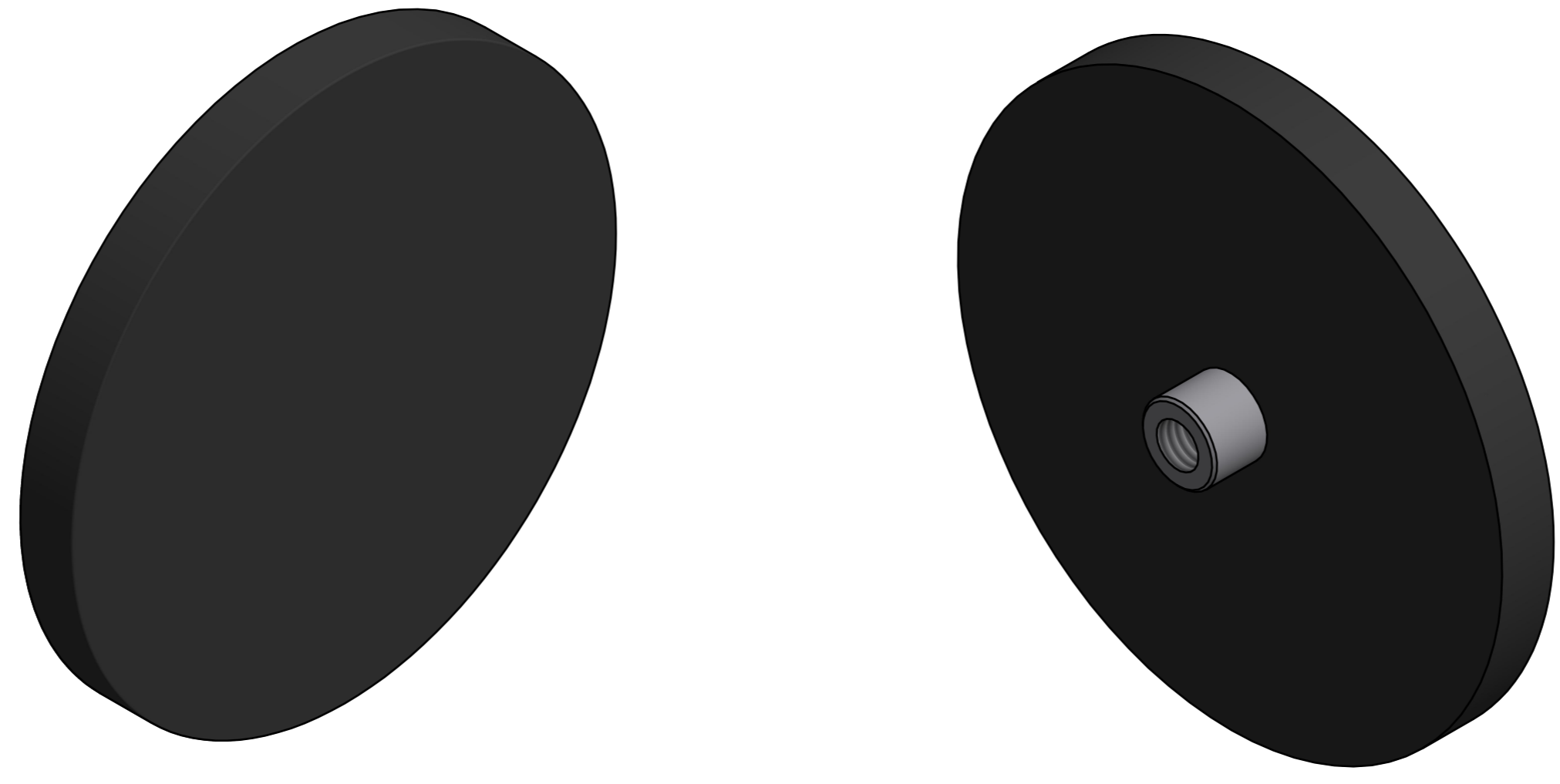


DOC.NR.	REV	DATE	BY	DESCRIPTION
GM17517	-	1-10-2019	PV	ORIGINAL DRAWING



A-A

RAW MAT.	1						
Quantity		Material Number		Material Description		Length (mm)	Width (mm)
Sheet:	A2	Extra info:	POT MAGNET NEODYMIUM		General tolerance:	ISO 2768- mK	
Drawn:	PV	Weight (kg):	0,19		Drawn according:	ISO268; ISO1101; ISO2553	
Date:	14-6-2019				Status:	Standard	
Spare part:	False	Source:			Customer reference number:		
Quick search:	POTGM				Document number:	E0117232	Doc.Rev:
Description:	PM-RTB-N-RB-D88x8.5xM8				Part number:	GM17517	Rev:



© All rights reserved. Reproduction is not permitted without written permission of GOUDSMIT Magnetic Systems BV