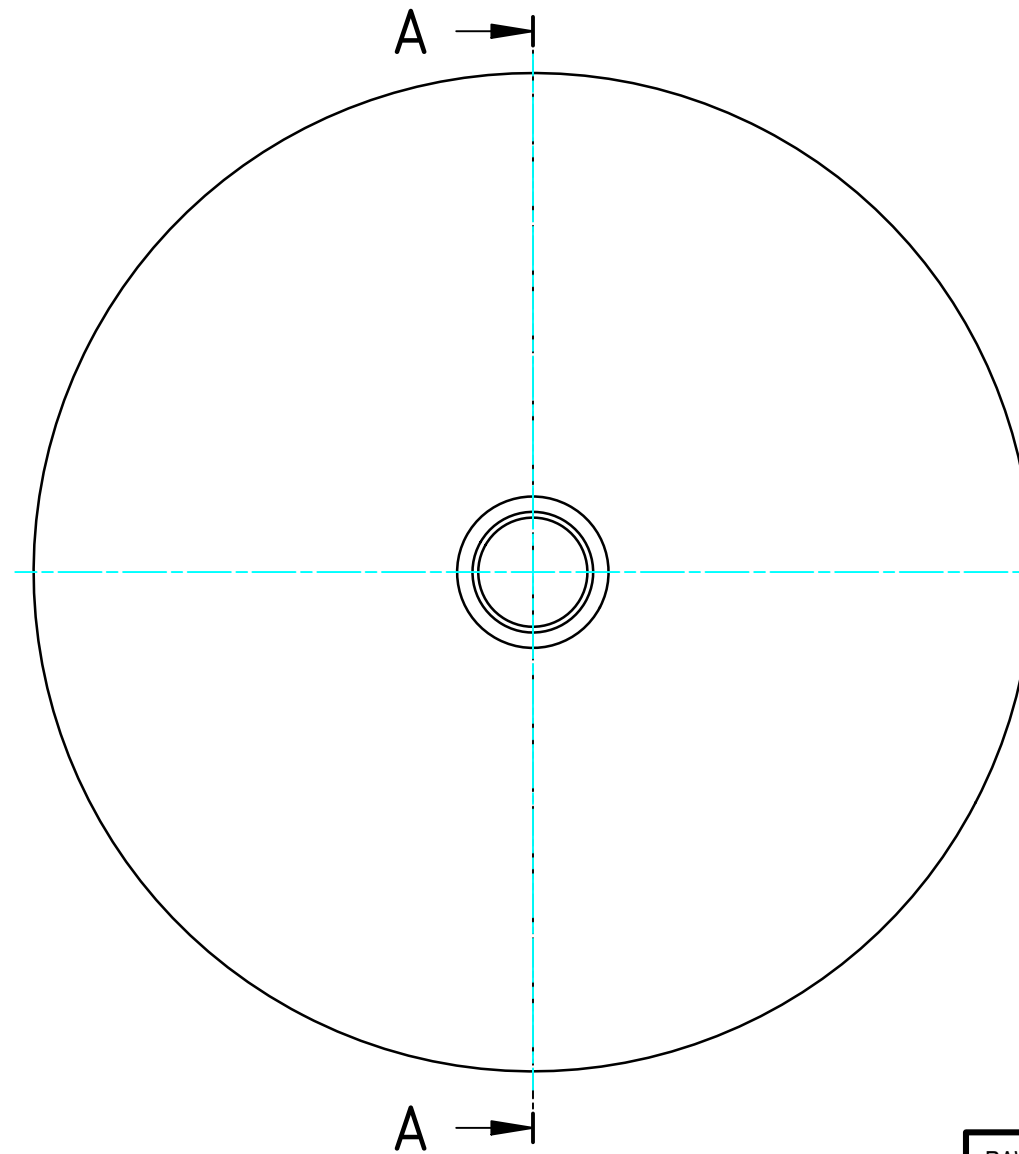
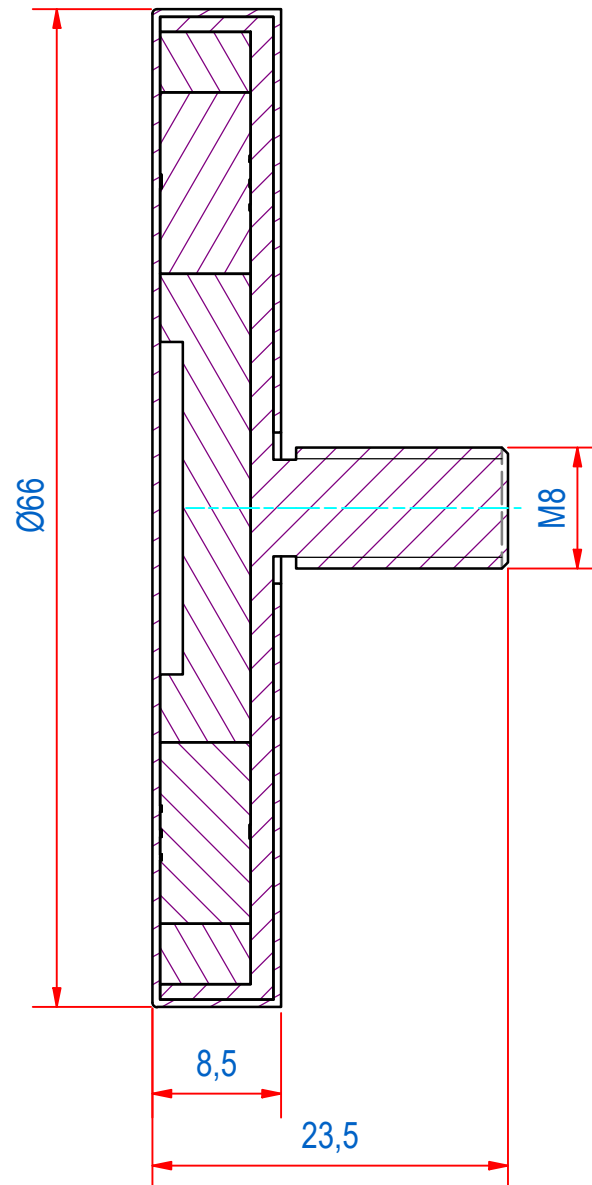
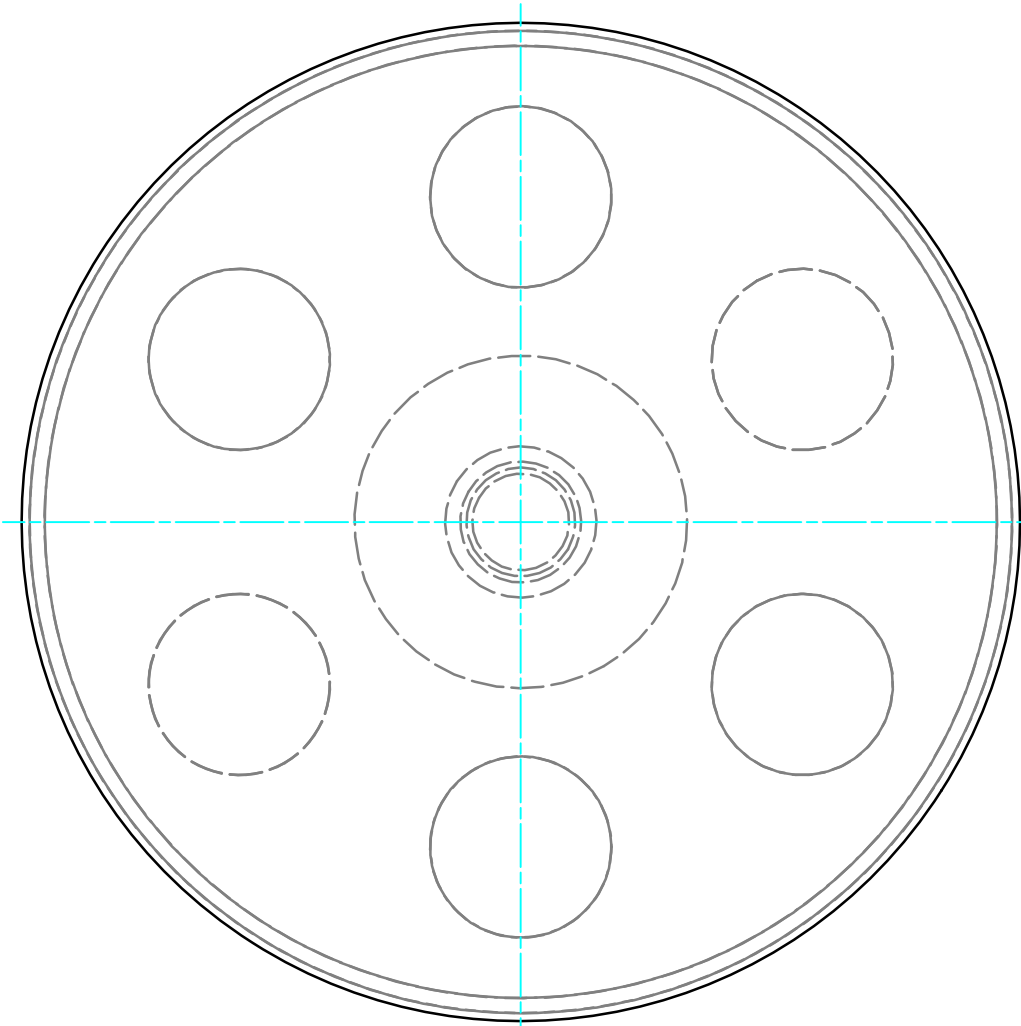
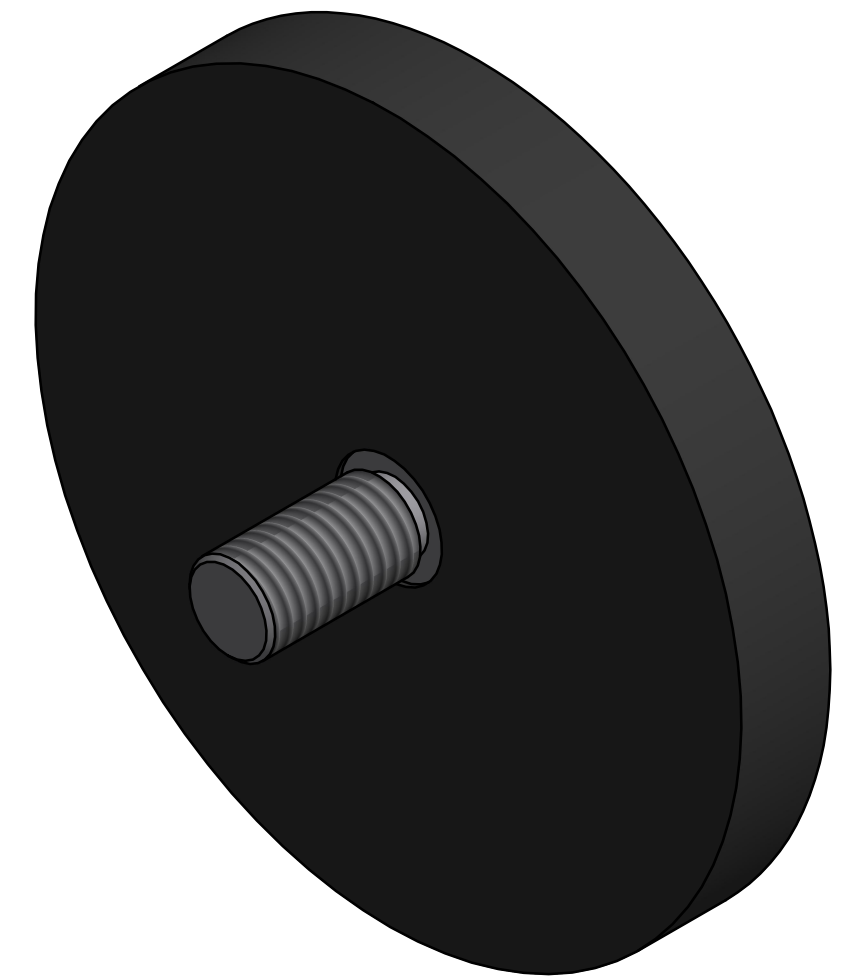
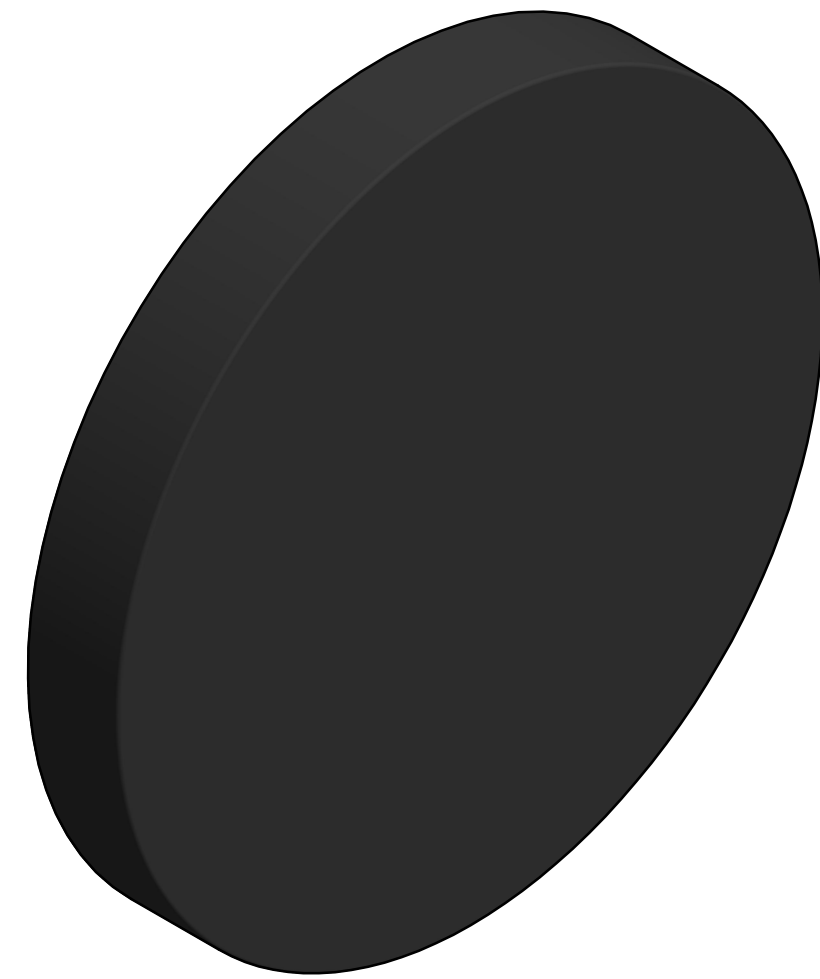


DOC.NR.	REV	DATE	BY	DESCRIPTION
GM17519	-	25-9-2019	PV	ORIGINAL DRAWING



RAW MAT.	1	Quantity	Material Number	Material Description	Length (mm)	Width (mm)
Symbol	Sheet: A2	Extra info:	POTMAGNET NEODYMIUM		General tolerance: ISO 2768 - mK	
Drawn: PV	Weight (kg): 0,11	Date:	8-7-2019		Drawn according: ISO268; ISO1101; ISO2553	
Spare part: False	Source:	Quick search:	POTGM		Status: Standard	
Description:			PM-RTE-N-RB-D66x8.5xM8x23.5		Document number:	Doc.Rev:
					E0117190	-
					Part number:	Rev:
					GM17519	-



© All rights reserved. Reproduction is not permitted without written permission of GOUDSMIT Magnetic Systems BV