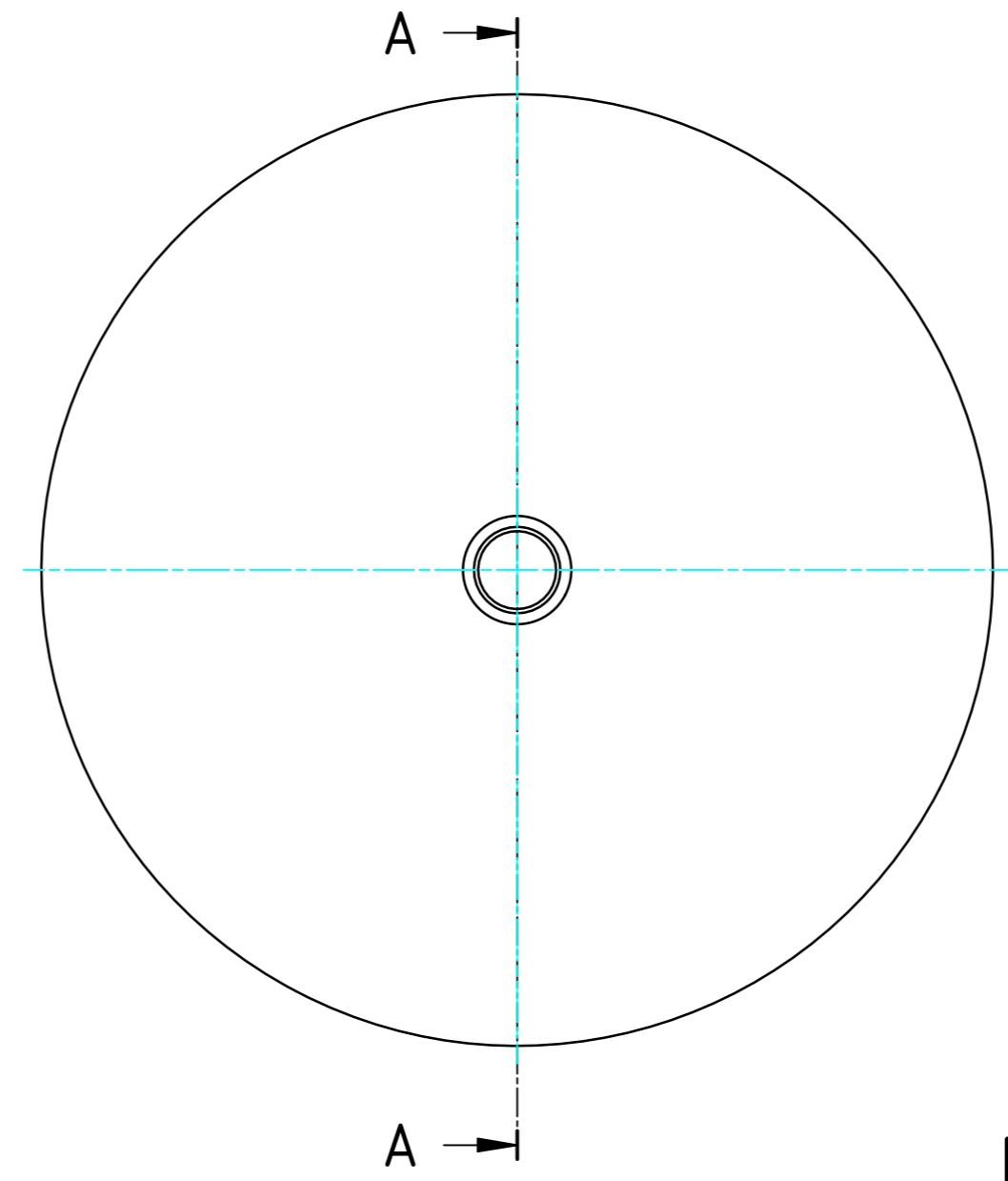
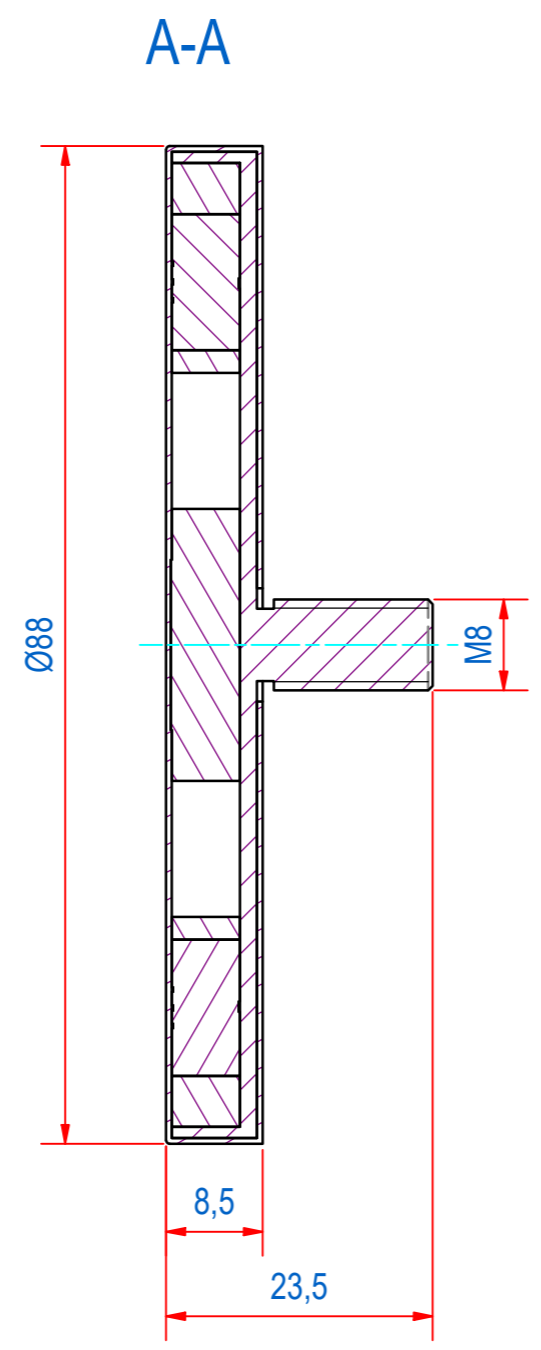
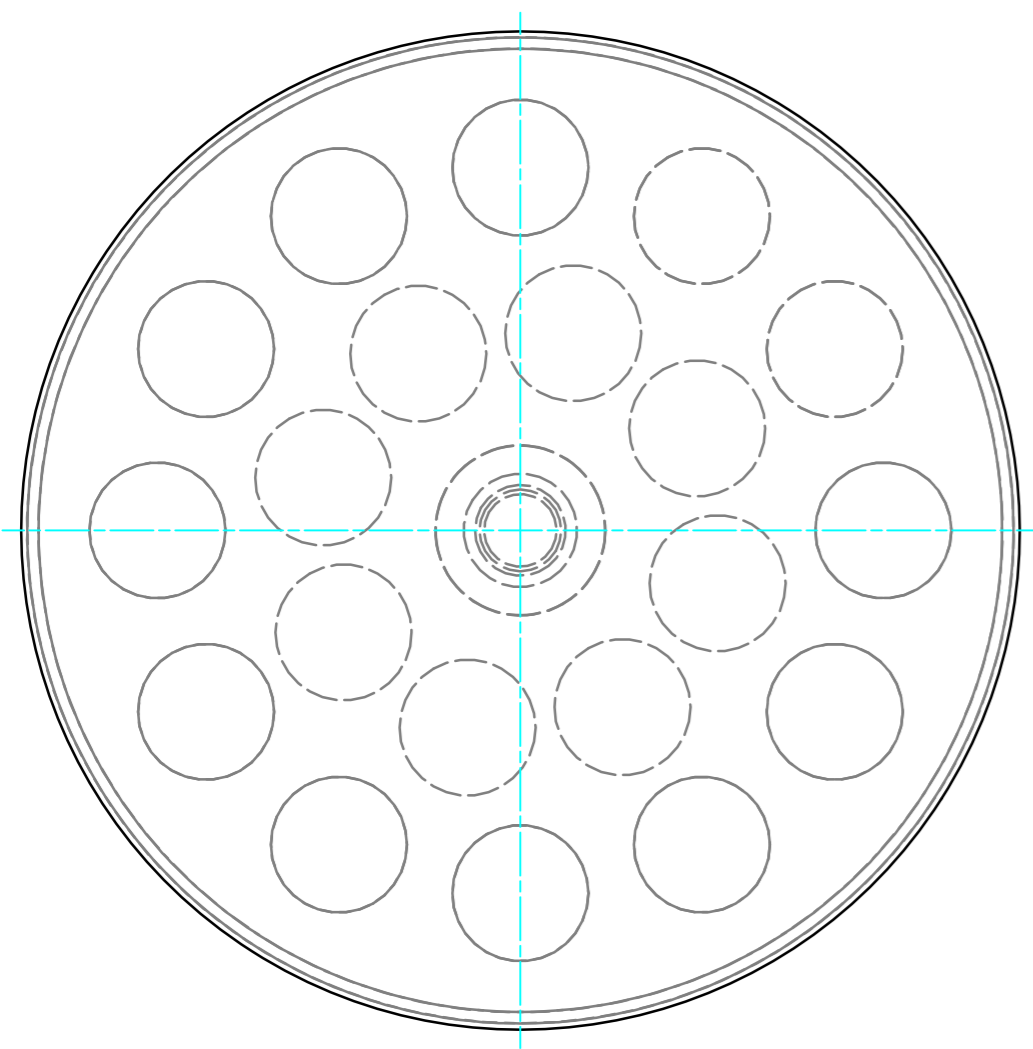
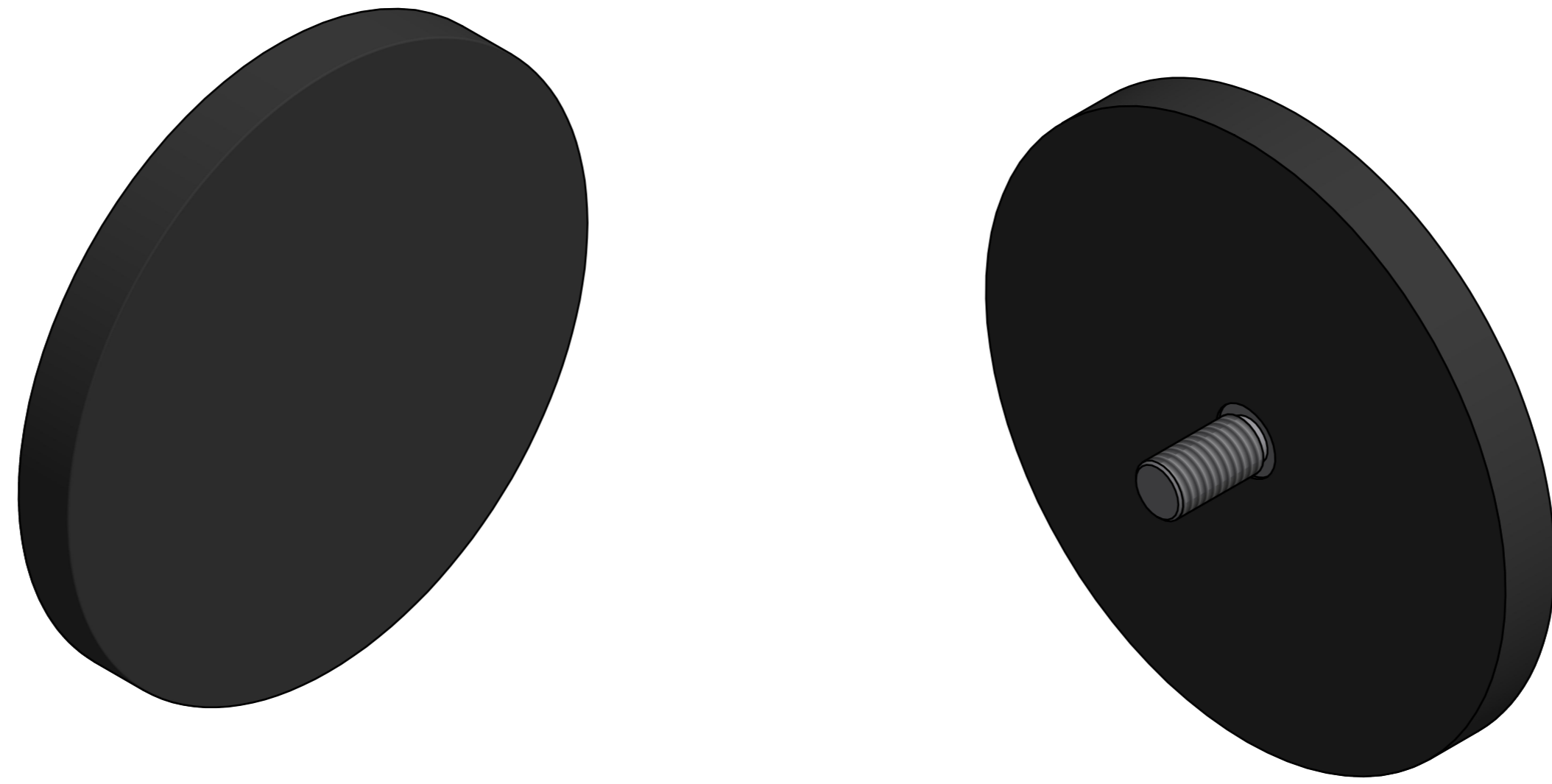


DOC.NR.	REV	DATE	BY	DESCRIPTION
GM17520	-	1-10-2019	PV	ORIGINAL DRAWING



RAW MAT.	Quantity: 1	Material Number	Material Description	Length (mm)	Width (mm)
Drawn:	PV	Sheet: A2	Extra info: POTMAGNET NEODYMIUM	General tolerance: ISO 2768- mK	
Date:	14-6-2019	Weight (kg): 0,19		Drawn according: ISO268; ISO1101; ISO2553	
Spare part:	False	Source:		Status: Standard	Customer reference number:
Quick search:	POTGM	© All rights reserved. Reproduction is not permitted without written permission of GOUDSMIT Magnetic Systems BV		Document number: E0117210	Doc.Rev: -
Description:	PM-RTE-N-RB-D88x8.5xM8x23.5			Part number: GM17520	Rev: -