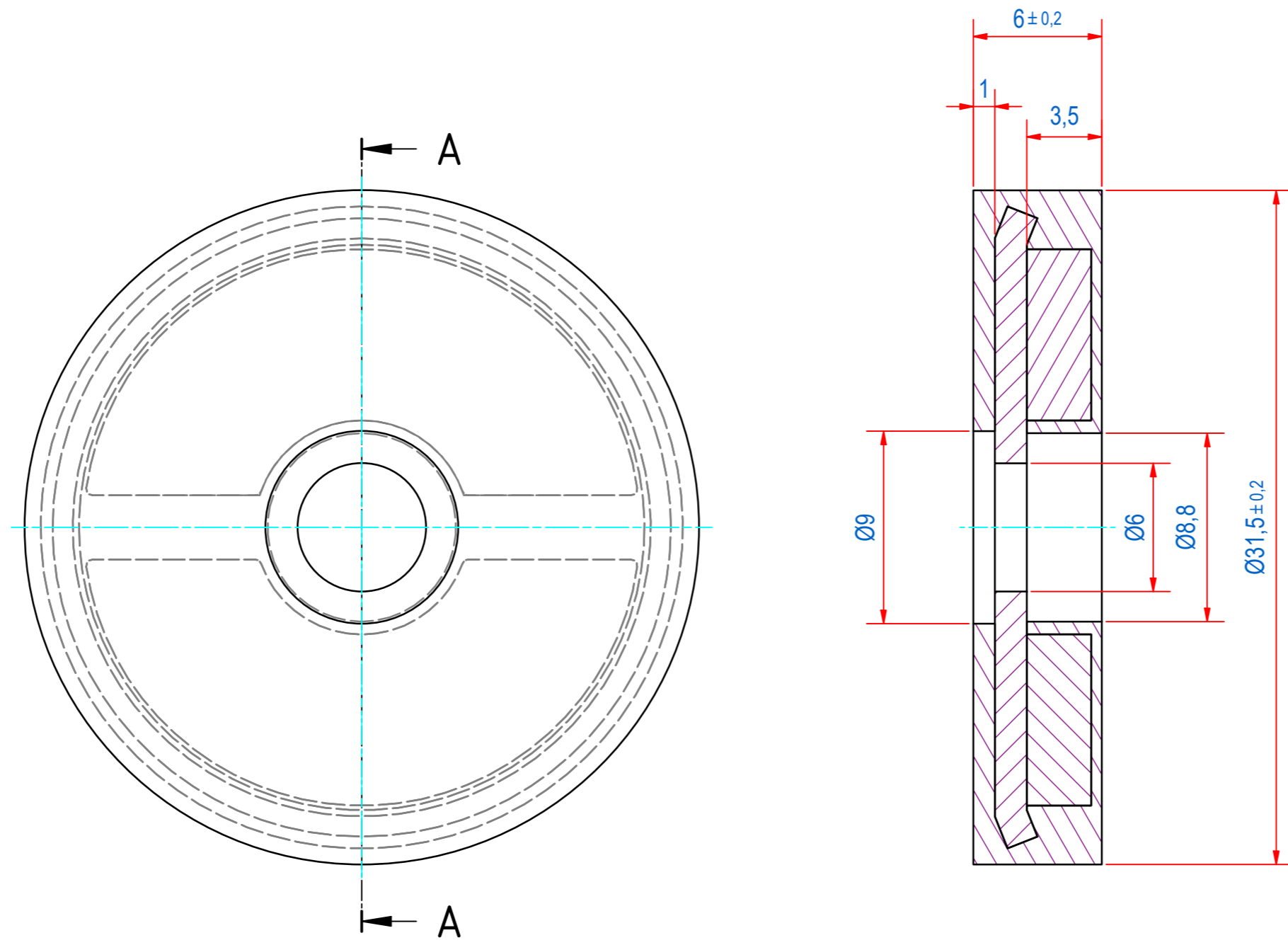
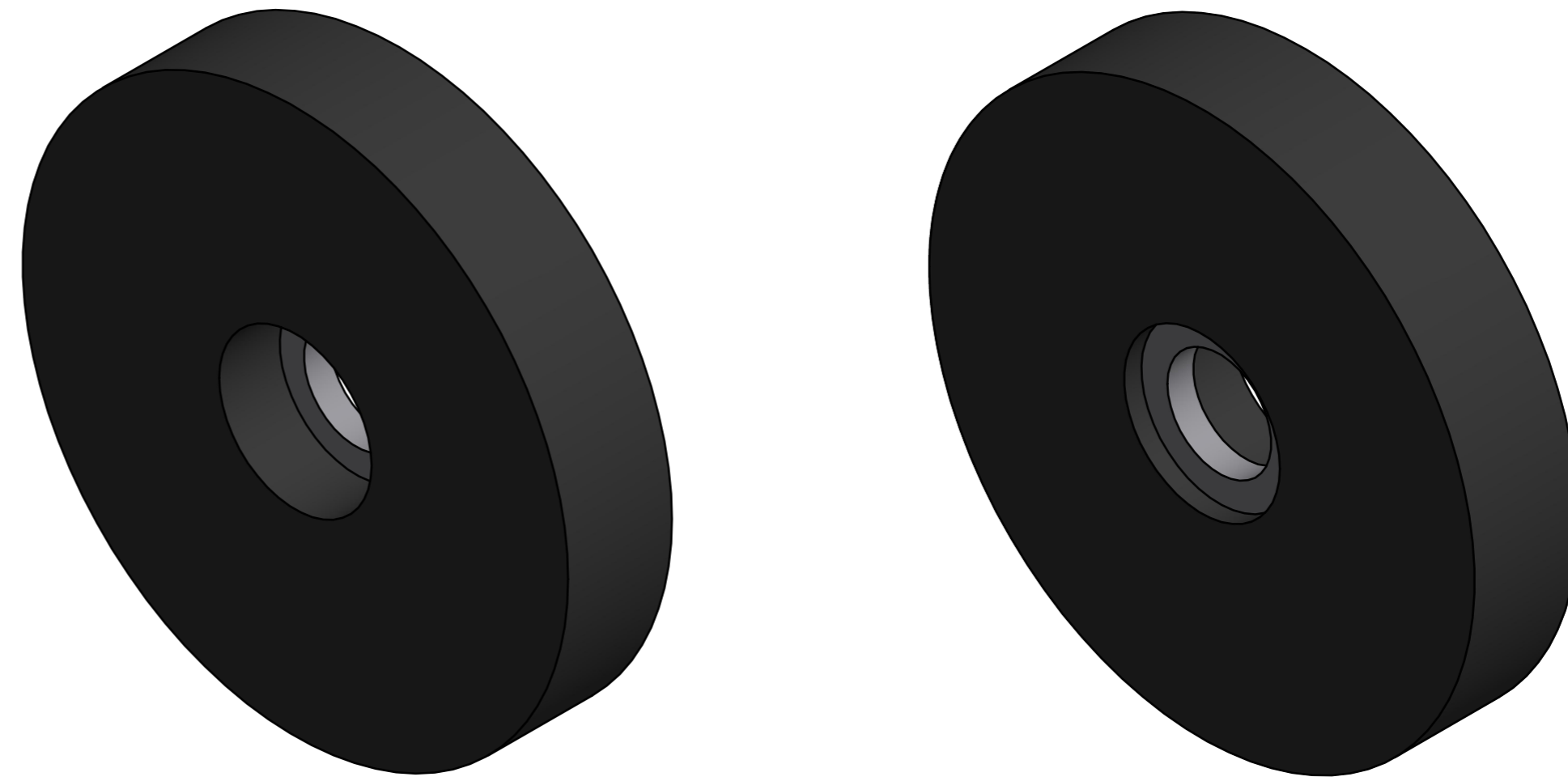


DOC.NR.	REV	DATE	BY	DESCRIPTION
GM175305	-	2-10-2019	PV	ORIGINAL DRAWING



A-A

RAW MAT.	Quantity: 1	Material Number	Material Description	Length (mm)	Width (mm)
Drawn: PV	Sheet: A2	Extra info: POT MAGNET NEODYMIUM	General tolerance: ISO 2768- mK		
Date: 17-7-2019	Weight (kg): 0,019		Drawn according: ISO268; ISO1101; ISO2553		
Spare part: False	Source:		Status: Standard		
Quick search: POTGM	© All rights reserved. Reproduction is not permitted without written permission of GOUDSMIT Magnetic Systems BV		Customer reference number:	Document number: E0118711	Doc.Rev: -
Description: PM-RHC-N-RB-D31.5xd6/8.8			Part number: GM175305	Rev: -	