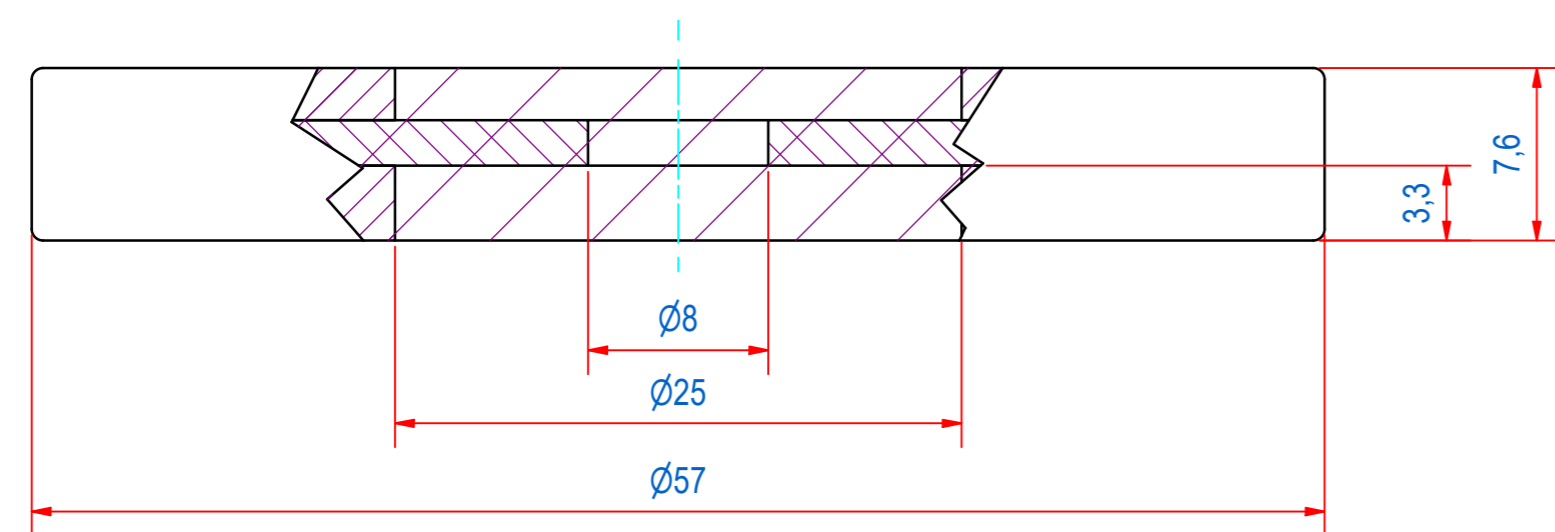
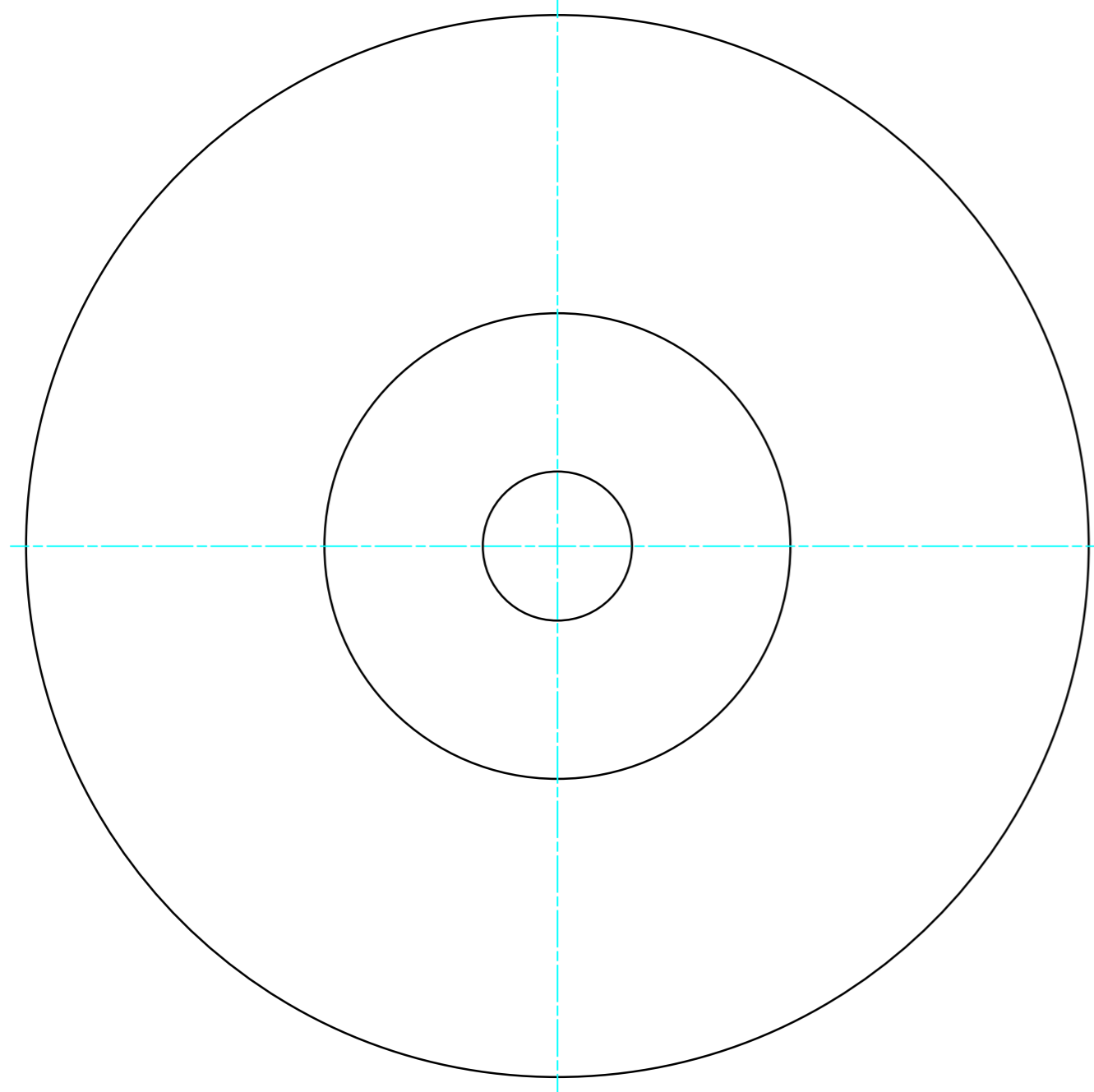


DOC.NR.	REV	DATE	BY	DESCRIPTION
GM17557	-	12-8-2020	TM	ORIGINAL DRAWING



RAW MAT.	Quantity	Material Number	Material Description	Length (mm)	Width (mm)
1					
Sheet: <b>A2</b>		Extra info:		General tolerance: <b>ISO 2768- mK</b>	
Drawn: <b>TM</b>		Weight (kg): <b>0,077</b>		Drawn according: <b>ISO268; ISO1101; ISO2553</b>	
Date: <b>12-8-2020</b>				Status: <b>Standard</b>	
Spare part: <b>False</b>				Customer reference number:	
Quick search: <b>POTGM</b>		<small>© All rights reserved. Reproduction is not permitted without written permission of GOUDSMIT Magnetic Systems BV</small>		Document number: <b>GM17557</b> Doc.Rev: <b>-</b>	
Description: <b>PM-RHC-N-RB-D57x7.6xd8/25</b>				Part number: <b>GM17557</b> Rev: <b>-</b>	