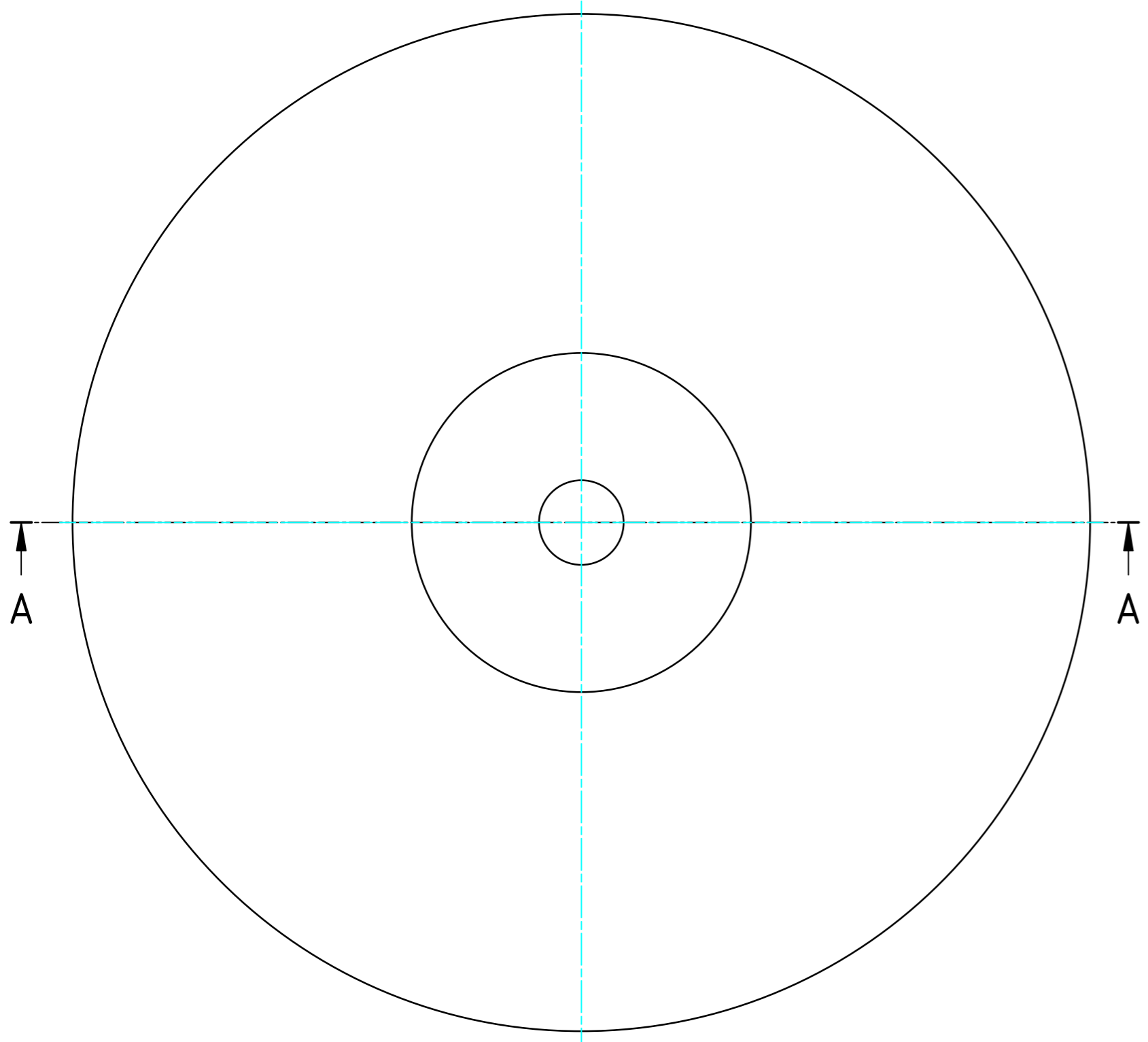
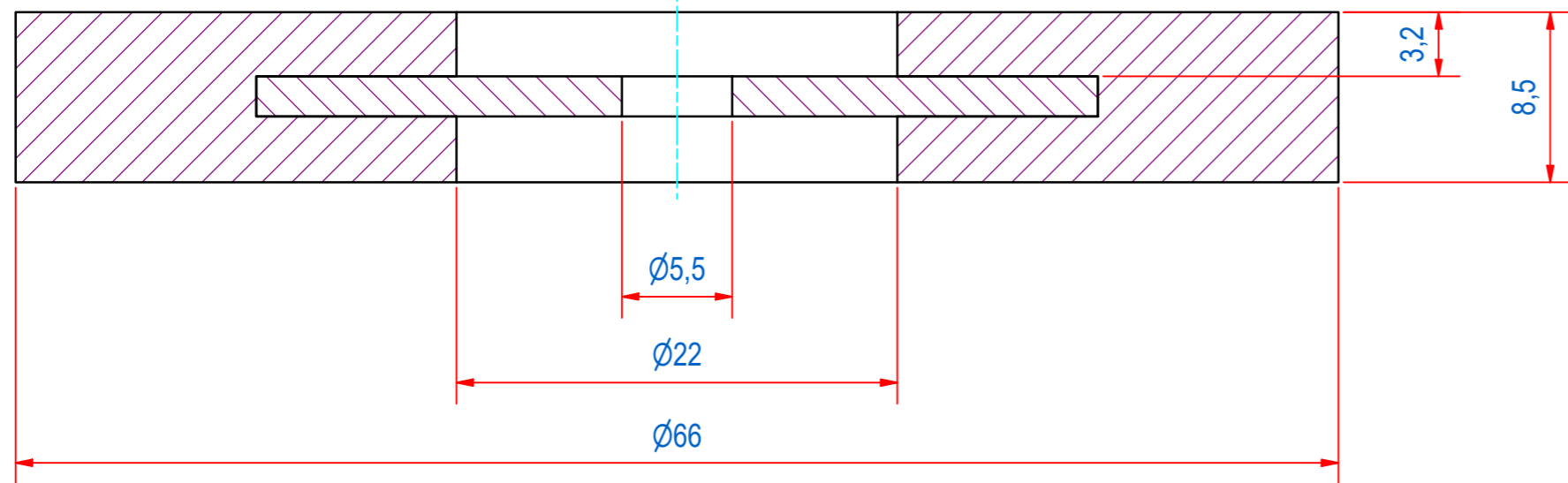


DOC.NR.	REV	DATE	BY	DESCRIPTION
GM17562	-	3-8-2020	TM	ORIGINAL DRAWING



A-A



RAW MAT.	Quantity	Material Number	Material Description	Length (mm)	Width (mm)
1					
Sheet: A2		Extra info:		General tolerance: ISO 2768 - mK	
Drawn: TM		Weight (kg): 0,1		Drawn according: ISO268; ISO1101; ISO2553	
Date: 3-8-2020				Status: Standard	
Spare part: False				Customer reference number:	
Quick search: POTGM		© All rights reserved. Reproduction is not permitted without written permission of GOUDSMIT Magnetic Systems BV		Document number: GM17562 Doc.Rev: -	
Description: PM-RHC-N-RB-D66x8.5xd5.5/22		Part number: GM17562		Rev: -	