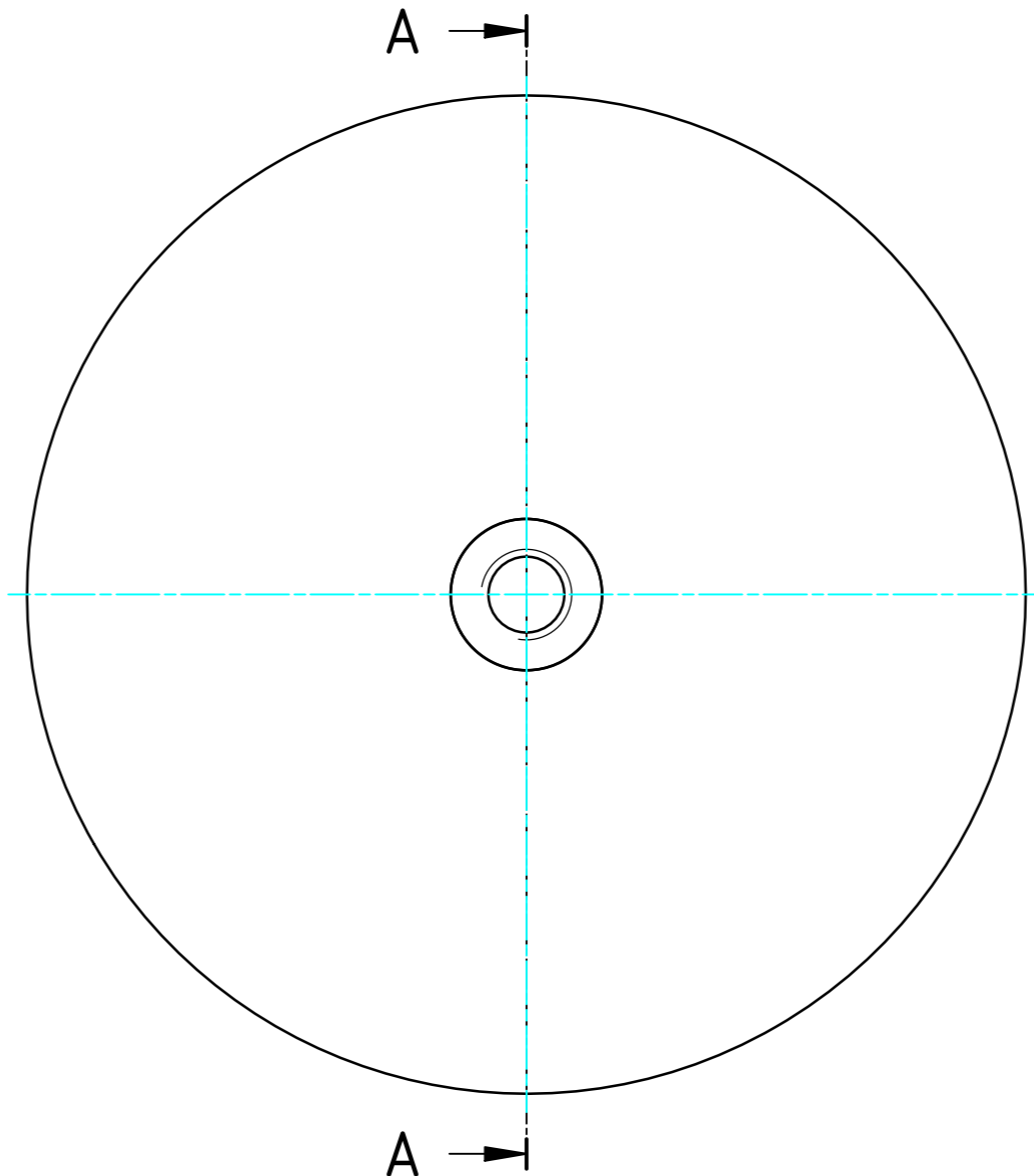
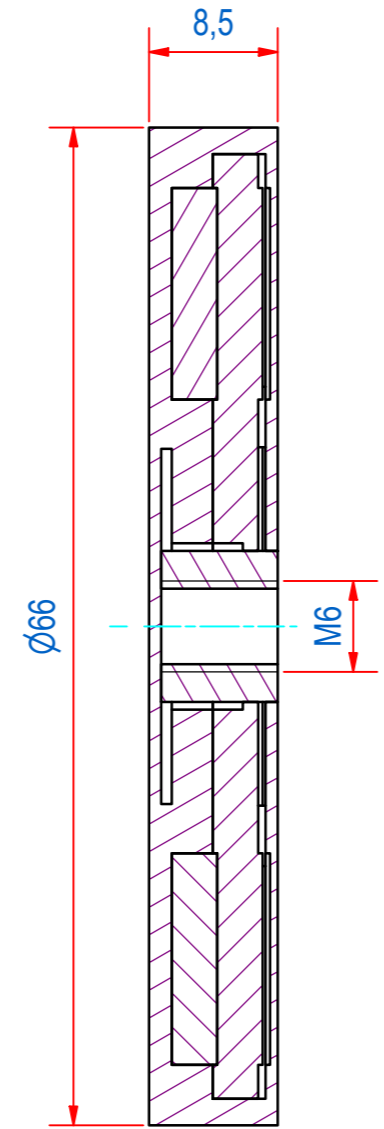
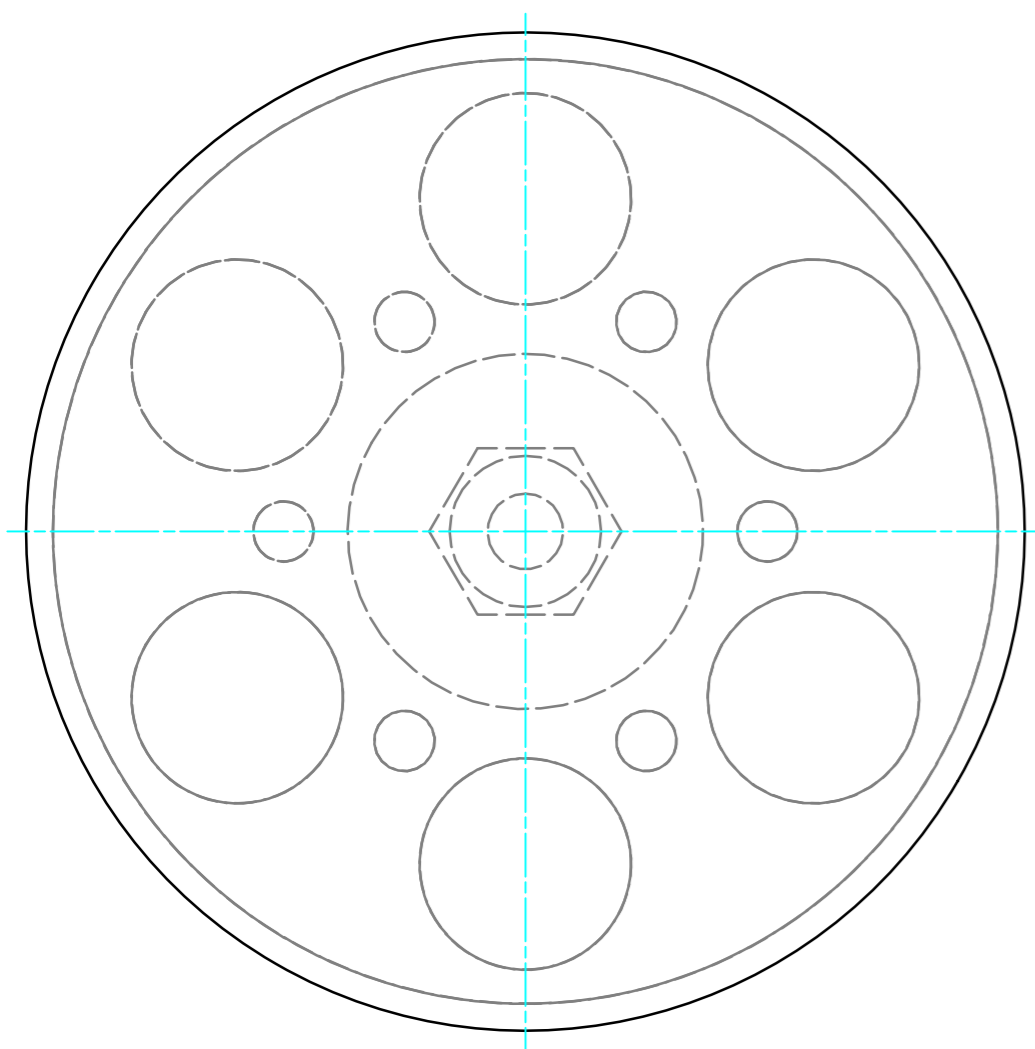
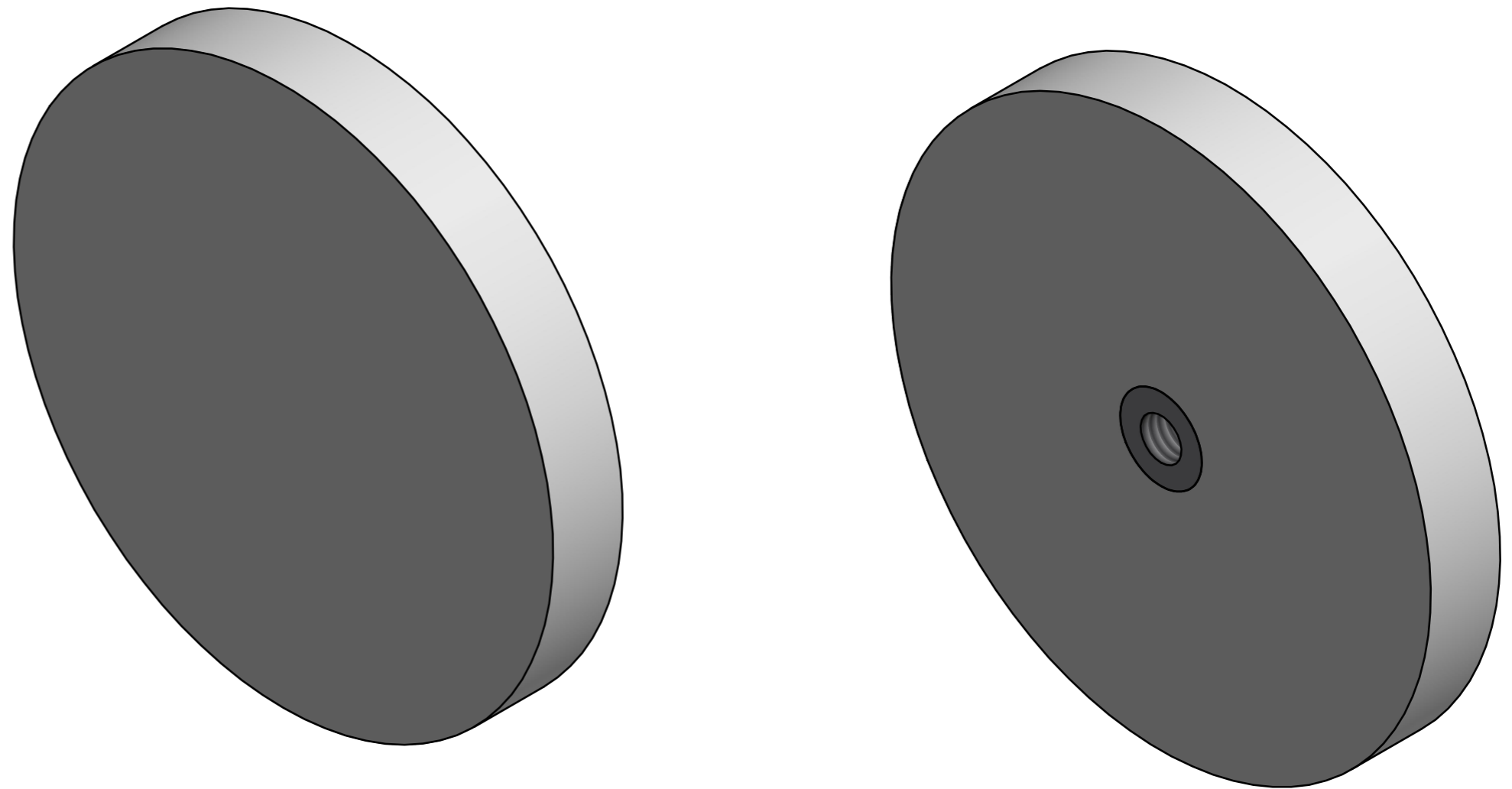


DOC.NR.	REV	DATE	BY	DESCRIPTION
GM1756301	-	23-7-2020	TM	ORIGINAL DRAWING



A-A

RAW MAT.	1	Quantity	Material Number	Material Description	Length (mm)	Width (mm)
Symbol	Sheet: A2	Weight (kg): 0,11	Extra info: POT MAGNET NEODYMIUM	General tolerance: ISO 2768 - mK		
Drawn: TM	Date: 23-7-2020	Source: False		Drawn according: ISO268; ISO1101; ISO2553		
Quick search: POTGM	Description: PM-RTI-N-RW-D66x8.5xM6			Status: Standard	Customer reference number:	
			© All rights reserved. Reproduction is not permitted without written permission of GOUDSMIT Magnetic Systems BV	Document number: GM1756301	Doc.Rev: -	
				Part number: GM1756301	Rev: -	