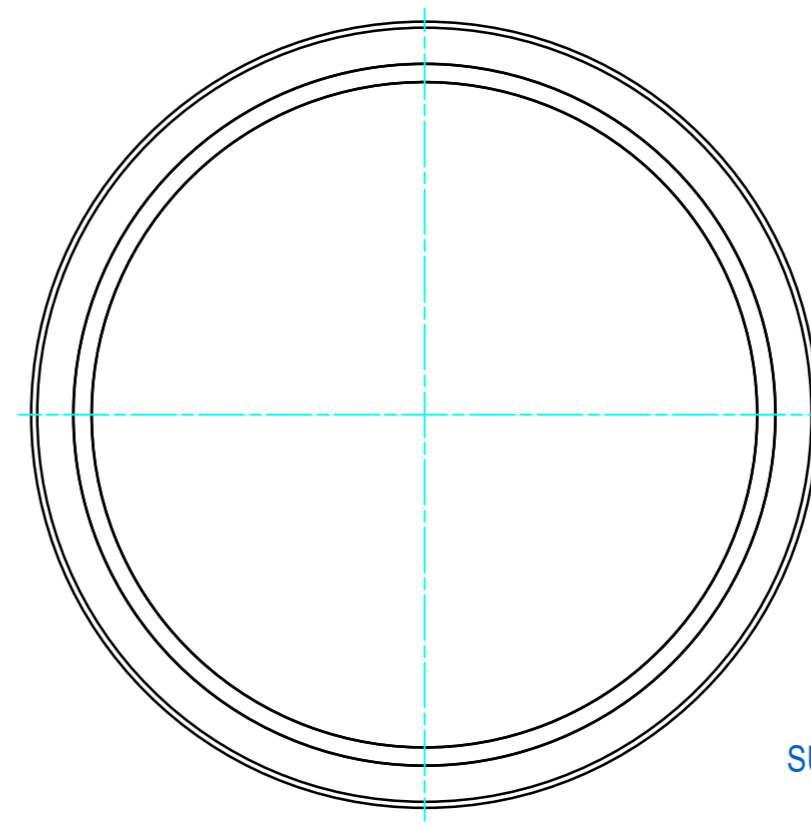
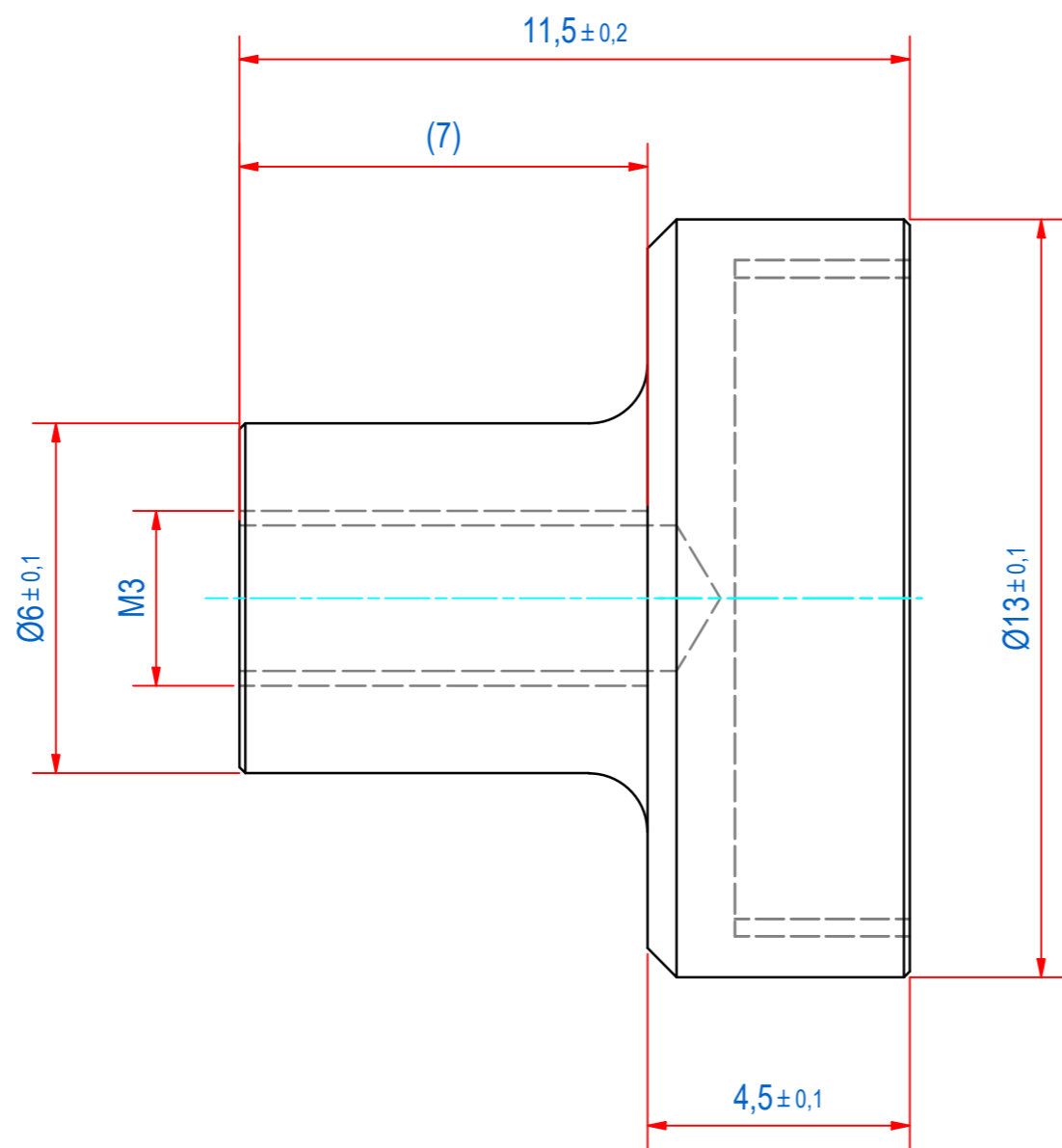
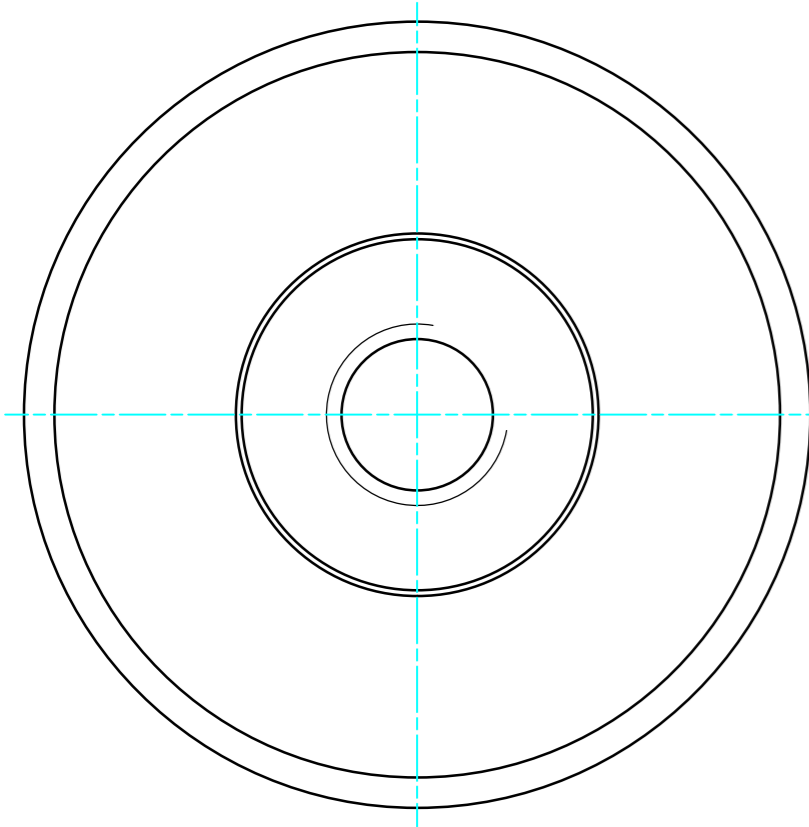
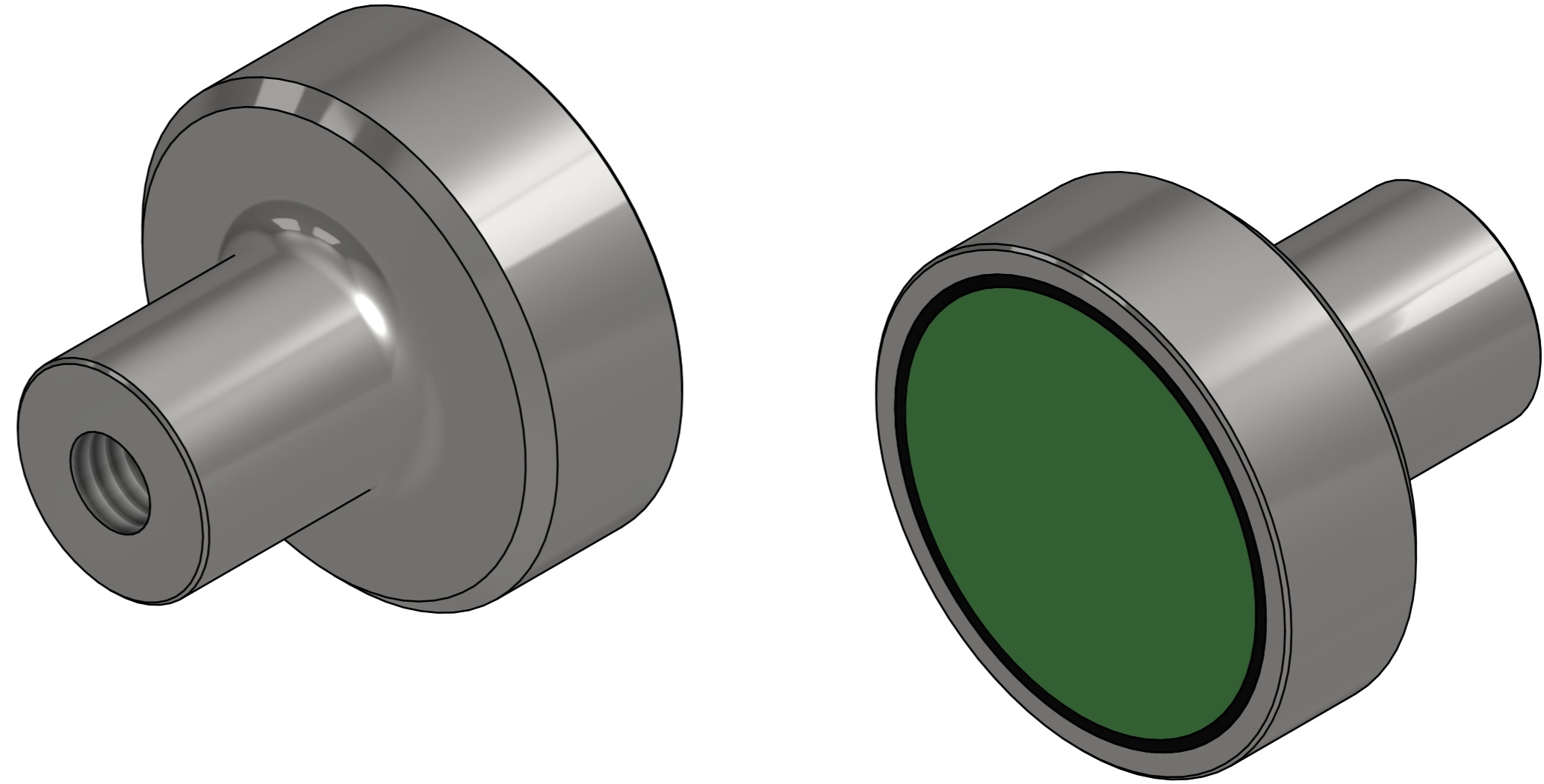


| DOC.NR. | REV | DATE | BY | DESCRIPTION |
|---------|-----|-----------|----|------------------|
| GM17603 | - | 2-10-2019 | PV | ORIGINAL DRAWING |



SURFACE TREATMENT: ZINC PLATED

| | | | | | | |
|---|---------------------|---|---------------------------------|----------------------------|-------------|------------|
| RAW MAT. | 1 | Quantity | Material Number | Material Description | Length (mm) | Width (mm) |
| Symbol | Sheet: A2 | Extra info: NEODYMIUM POTMAGNET | General tolerance: ISO 2768- mK | | | |
| Drawn: PV | Weight (kg): 0,006 | Drawn according: ISO268; ISO1101; ISO2553 | | Status: Standard | | |
| Date: 17-7-2019 | Source: | | | Customer reference number: | | |
| Spare part: False | Quick search: POTGM | | | Document number: E0118831 | | Doc.Rev: - |
| Description: PM-TB-N-SG-D13x4.5x11.5xM3 | | | | Part number: GM17603 | | Rev: - |