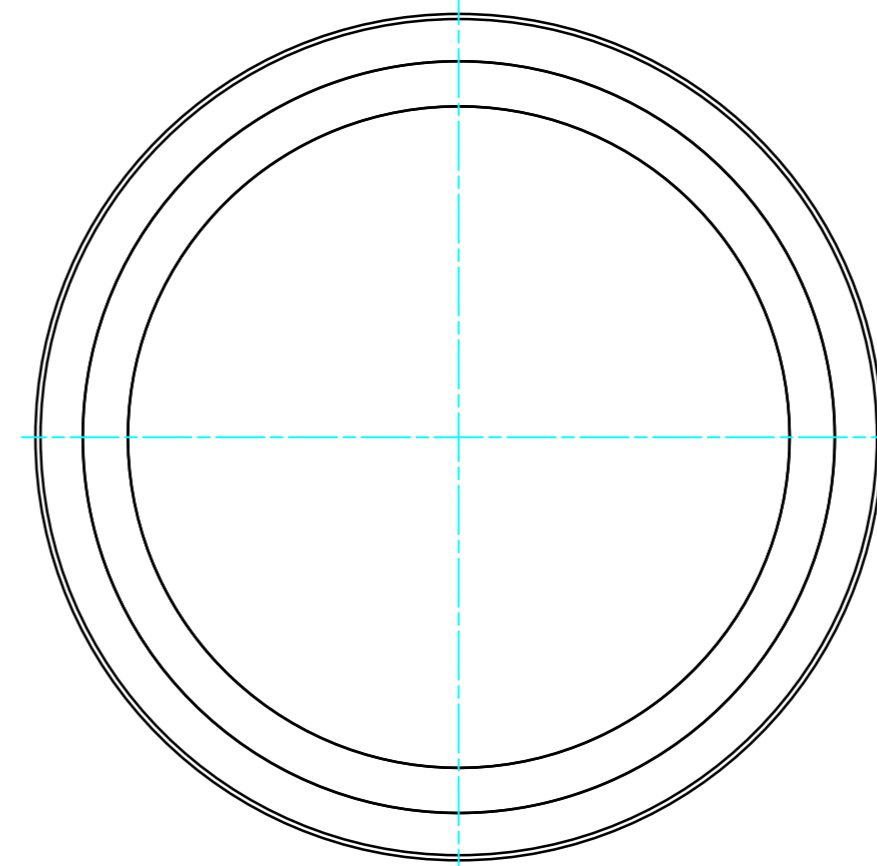
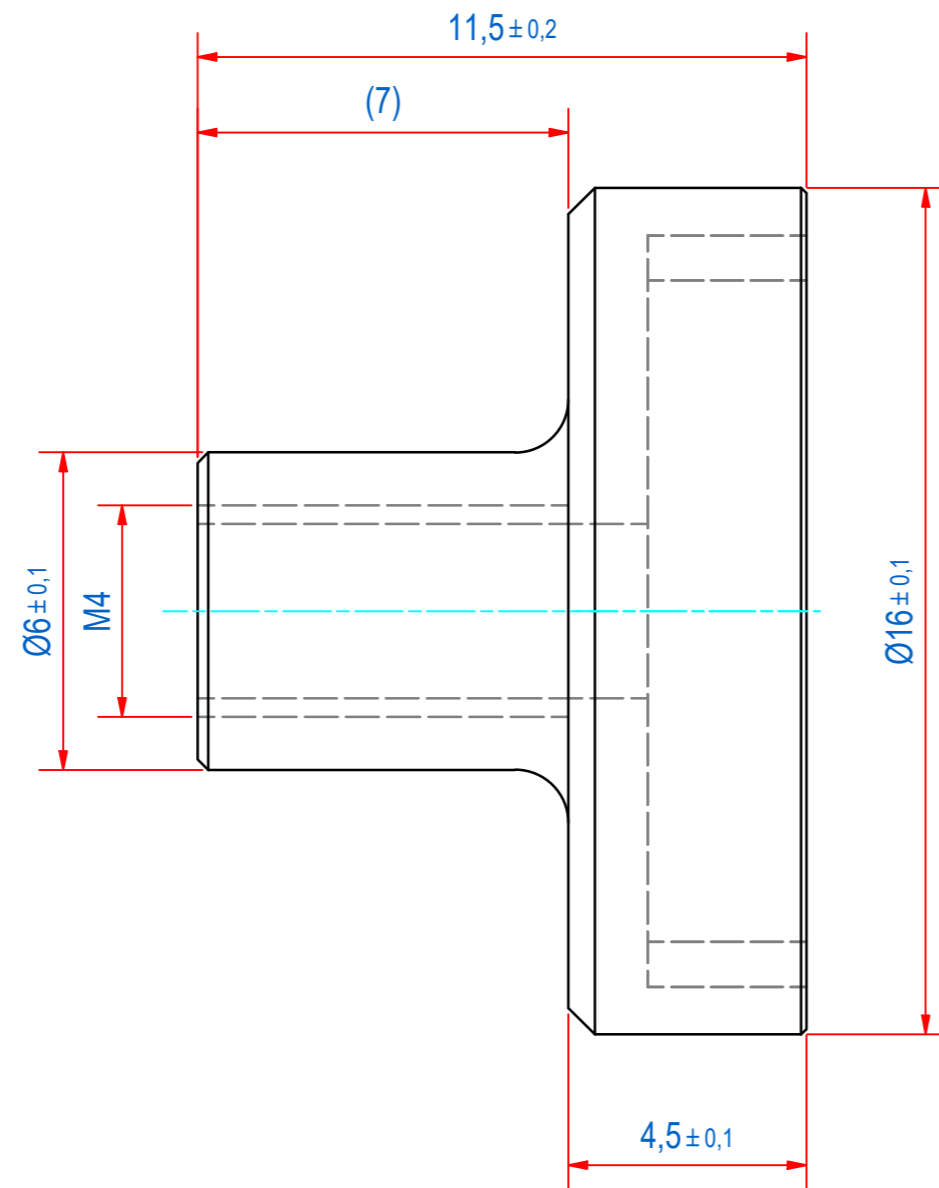
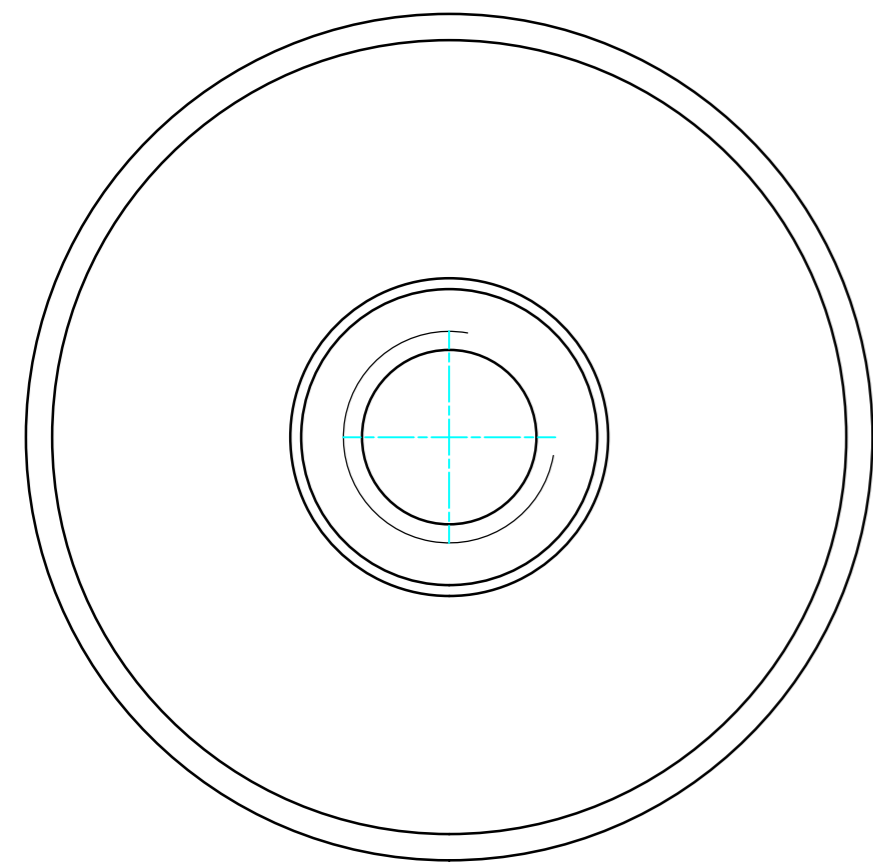
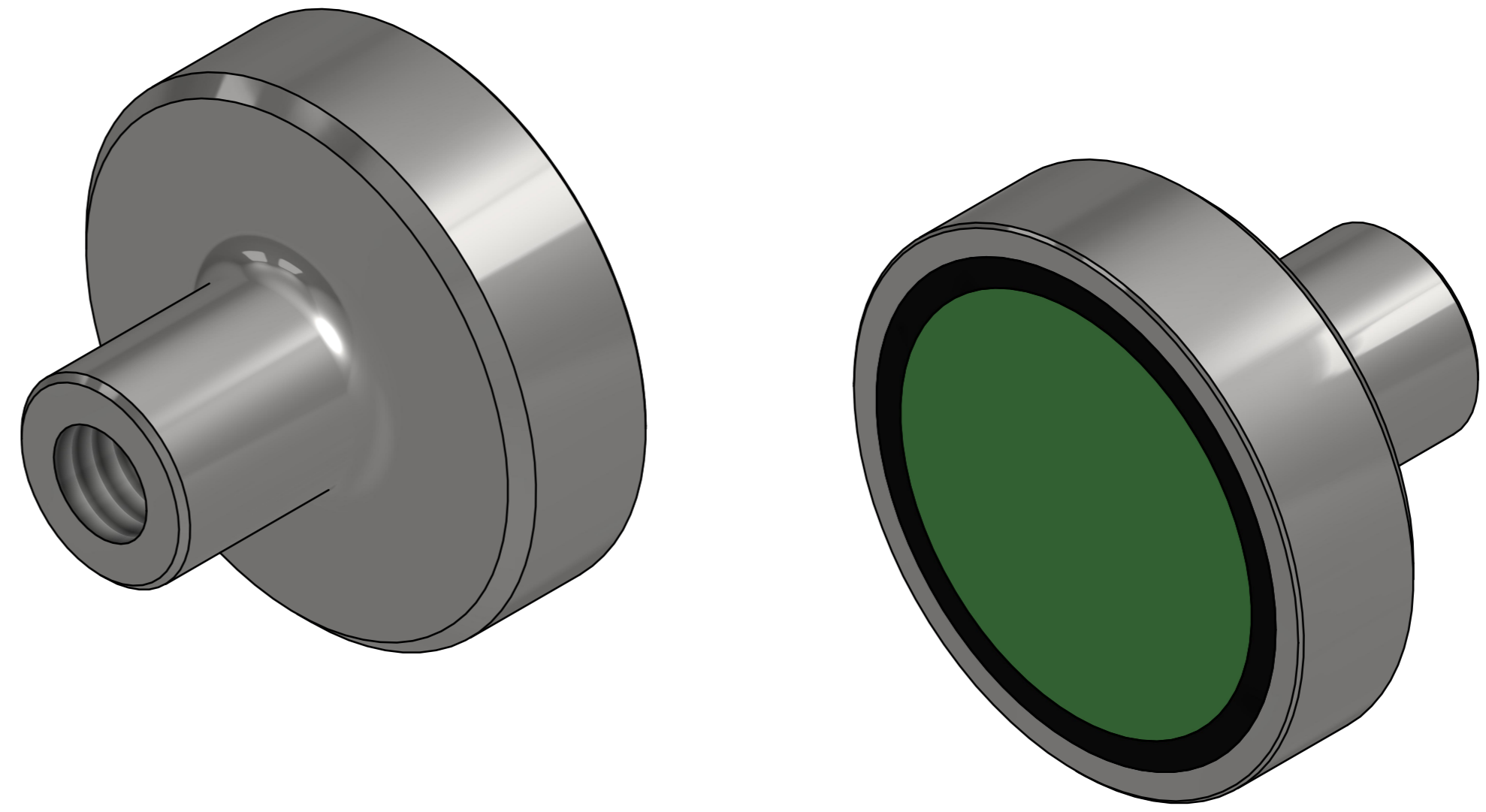


DOC.NR.	REV	DATE	BY	DESCRIPTION
GM17604	-	12-7-2019	PV	ORIGINAL DRAWING



SURFACE TREATMENT: ZINC PLATED

RAW MAT.	1						
Quantity		Material Number		Material Description	Length (mm)	Width (mm)	
Sheet:	A2	Extra info:	POTMAGNET NEODYMIUM		General tolerance: ISO 2768- mK		
Drawn:	PV	Weight (kg):	0,007		Drawn according: ISO268; ISO1101; ISO2553		
Date:	15-7-2019	Source:			Status: Standard		
Spare part:	False	POTGM			Customer reference number:		
Quick search:	POTGM	Description:		<small>© All rights reserved. Reproduction is not permitted without written permission of GOUDSMIT Magnetic Systems BV</small>		Document number:	Doc.Rev:
				PM-TB-N-SG-D16x4.5x11.5xM4		E0118839	-
				GM17604		Part number:	Rev: