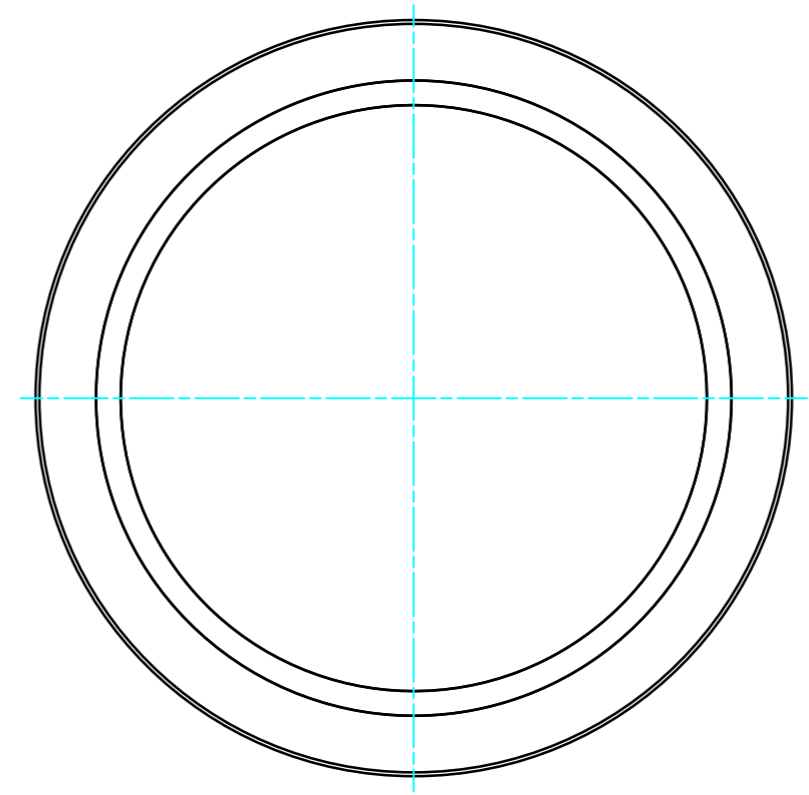
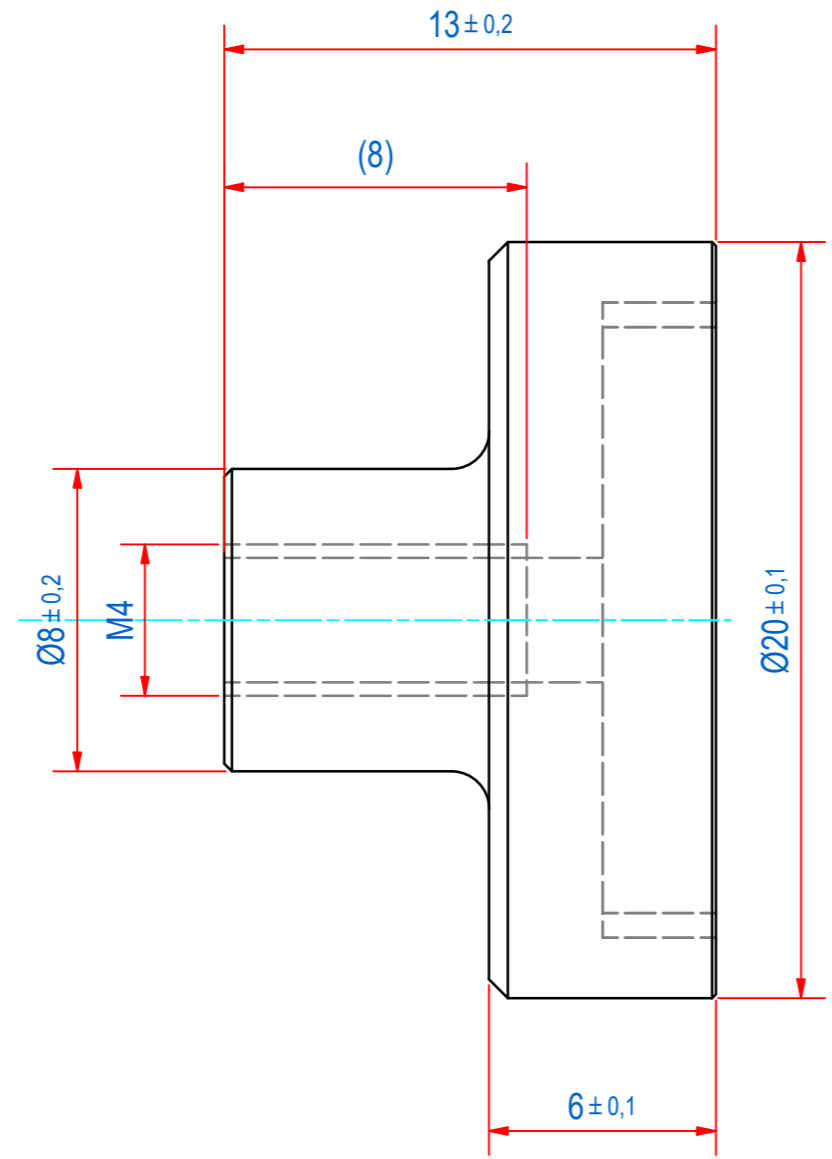
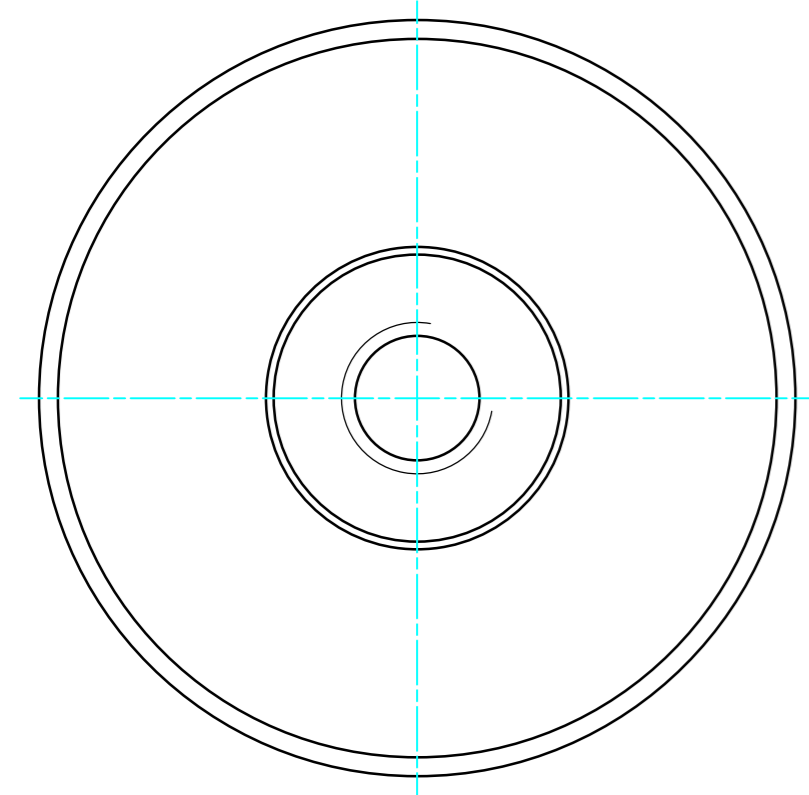
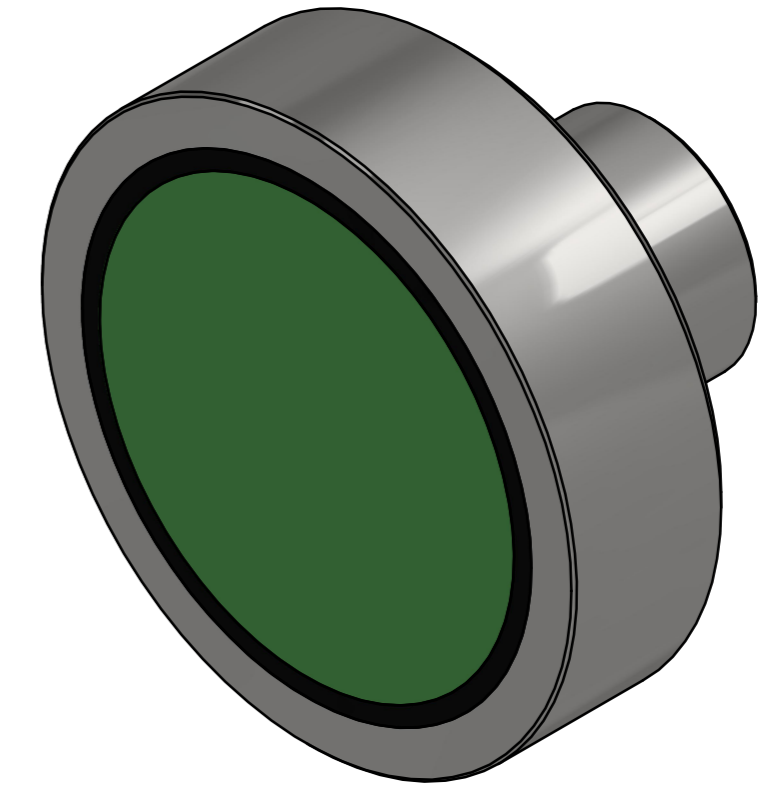
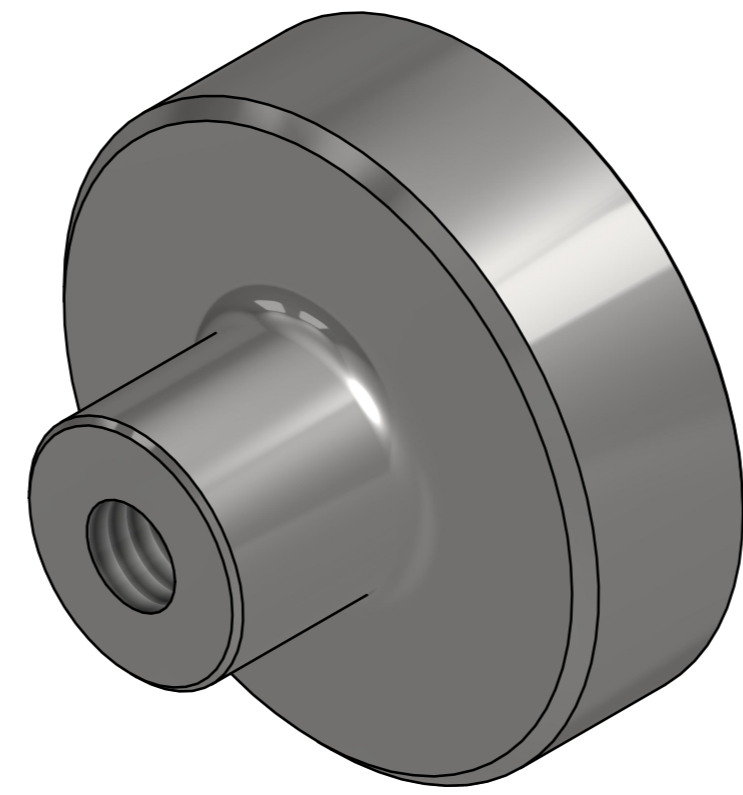


DOC.NR.	REV	DATE	BY	DESCRIPTION
E0118874	-	2-10-2019	PV	ORIGINAL DRAWING
GM17605	A	5-8-2020	TM	Ø8±0.1 CORRECTED TO Ø8±0.2



SURFACE TREATMENT: ZINC PLATED

RAW MAT.	1	Quantity	Material Number	Material Description	Length (mm)	Width (mm)
Drawn:	PV	Weight (kg):	0,016	Extra info:	POTMAGNET NEODYMIUM	
Date:	17-7-2019	General tolerance:	ISO 2768- mK			
Spare part:	False	Drawn according:	ISO268; ISO1101; ISO2553			
Quick search:	POTGM	Status:	Standard			
Description:	PM-TB-N-SG-D20x6x13xM4			Document number:	E0118874	Doc.Rev: A
		Part number:	GM17605			