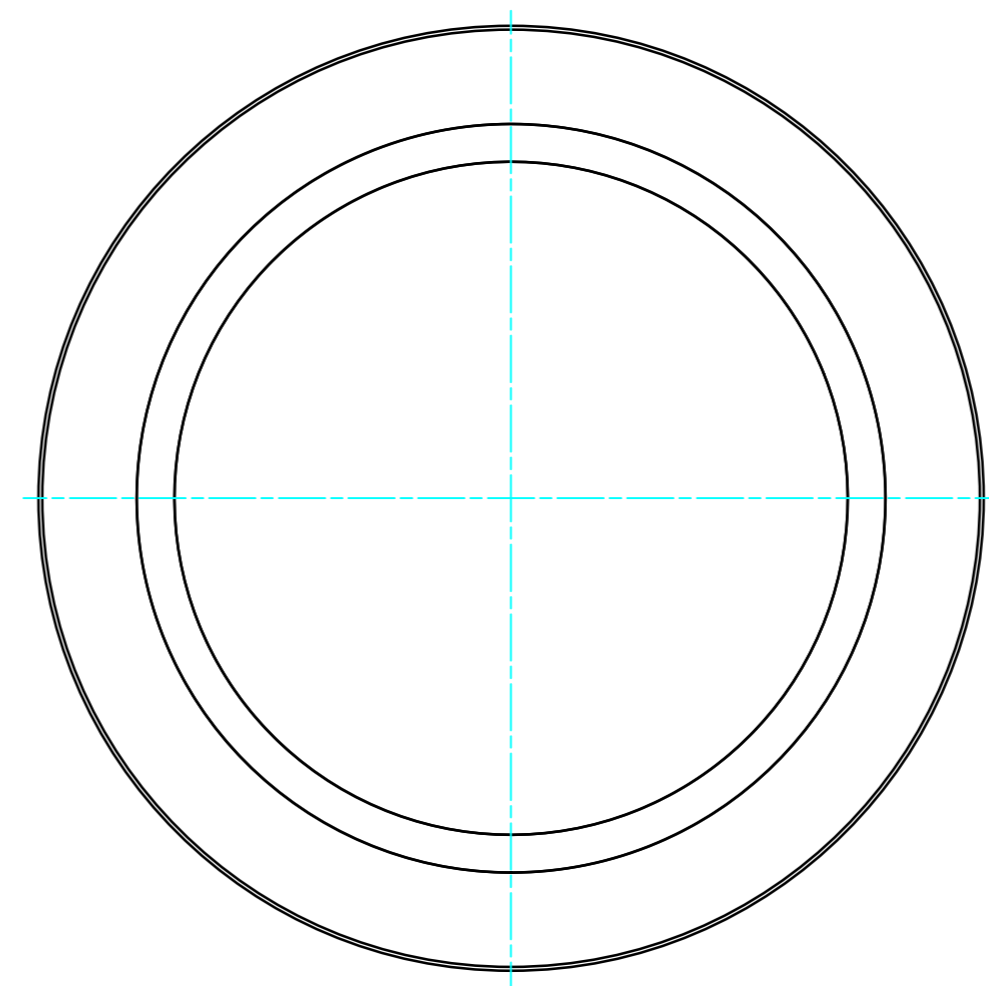
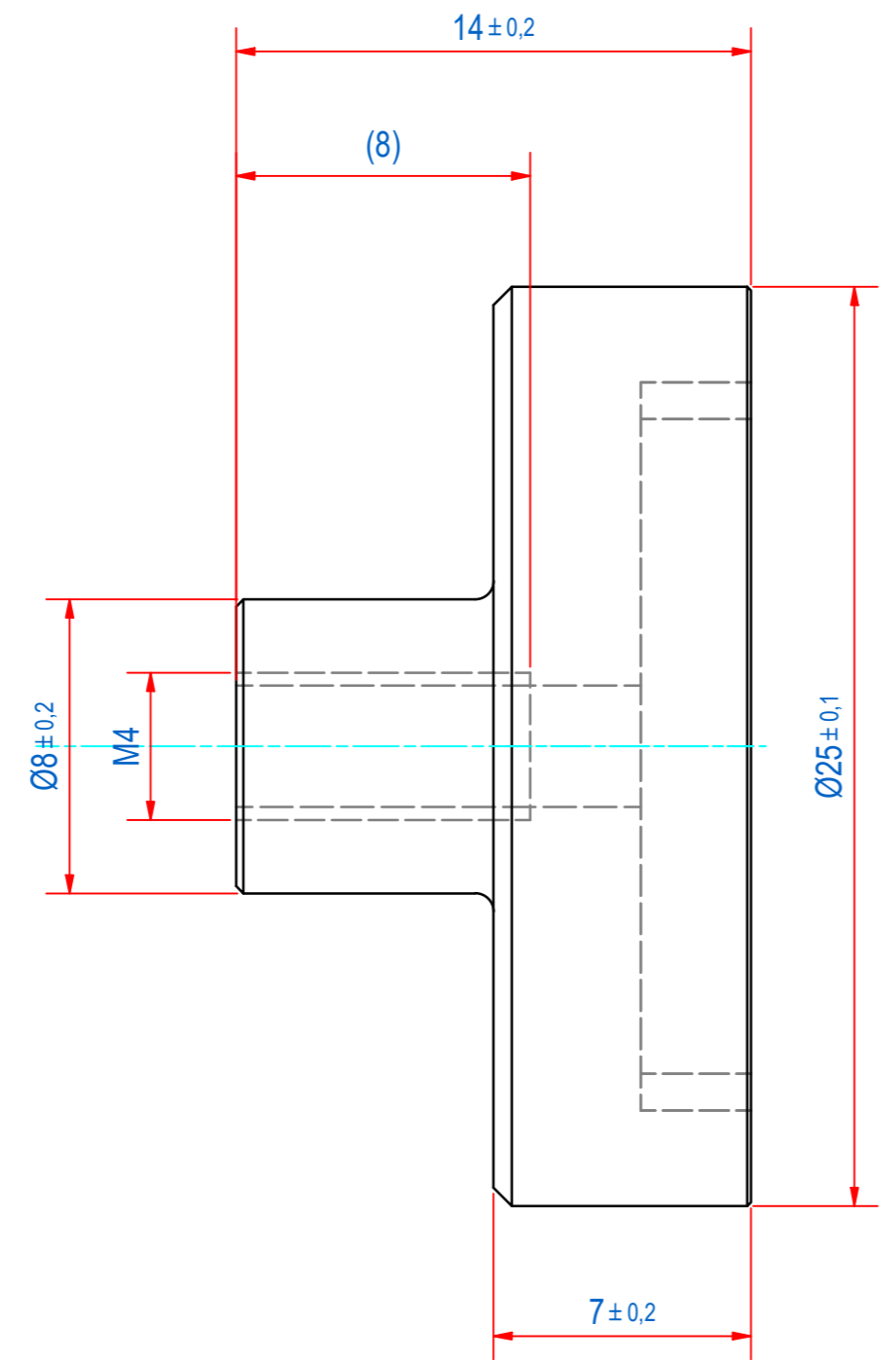
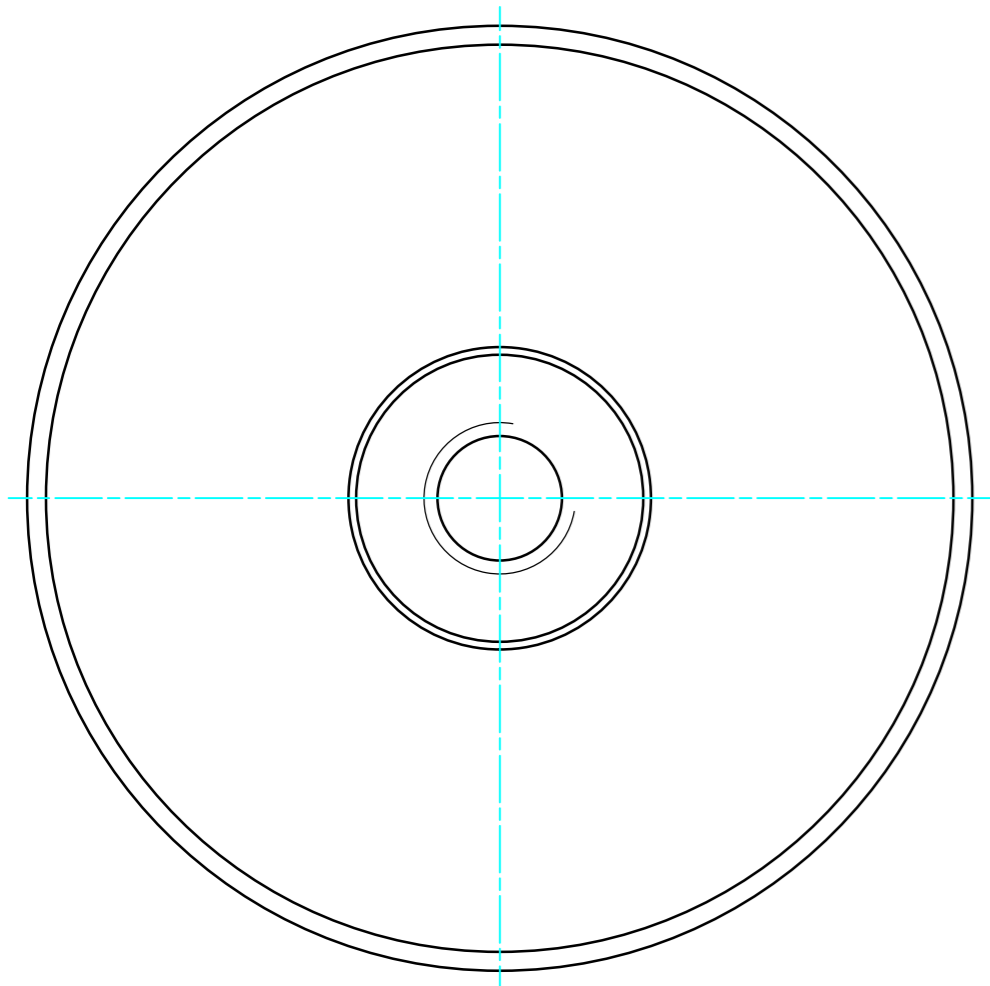
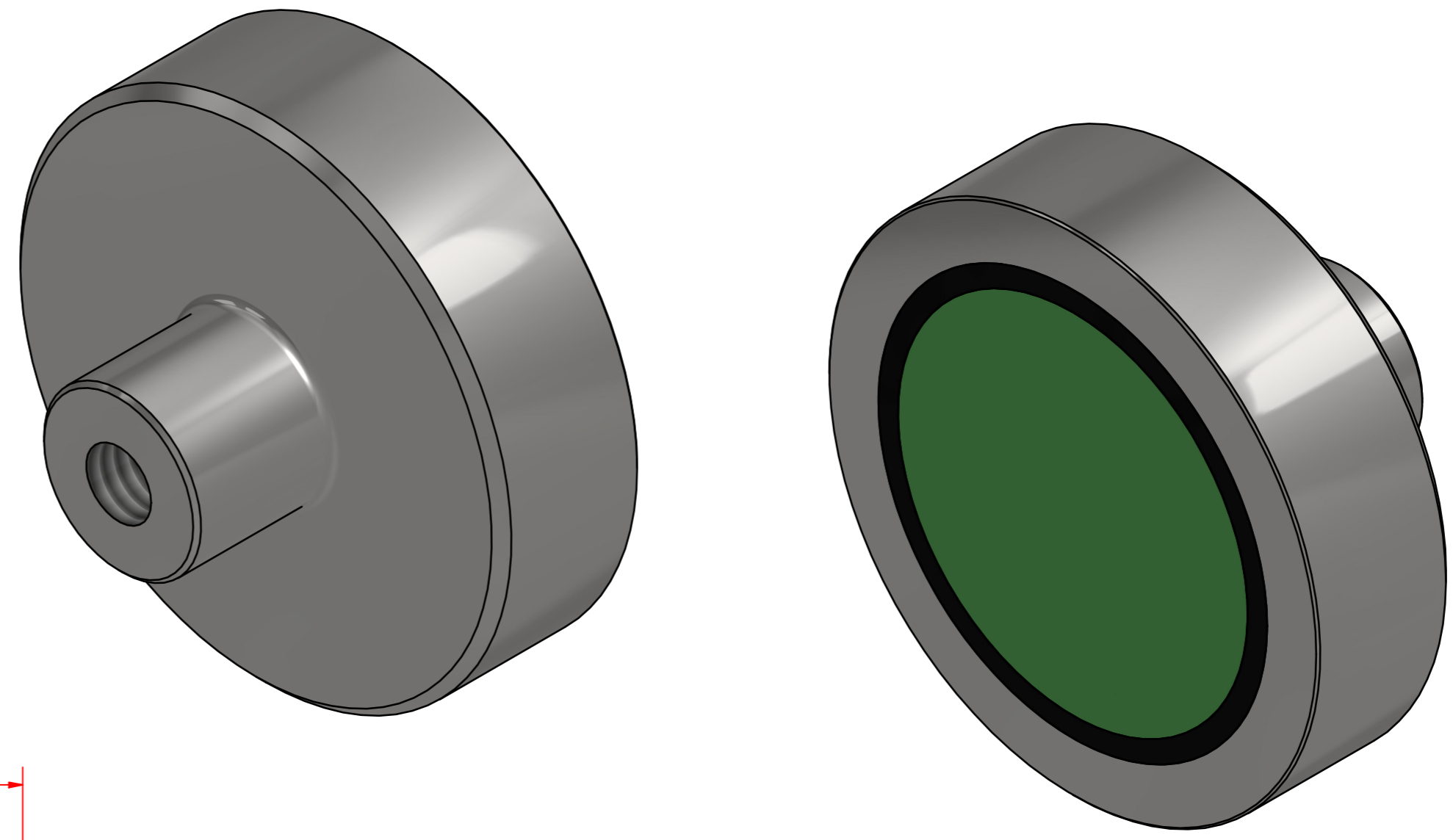



DOC.NR.	REV	DATE	BY	DESCRIPTION
E0118882	-	2-10-2019	PV	ORIGINAL DRAWING
GM17606	A	17-8-2020	TM	DRAWING CORRECTION



SURFACE TREATMENT: ZINC PLATED

RAW MAT.	1	Quantity	Material Number	Material Description	Length (mm)	Width (mm)	
Sheet:	A2	Extra info:	POTMAGNET NEODYMIUM			General tolerance:	ISO 2768- mK
Drawn:	PV	Weight (kg):	0,028			Drawn according:	ISO268; ISO1101; ISO2553
Date:	17-7-2019	Status:	Standard			Customer reference number:	
Spare part:	False	Source:				Document number:	E0118882
Quick search:	POTGM	Description:	PM-TB-N-SG-D25x7x14xM4			Doc.Rev:	A
						Part number:	GM17606
						Rev:	-