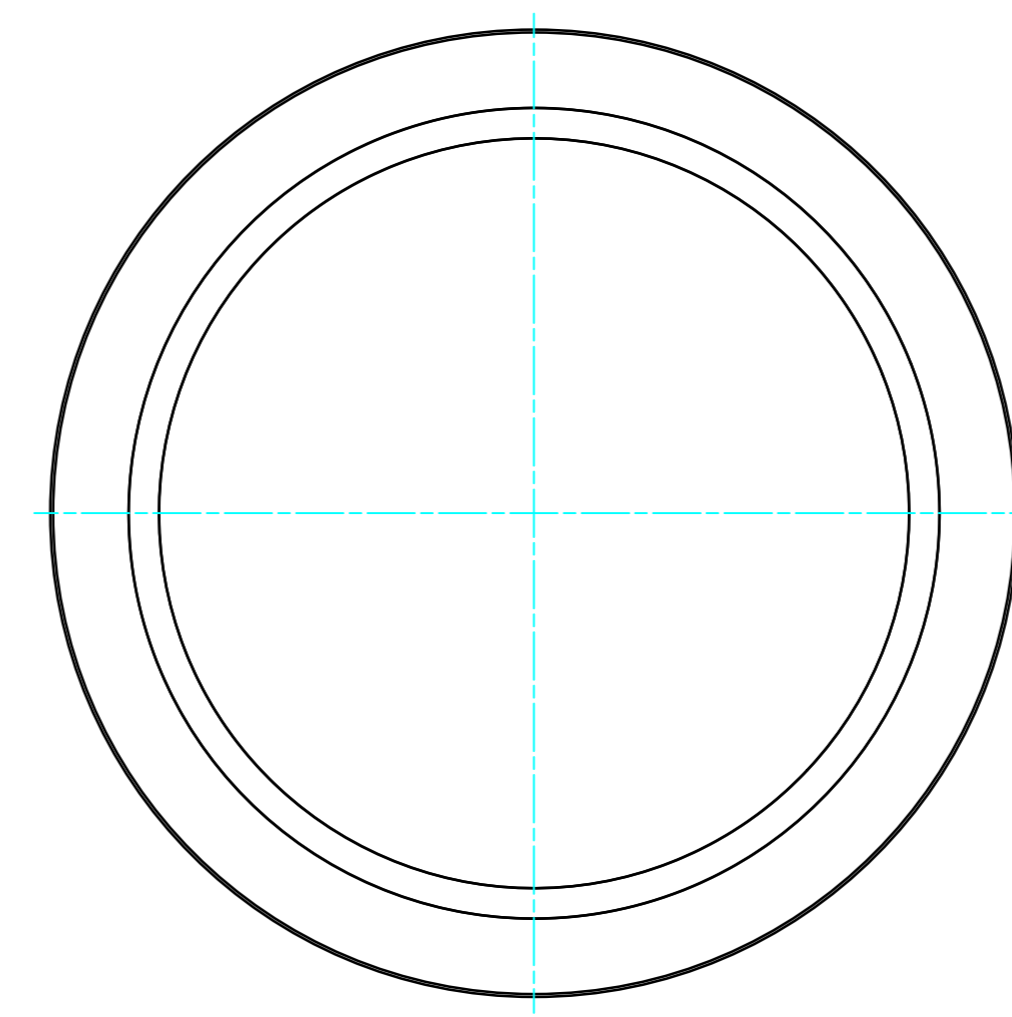
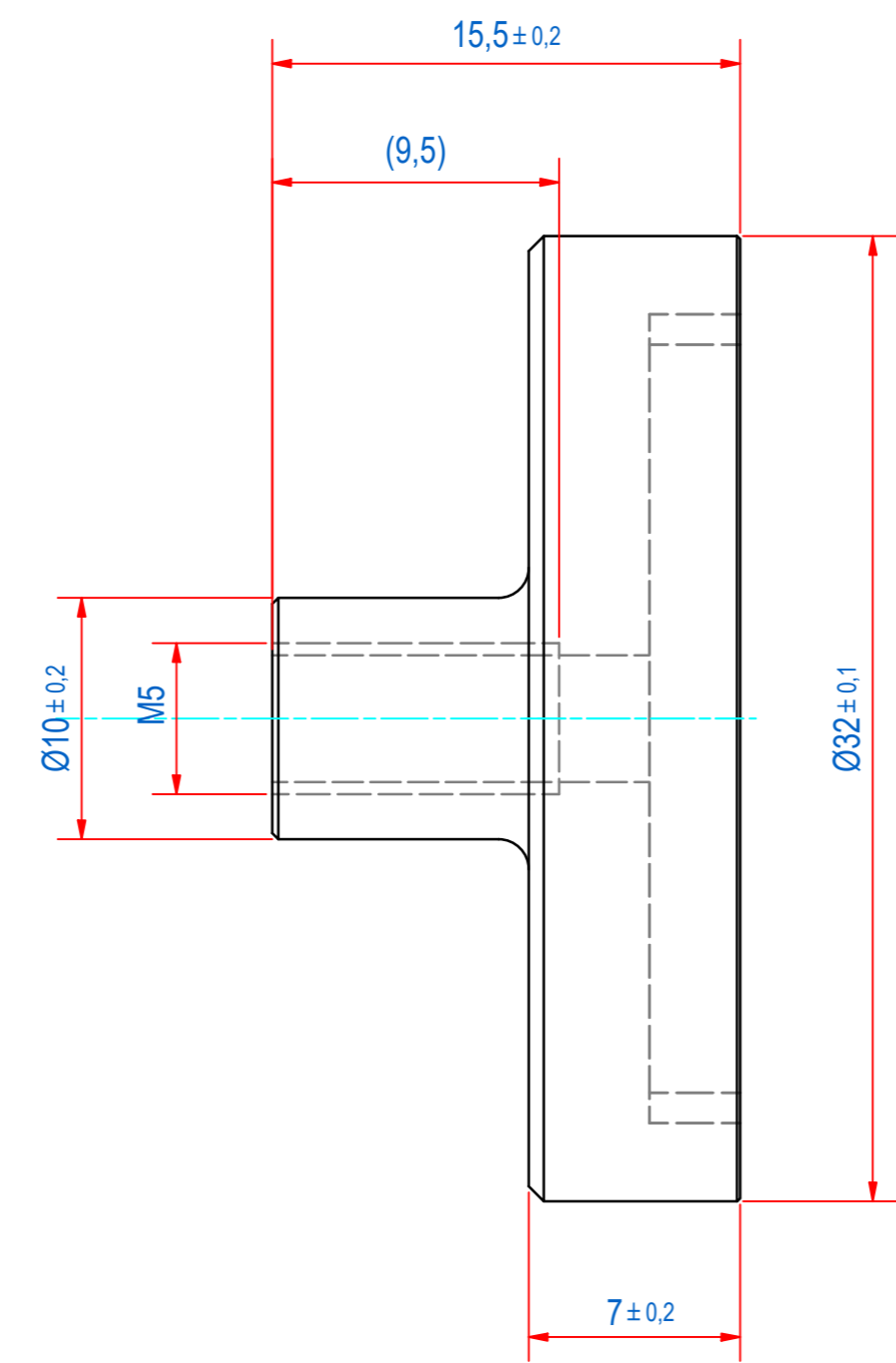
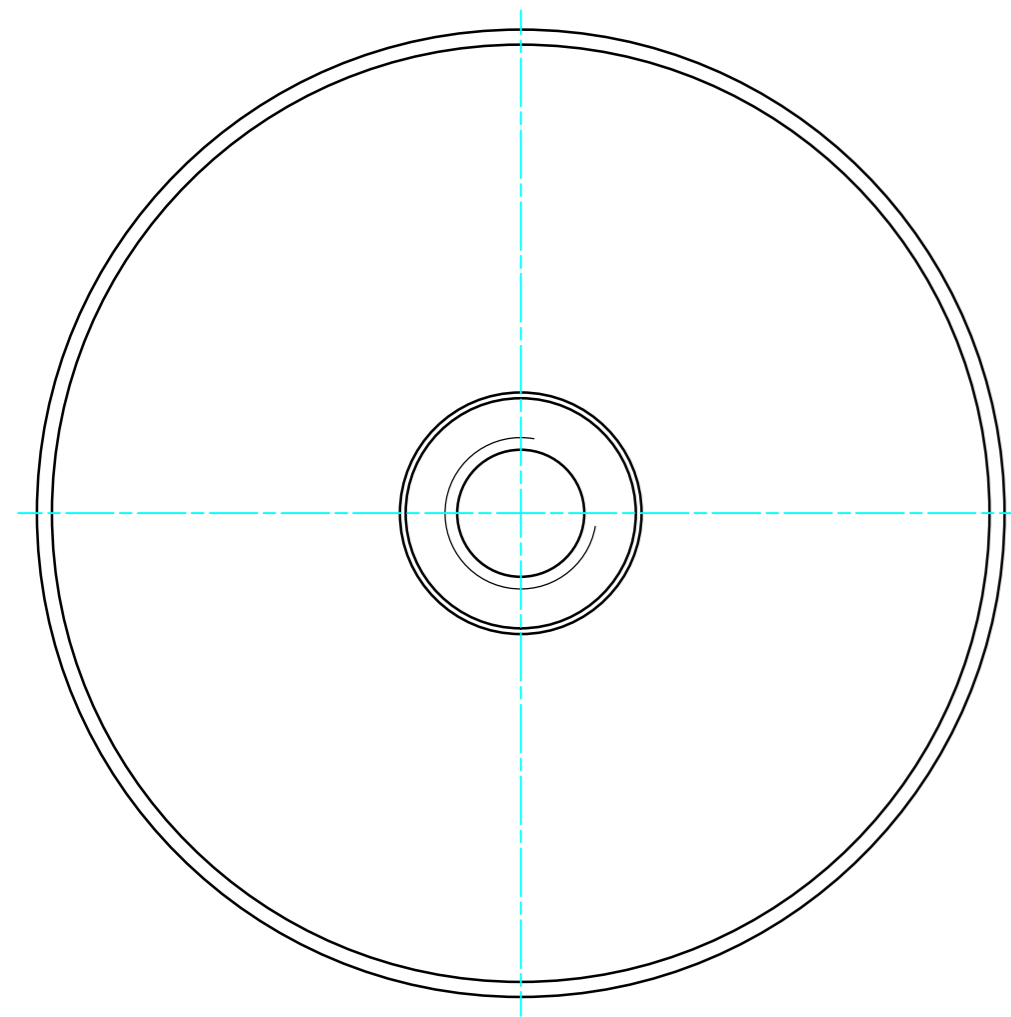
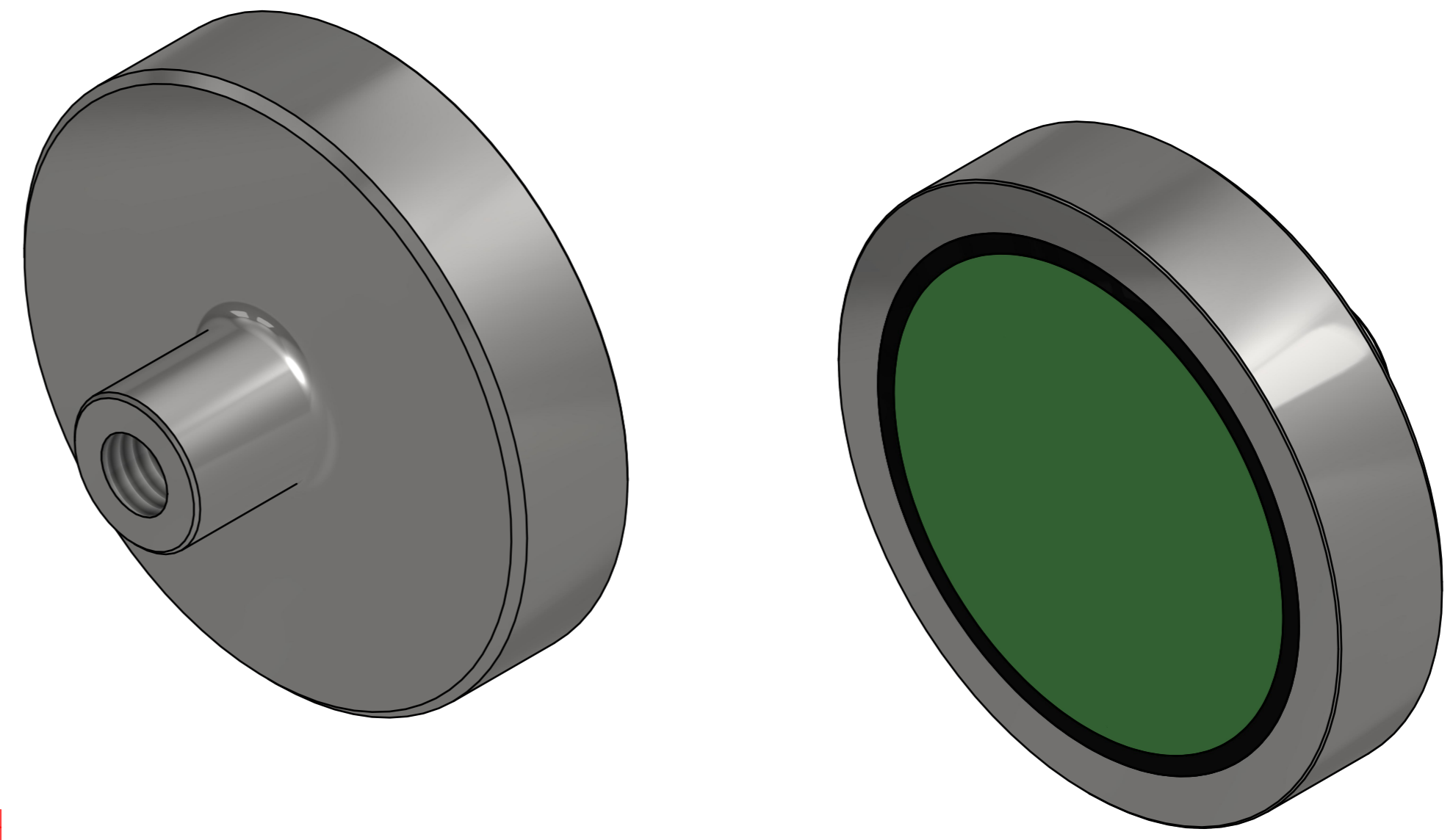


DOC.NR.	REV	DATE	BY	DESCRIPTION
E0118896	-	2-10-2019	PV	ORIGINAL DRAWING
GM17607	A	17-8-2020	TM	DRAWING CORRECTIONS



SURFACE TREATMENT: ZINC PLATED

RAW MAT.	1	Quantity	Material Number	Material Description	Length (mm)	Width (mm)
Symbol	Sheet:	A2	Extra info:	POTMAGNET NEODYMIUM	General tolerance: ISO 2768- mK	
Drawn:	Weight (kg):	PV	0,044	Drawn according: ISO268; ISO1101; ISO2553		Status: Standard
Date:	17-7-2019	GOUDSMIT MAGNETICS		Customer reference number:		
Spare part:	False	© All rights reserved. Reproduction is not permitted without written permission of GOUDSMIT Magnetic Systems BV		Document number:	E0118896	Doc.Rev: A
Quick search:	POTGM	Description:		PM-TB-N-SG-D32x7x15.5xM5	Part number:	GM17607
				Rev:	-	