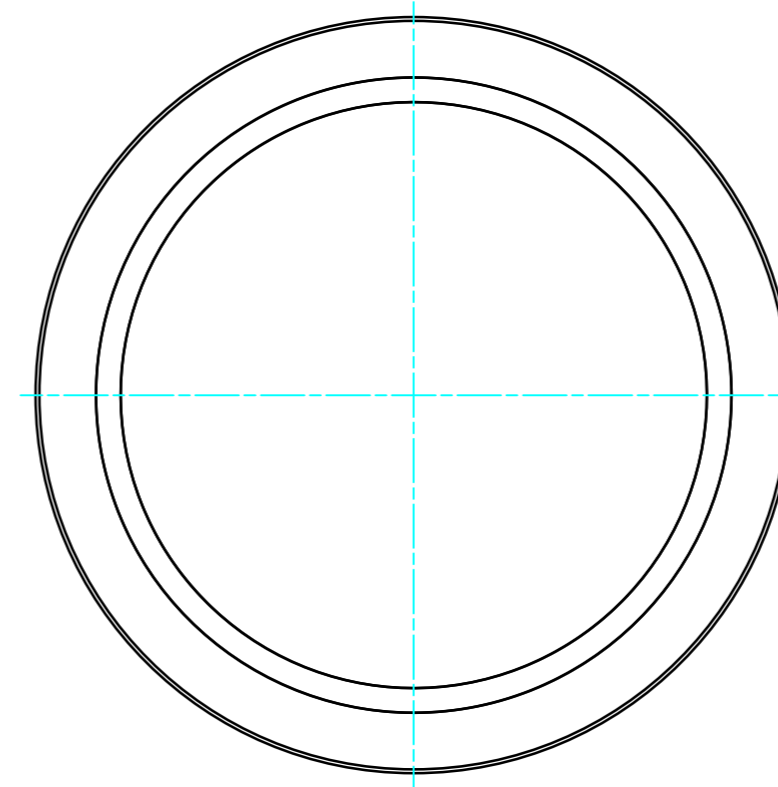
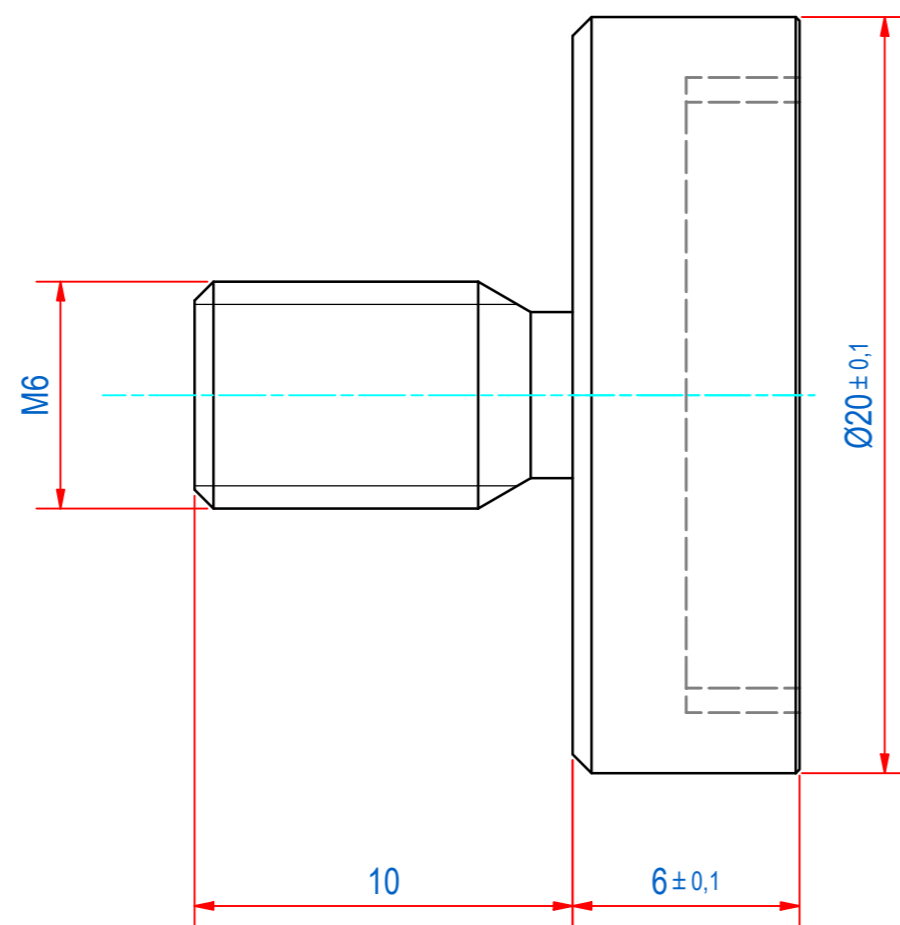
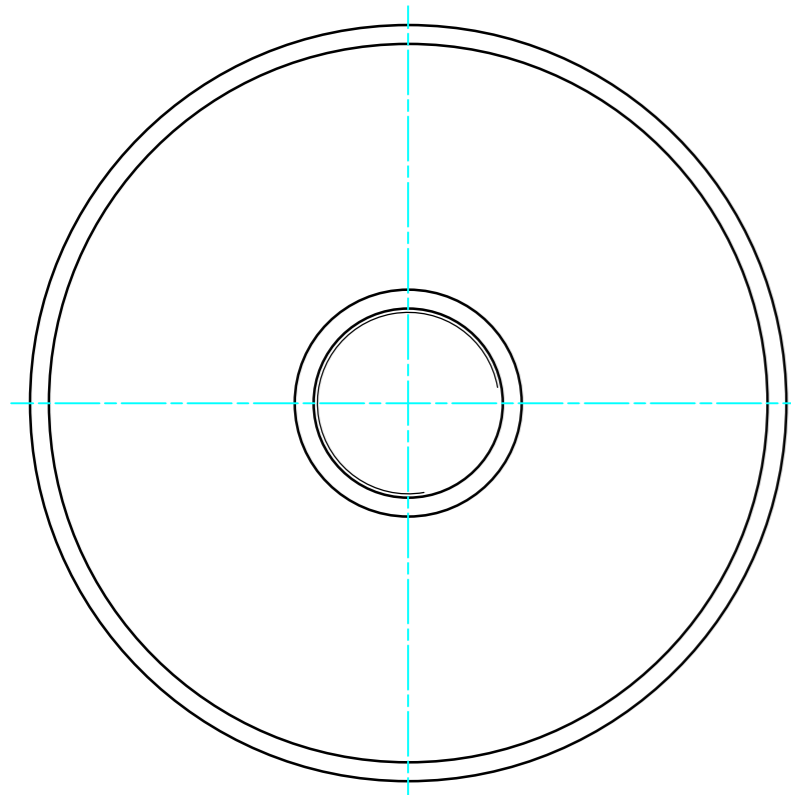
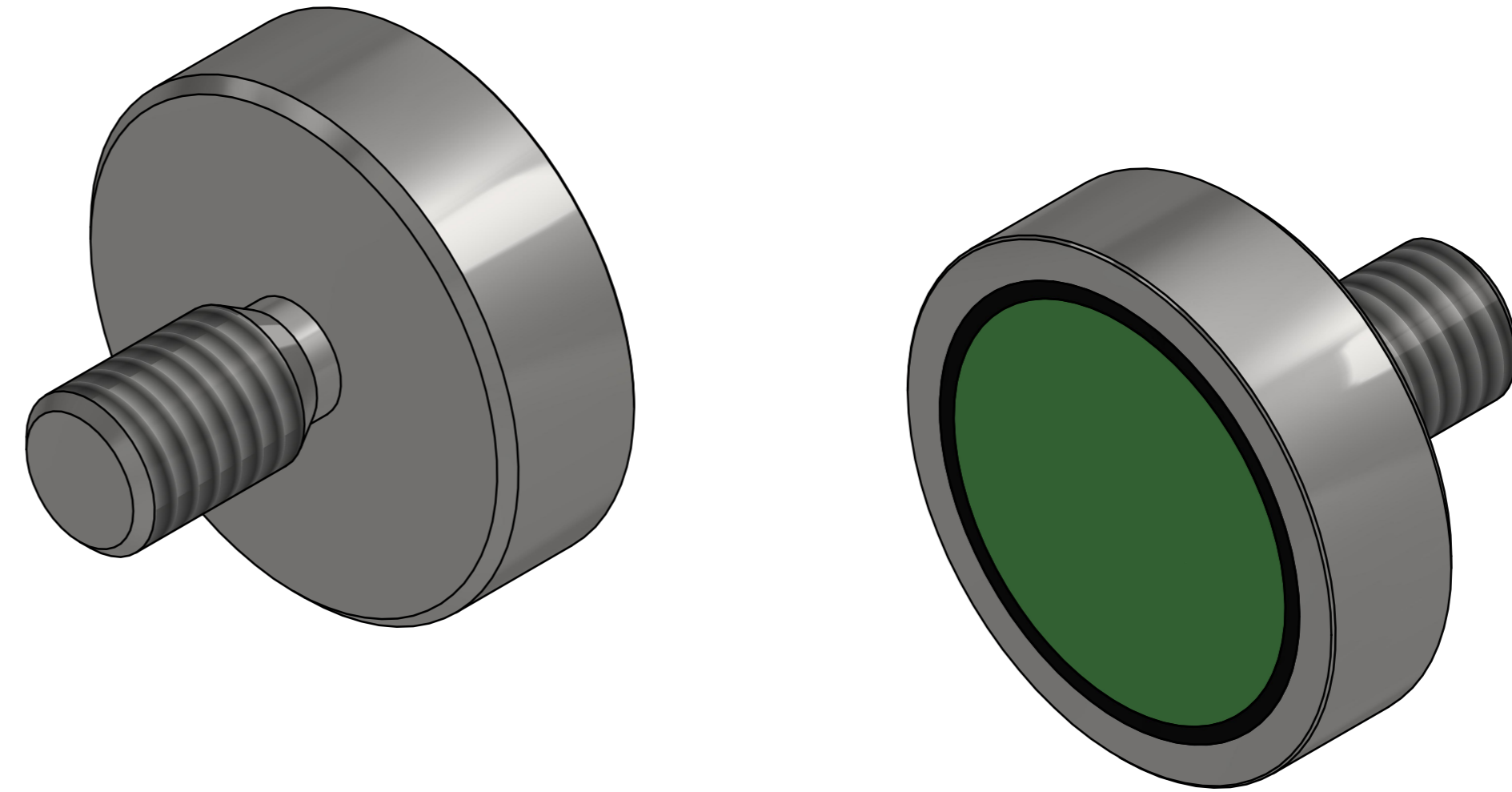


DOC.NR.	REV	DATE	BY	DESCRIPTION
E0119087	-	2-10-2019	PV	ORIGINAL DRAWING



SURFACE TREATMENT: ZINC PLATED

RAW MAT.	1								
Quantity		Material Number		Material Description		Length (mm)		Width (mm)	
Sheet:	A2	Extra info:		POTMAGNET NEODYMIUM	General tolerance:		ISO 2768- mK		
Drawn:	PV	Weight (kg):	0,016		Drawn according:		ISO268; ISO1101; ISO2553		
Date:	17-7-2019	Status:		Standard	Customer reference number:				
Spare part:	False	Source:			Document number:		E0119087		
Quick search:	POTGM	Description:			PM-TE-N-SG-D20x6xM6x10	Part number:		GM17625	
<small>© All rights reserved. Reproduction is not permitted without written permission of GOUDSMIT Magnetic Systems BV</small>									