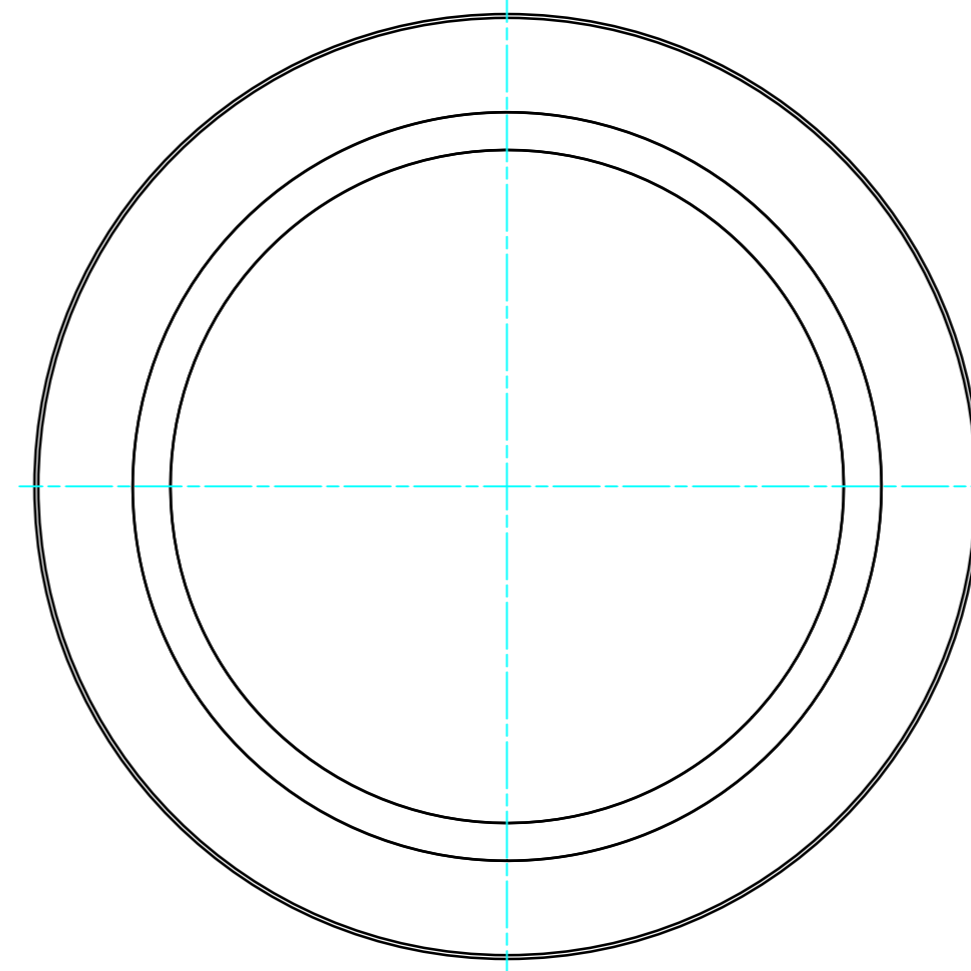
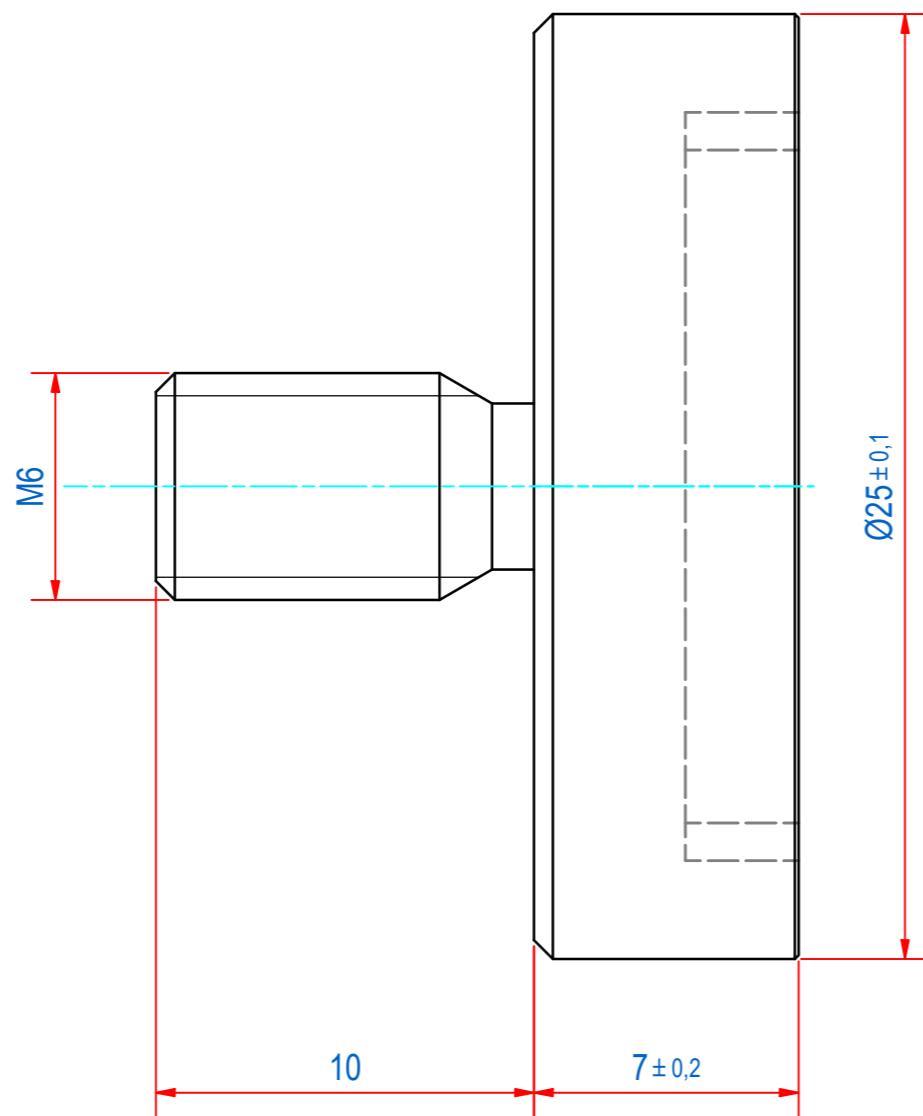
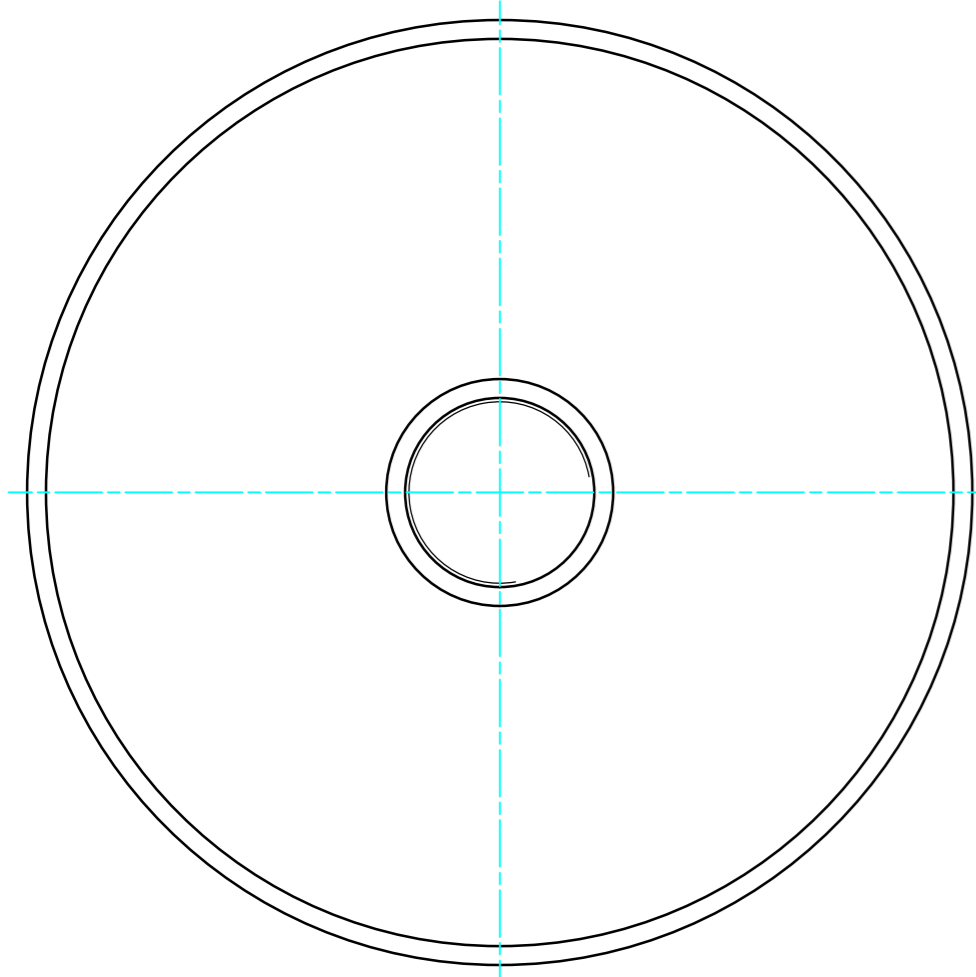
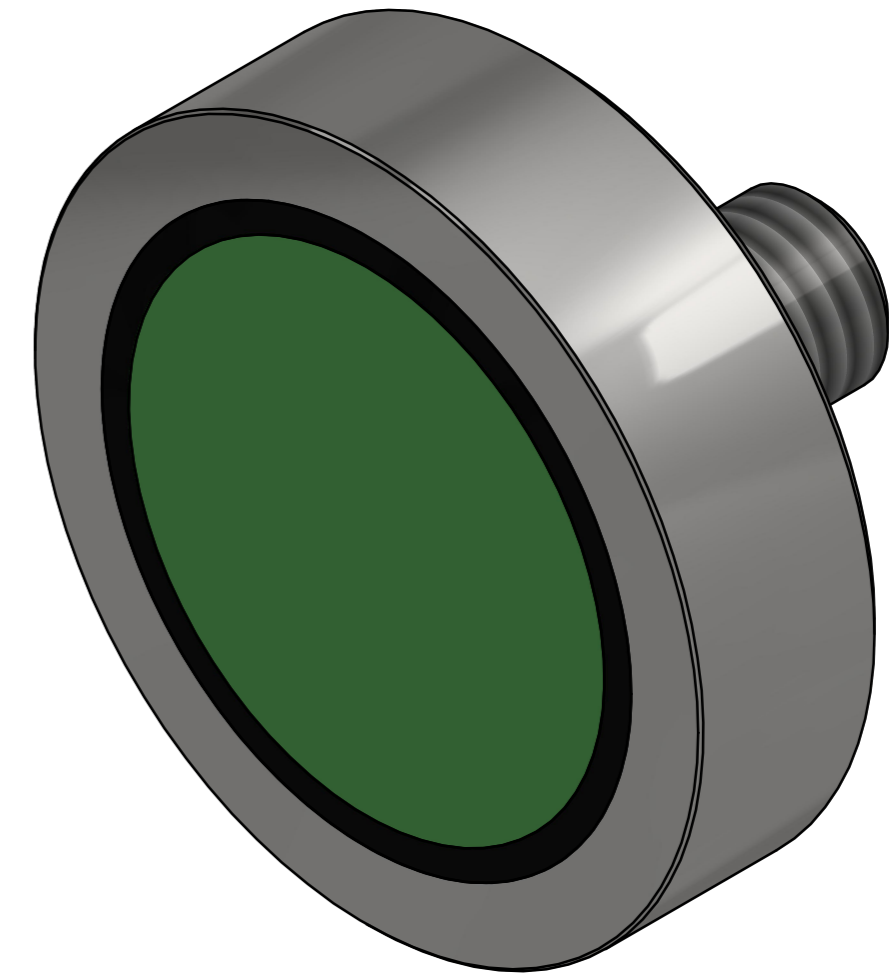
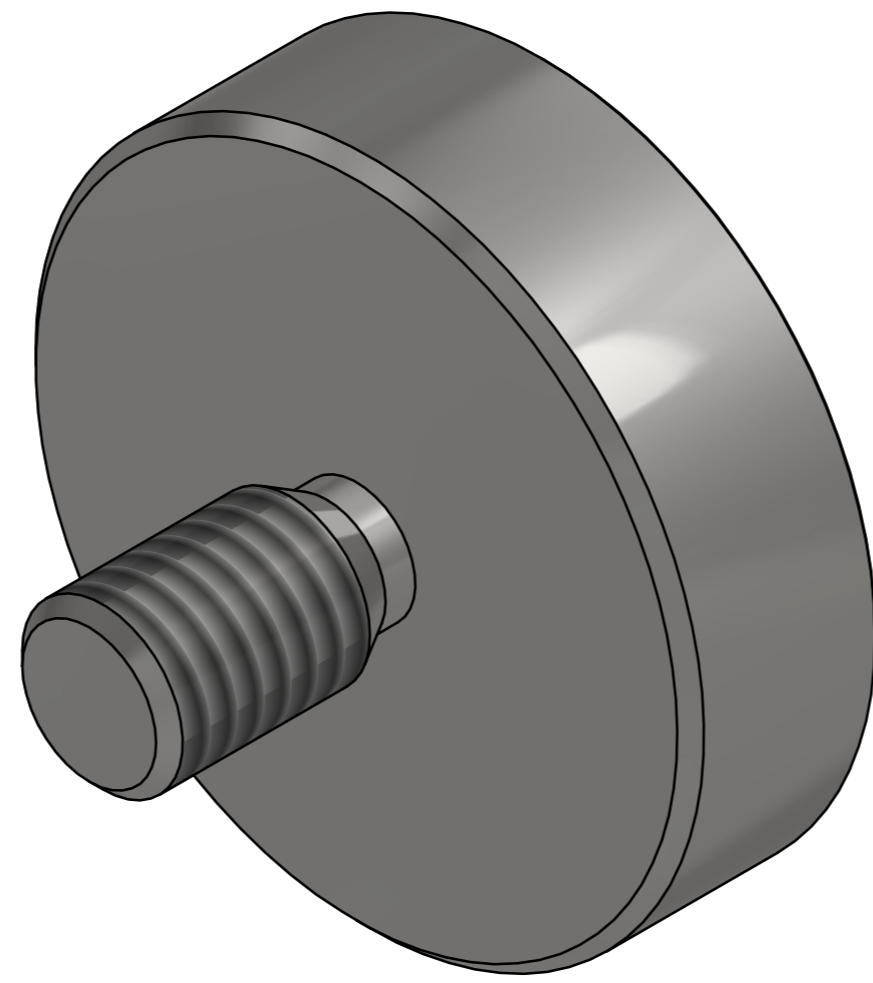


| DOC.NR. | REV | DATE | BY | DESCRIPTION |
|----------|-----|-----------|----|----------------------|
| E0119094 | - | 2-10-2019 | PV | ORIGINAL DRAWING |
| E0119094 | A | 19-8-2020 | TM | TOLERANCES CORRECTED |



SURFACE TREATMENT: ZINC PLATED

| | | | | | | |
|--|------------------------|--------------------|---------------------|-----------------------------|-------------|------------|
| RAW MAT. | 1 | Quantity | Material Number | Material Description | Length (mm) | Width (mm) |
| Sheet: | A2 | Extra info: | POTMAGNET NEODYMIUM | | | |
| Drawn: | PV | Weight (kg): | 0,028 | | | |
| Date: | 17-7-2019 | General tolerance: | | ISO 2768 - mK | | |
| Spare part: | False | Drawn according: | | ISO 268; ISO 1101; ISO 2553 | | |
| Quick search: | POTGM | Status: | | Standard | | |
| Description: | PM-TE-N-SG-D25x7xM6x10 | | | Customer reference number: | | |
| | | | | Document number: | E0119094 | Doc.Rev: |
| <small>© All rights reserved. Reproduction is not permitted without written permission of GOUDSMIT Magnetic Systems BV</small> | | | | Part number: | GM17626 | Rev: |
| | | | | | | - |