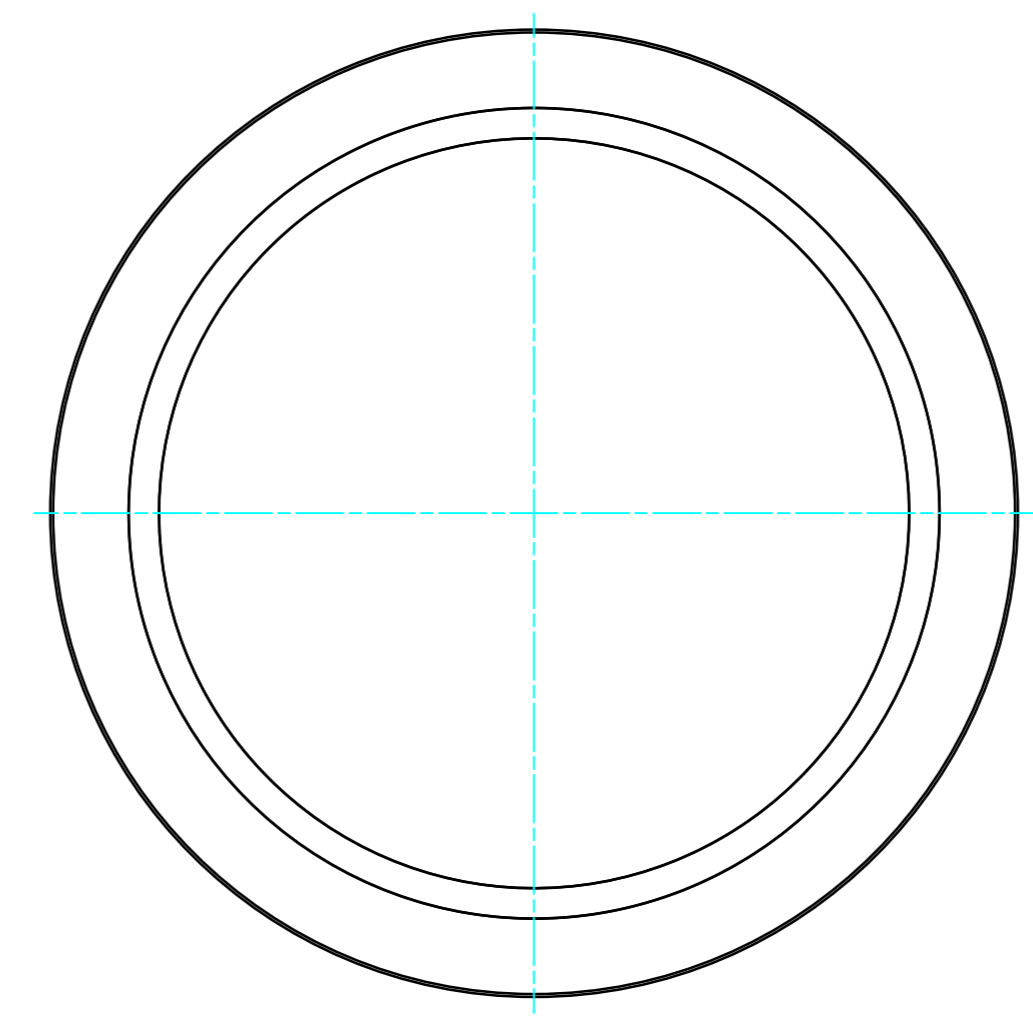
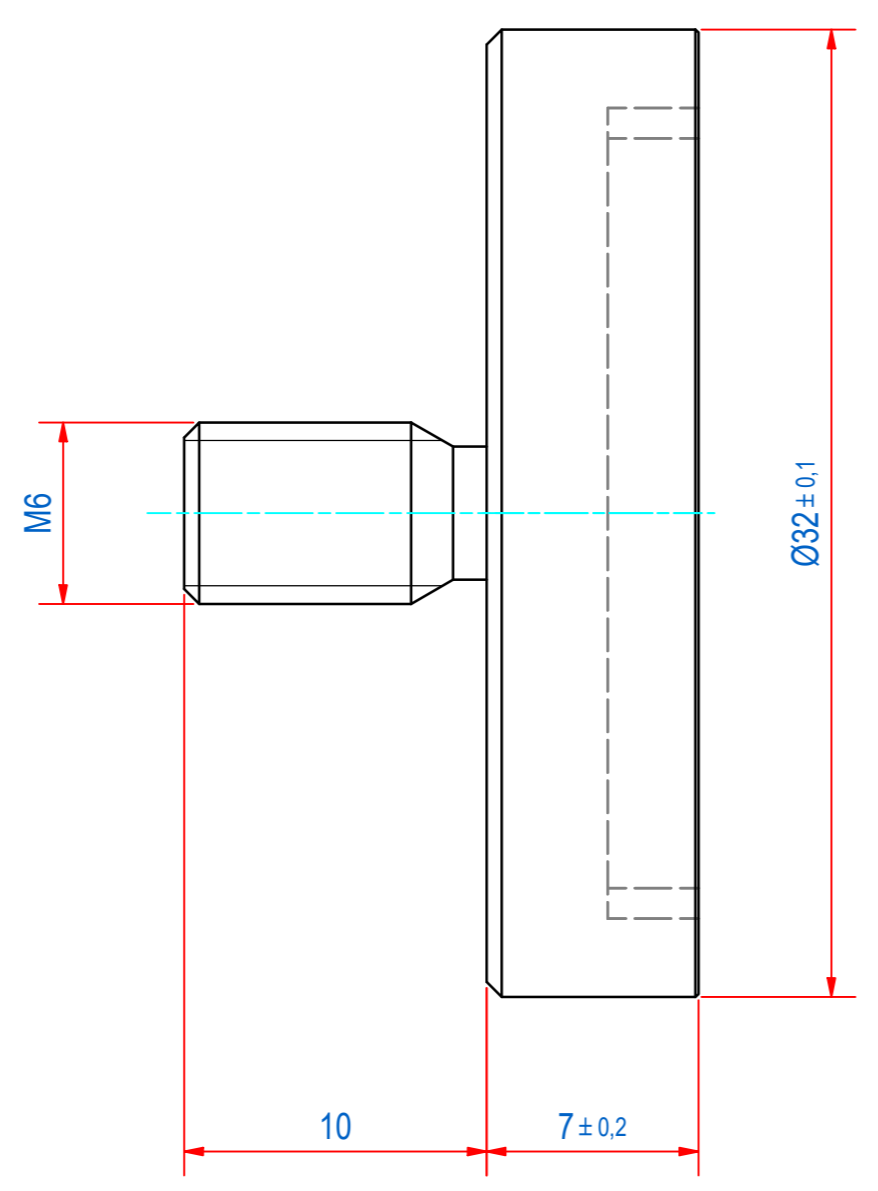
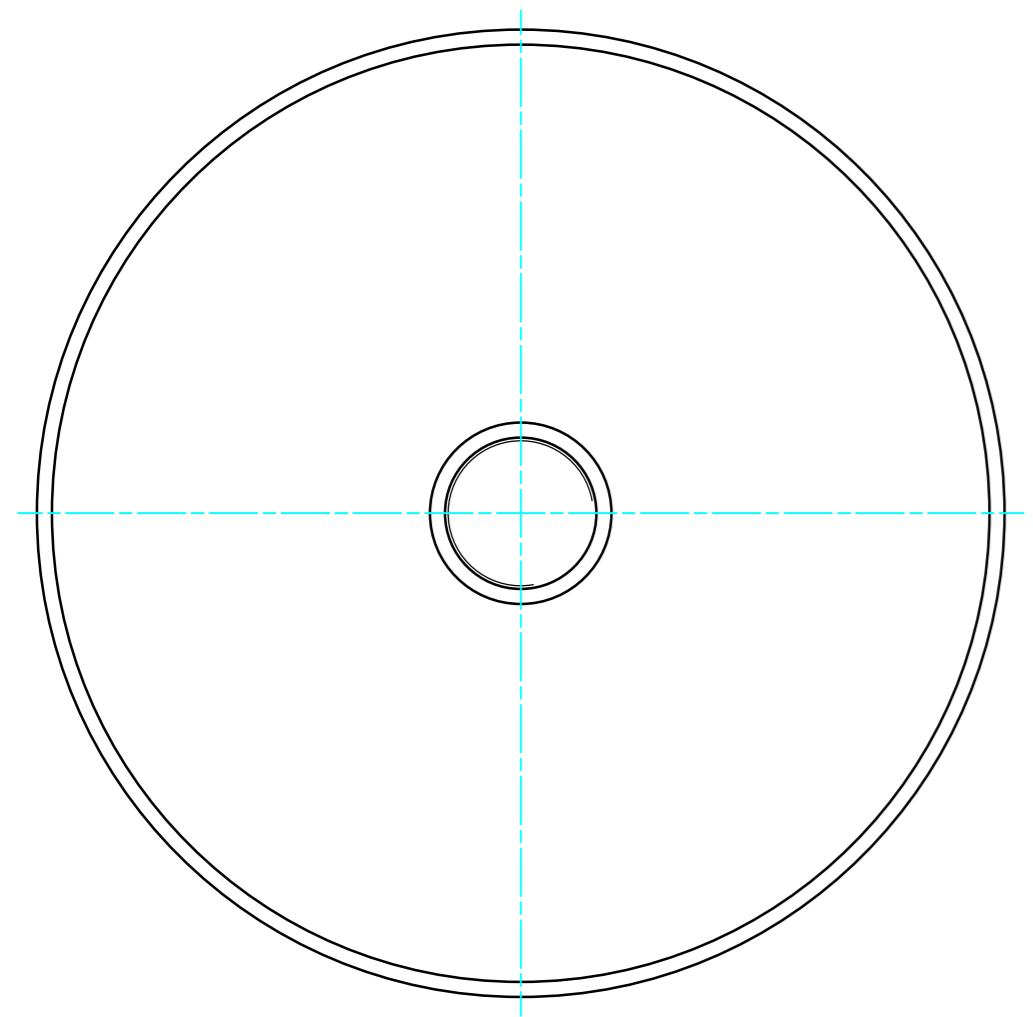
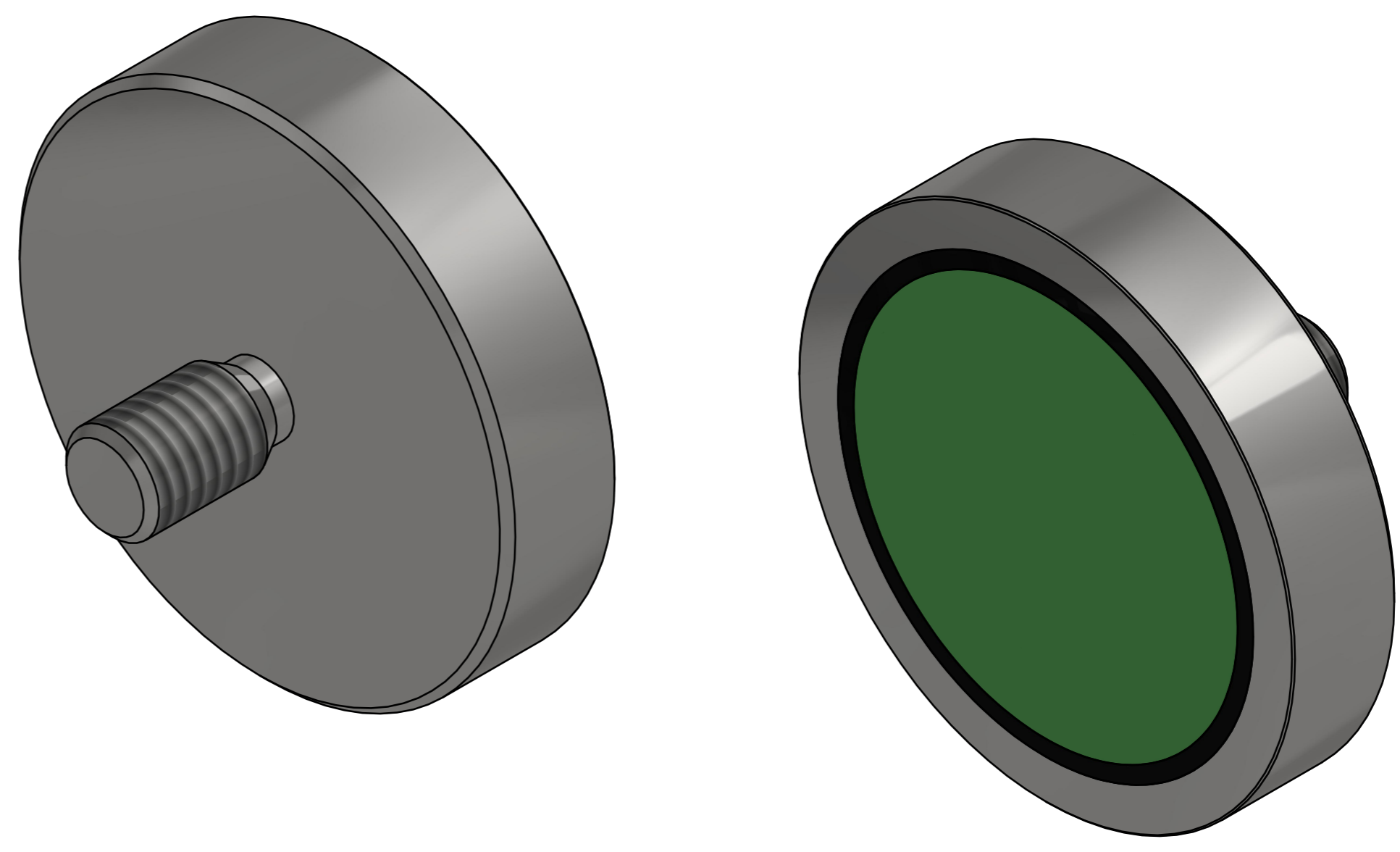


DOC.NR.	REV	DATE	BY	DESCRIPTION
E0119102	-	2-10-2019	PV	ORIGINAL DRAWING



SURFACE TREATMENT: ZINC PLATED

RAW MAT.	1	Quantity	Material Number	Material Description	Length (mm)	Width (mm)
Symbol	Sheet: A2	Extra info:	POTMAGNET NEODYMIUM		General tolerance: ISO 2768 - mK	
Drawn: PV	Weight (kg): 0,044	Date:	17-7-2019		Drawn according: ISO268; ISO1101; ISO2553	
Spare part: False	Source:	Quick search:	POTGM		Status: Standard	
Description:			PM-TE-N-SG-D32x7xM6x10		Document number:	Doc.Rev:
					E0119102	-
					Part number:	Rev:
					GM17627	-



© All rights reserved. Reproduction is not permitted without written permission of GOUDSMIT Magnetic Systems BV