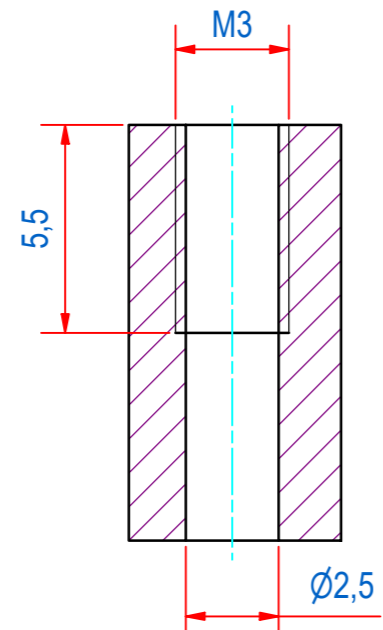
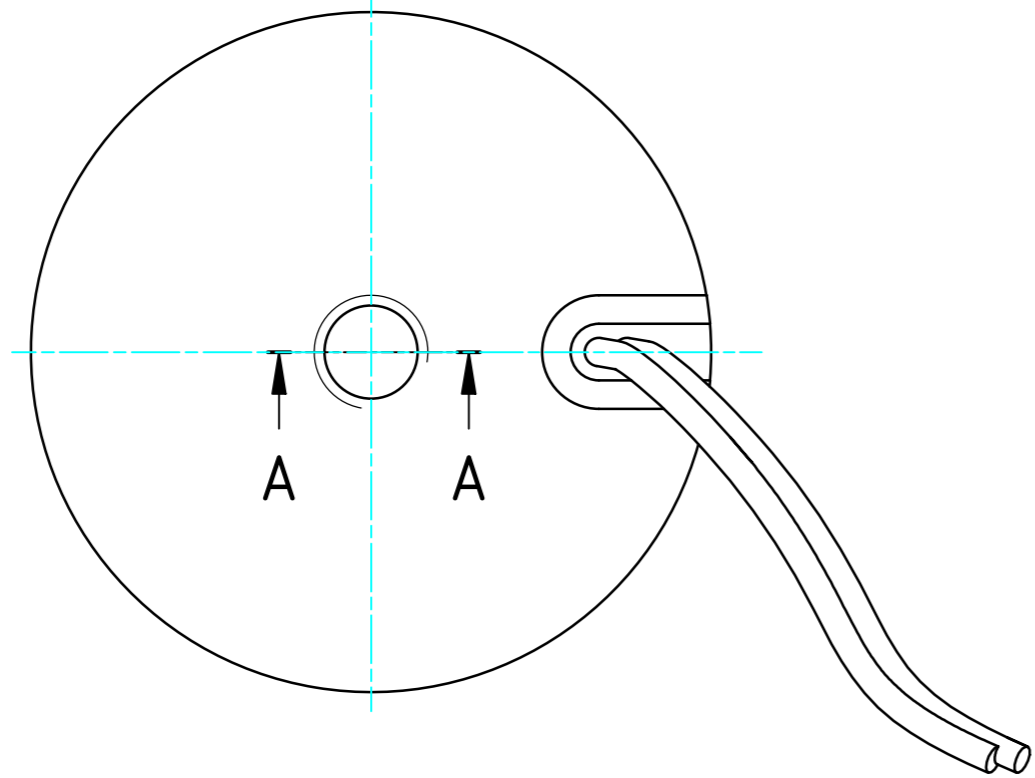


DOC.NR.	REV	DATE	BY	DESCRIPTION
	-	21-11-2018	GS	REFERENCE DRAWING EHRO001801
GM17801	A	13-9-2022	RW	HOLE CHANGED FROM BLIND TO THROUGH



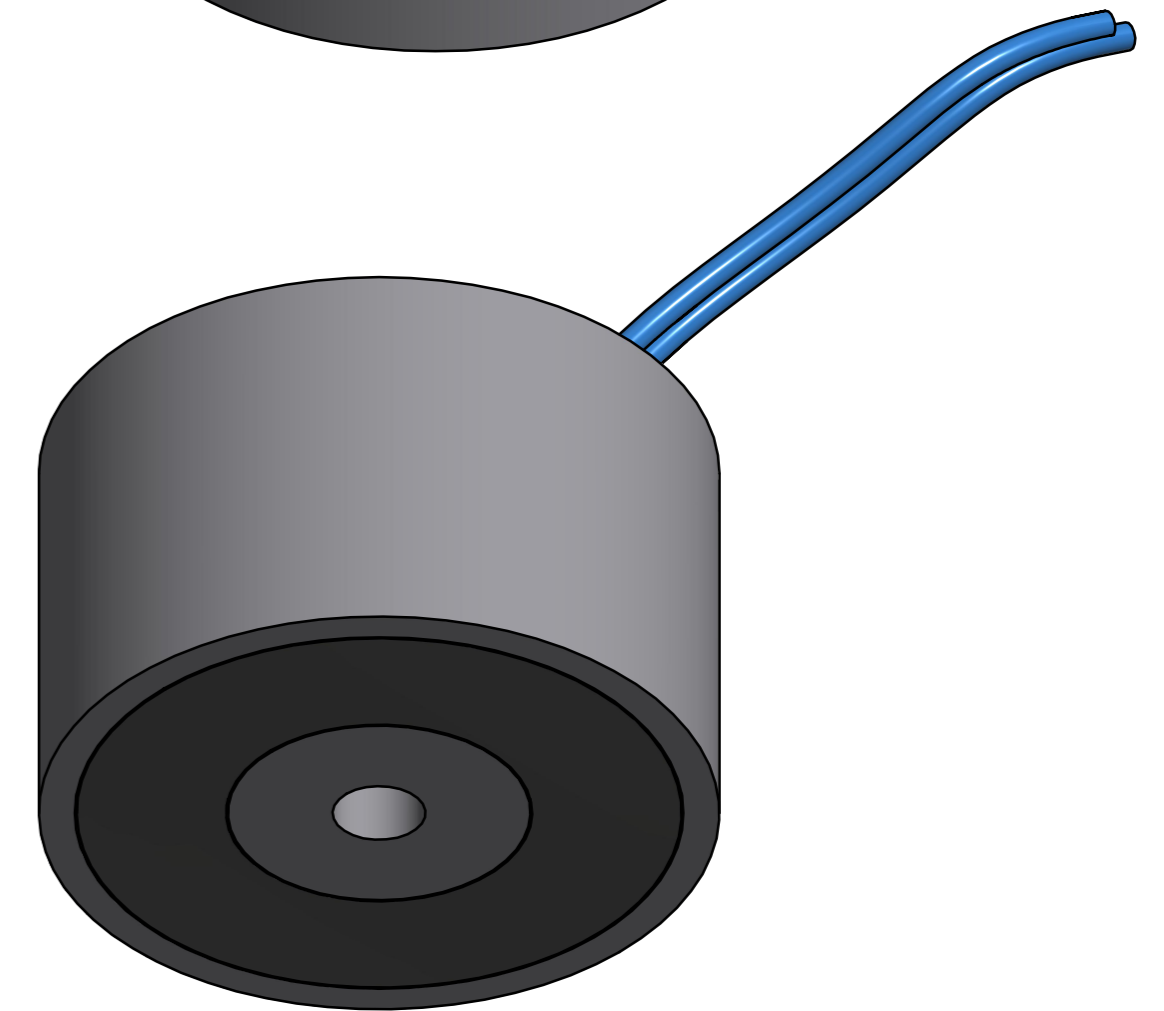
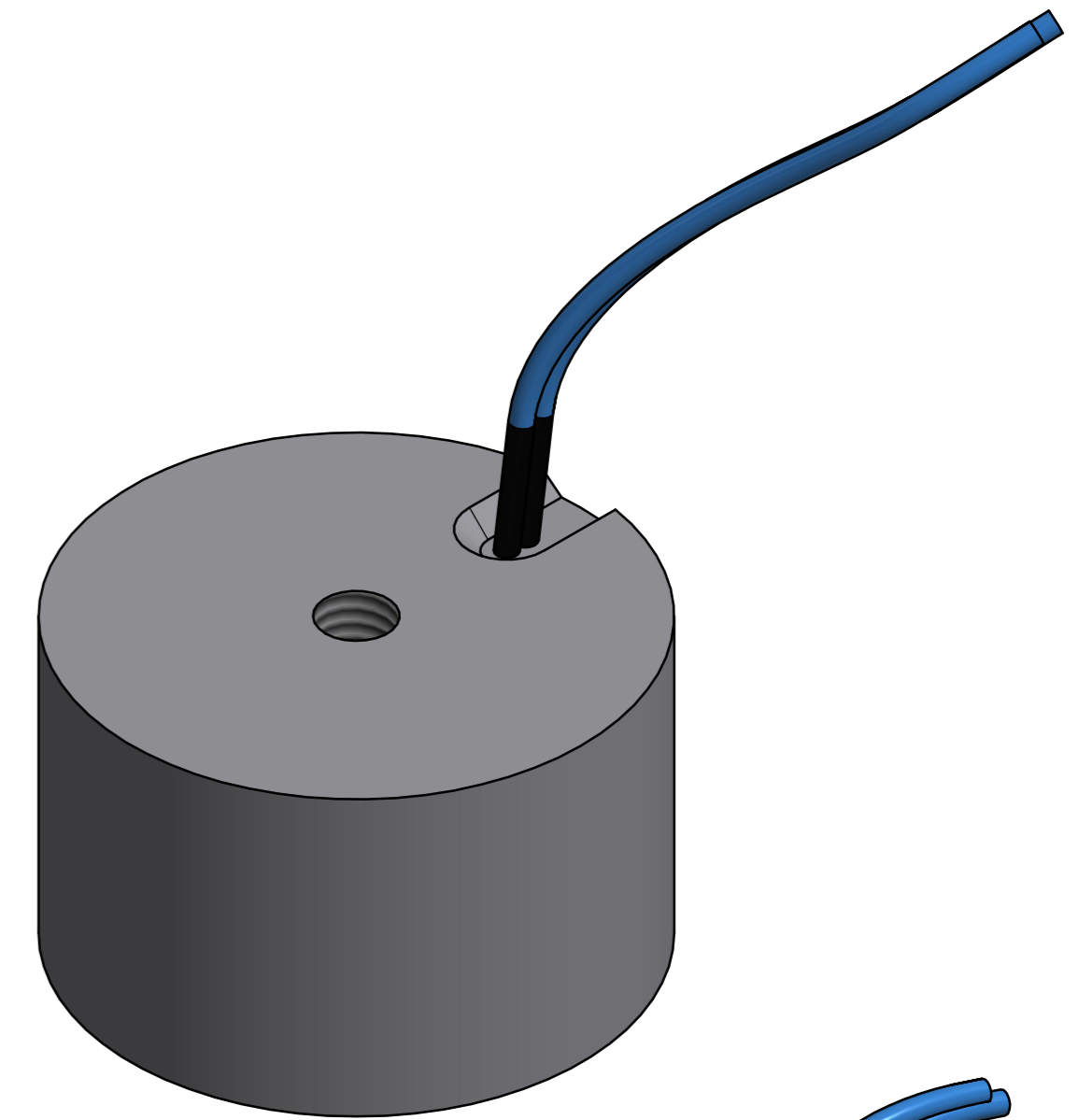
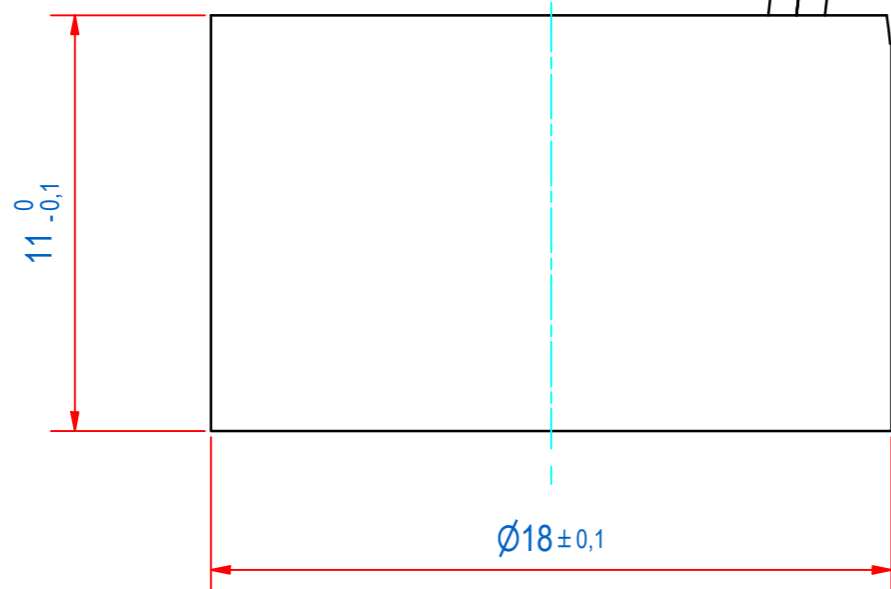
A-A



A

A

Wire 2x; L=0,2m



RAW MAT.	Quantity	Material Number	Material Description	Length (mm)	Width (mm)
1					
Sheet: A2		Extra info: 24VDC - 1,4W		General tolerance: ISO 2768 - mK	
Drawn: GS		Weight (kg): 0,021		Drawn according: ISO286; ISO1101; ISO2553	
Date: 21-11-2018				Status: Standard	
Spare part: False				Customer reference number:	
Source: MC-C		Quick search: EHRO0018		Document number: GM17801 Doc.Rev: A	
Description: HEPM-EM-D018-011-SW		Part number: GM17801		Rev: A	