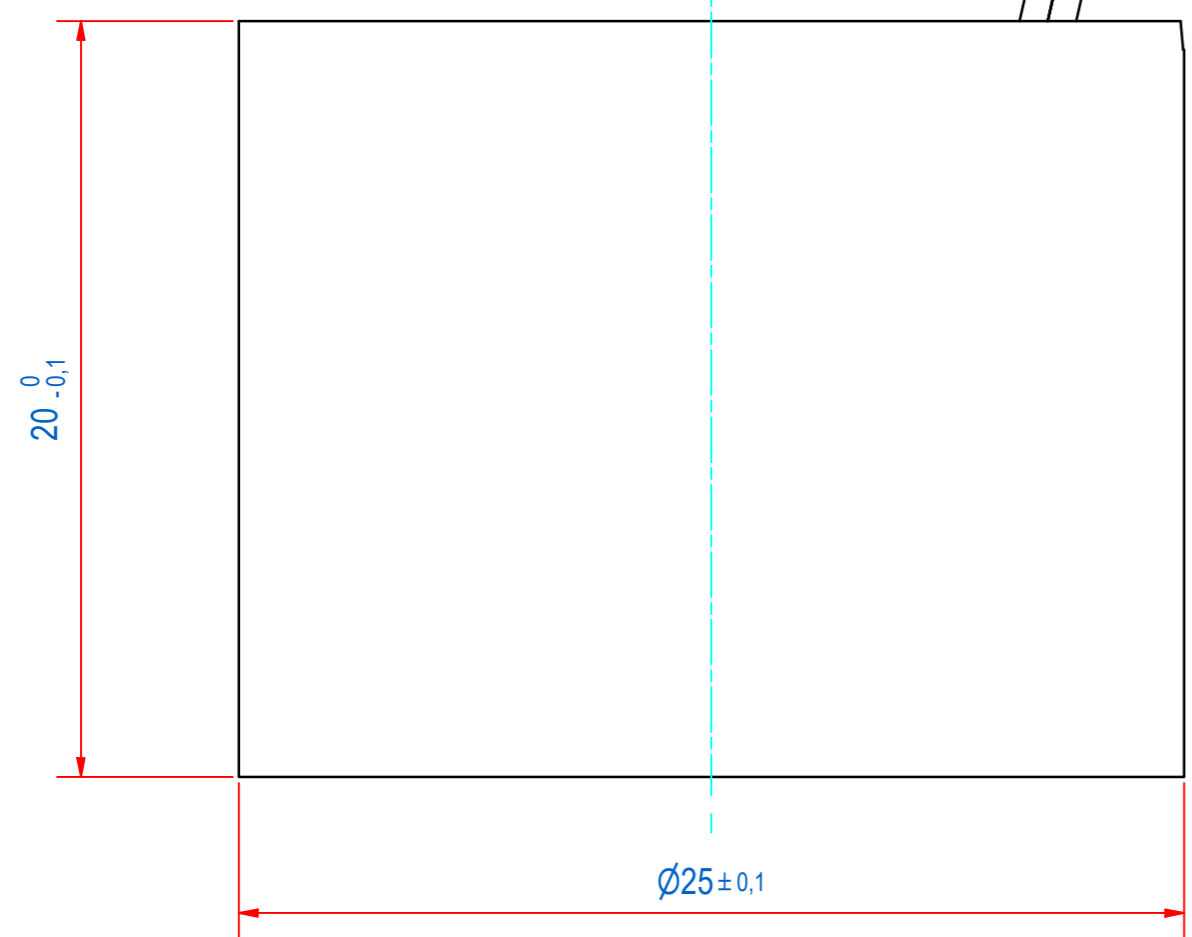
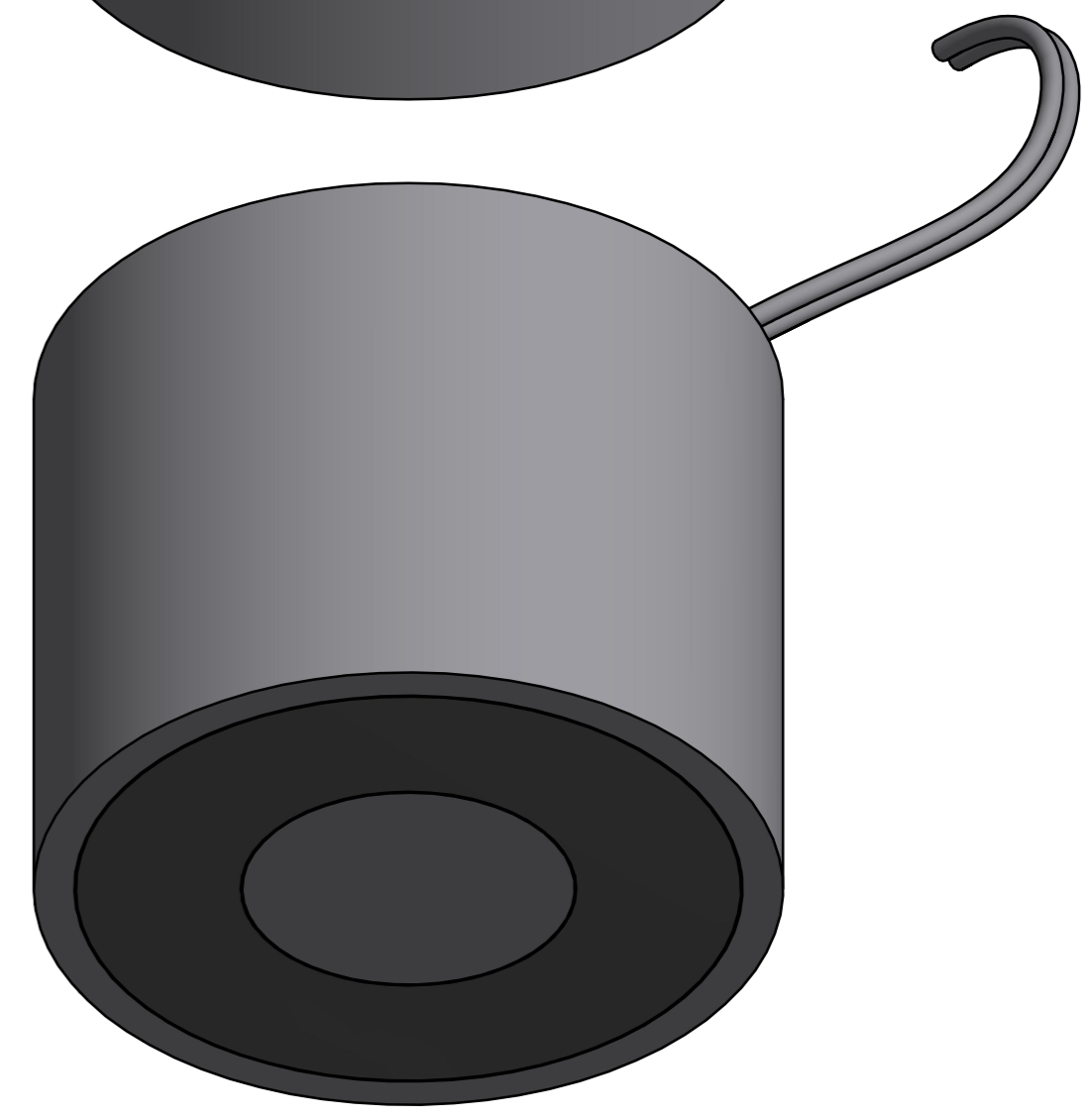
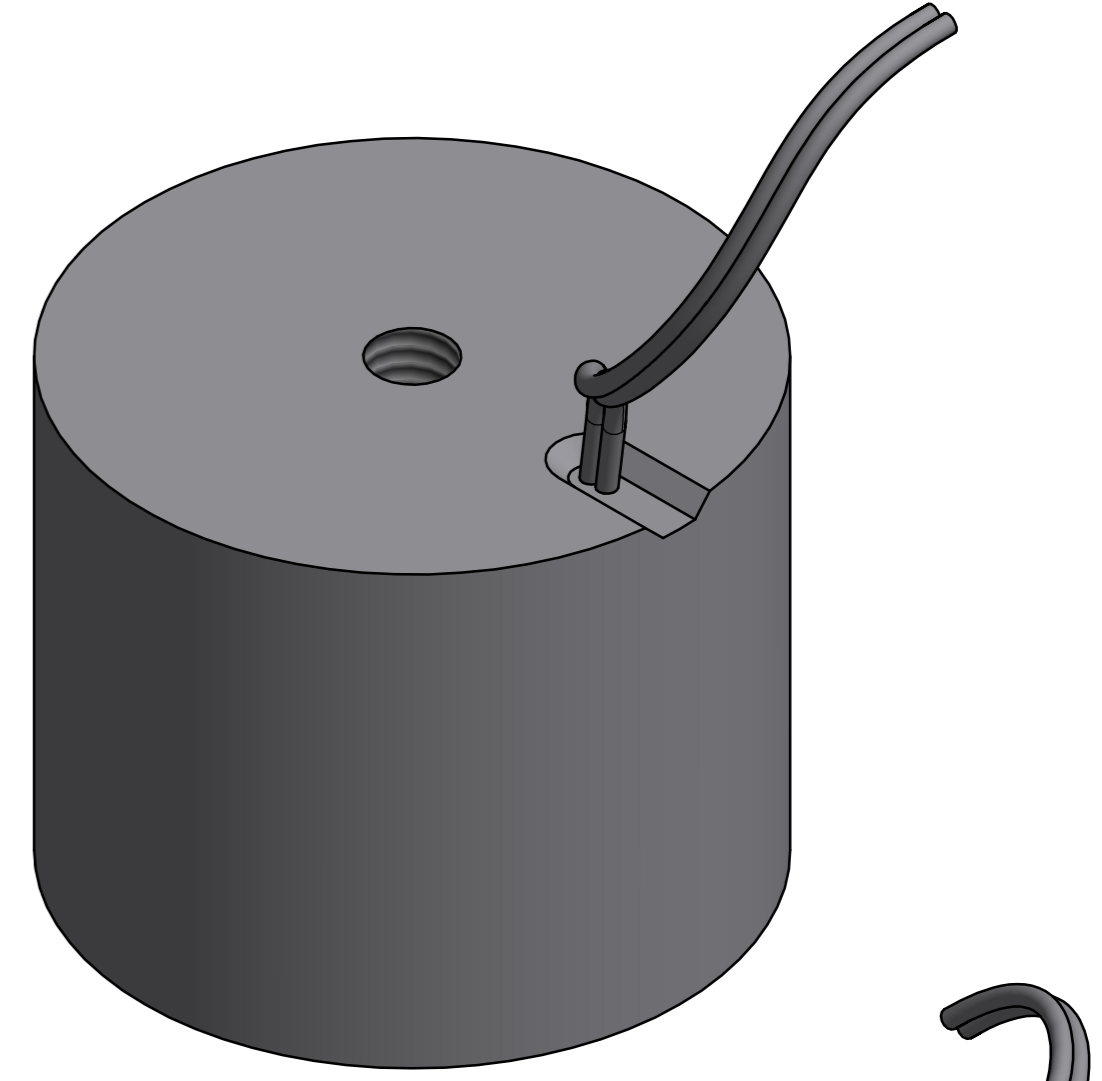
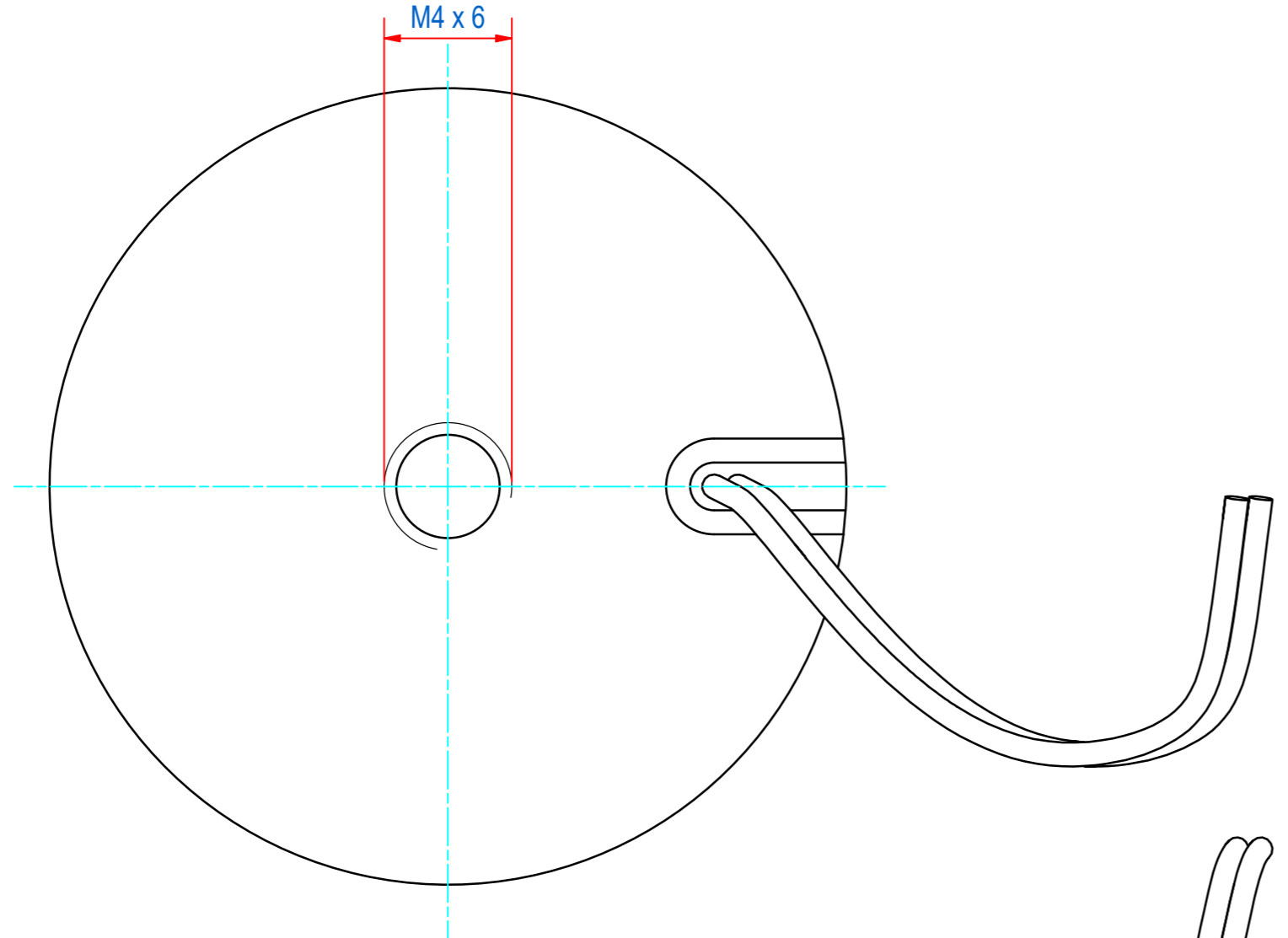


3	2	1		
DOC.NR.	REV	DATE	BY	DESCRIPTION
GM17802	-	4-10-2018	GS	NEW VAULT, NOTHING CHANGED, IS EQUAL TO EHRO002501



RAW MAT.	Quantity	Material Number	Material Description	Length (mm)	Width (mm)
1					
	Sheet: A2	Extra info: 24V - 3,2W	General tolerance: ISO 2768 - mK		
Drawn: GS	Weight (kg): 0,076	Drawn according: ISO286; ISO1101; ISO2553			
Date: 4-10-2018	Status: Standard			Customer reference number:	
Spare part: False	Source: MC-C				Document number: GM17802
Quick search: EHRO0025	<small>© All rights reserved. Reproduction is not permitted without written permission of GOUDSMIT Magnetic Systems BV</small>				Doc.Rev: -
Description: HPEM-EM-D025-020-SW			Part number: GM17802	Rev: -	