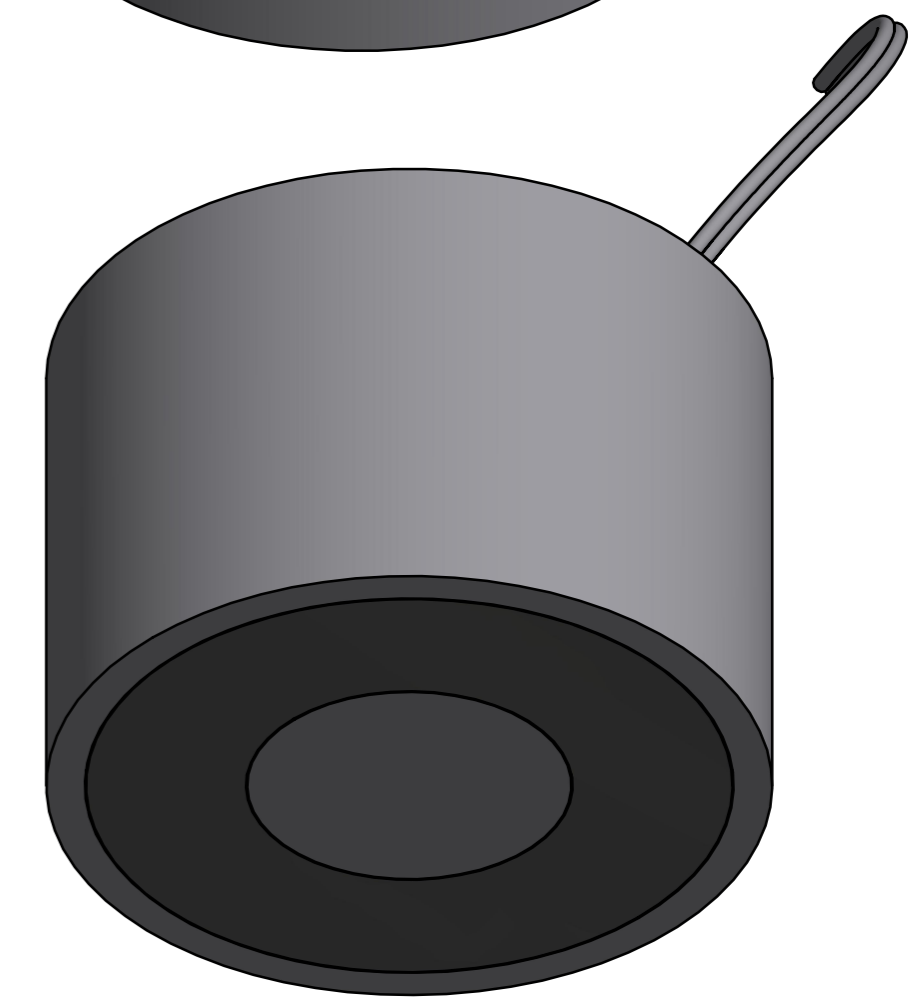
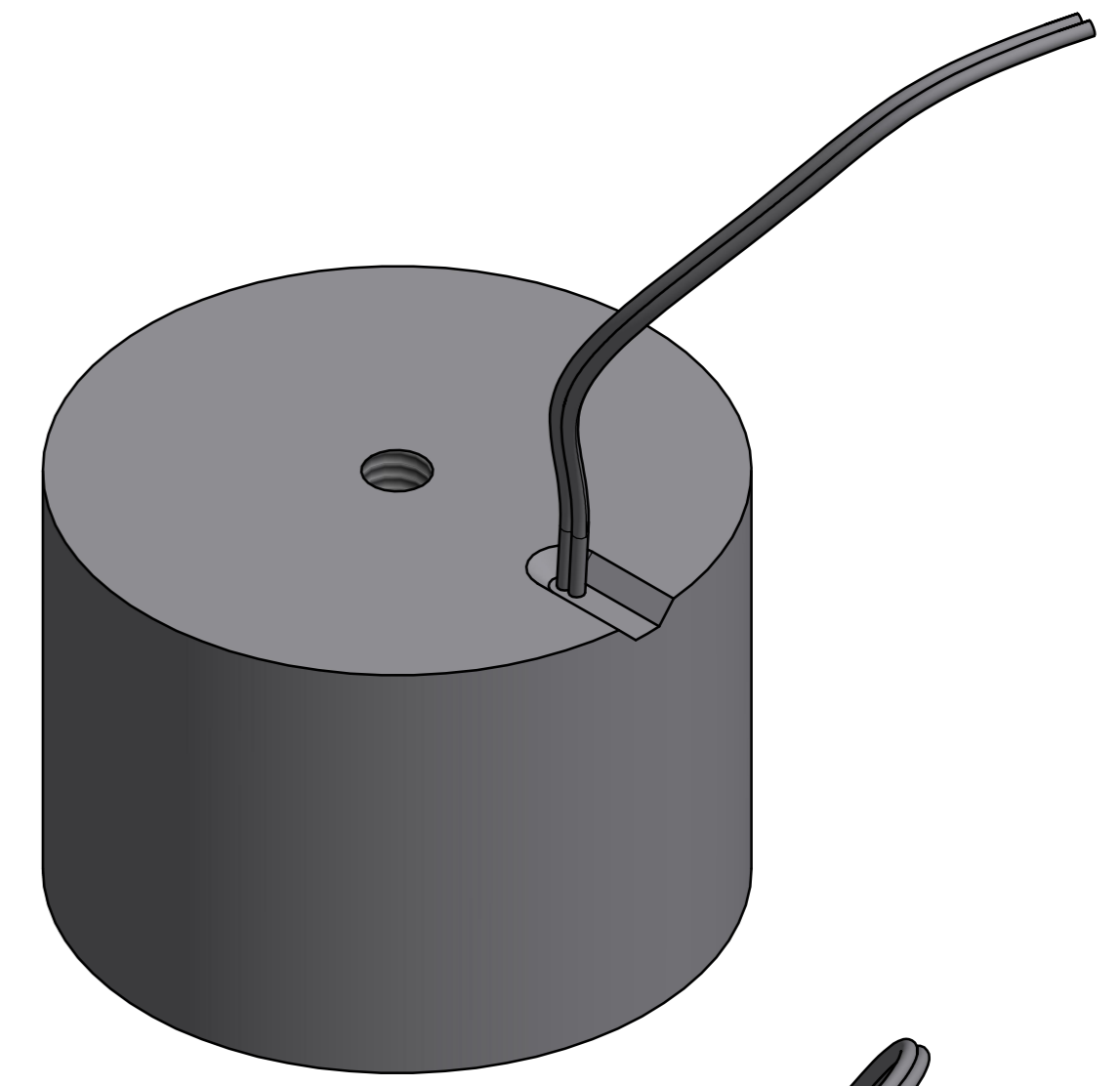
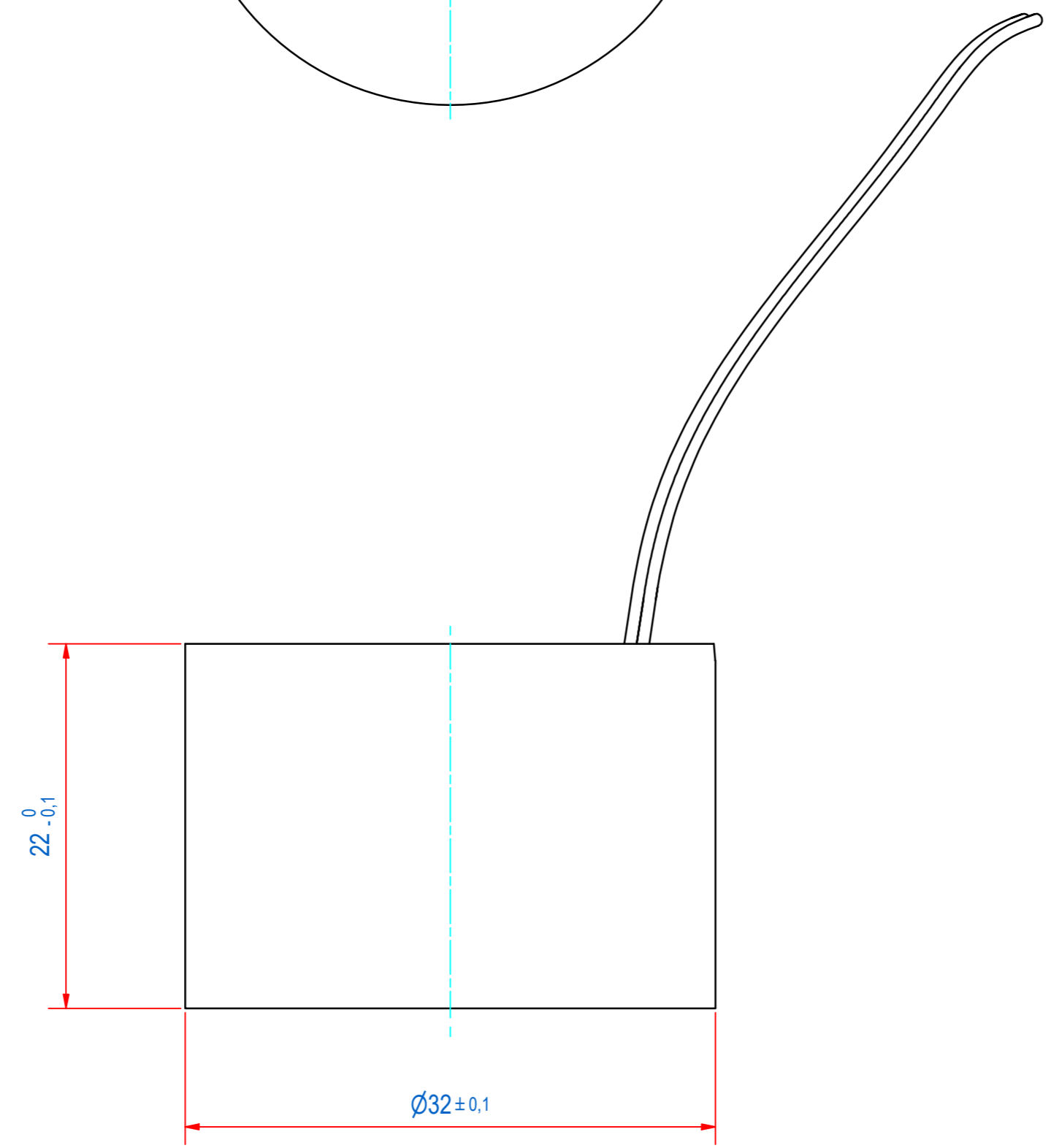
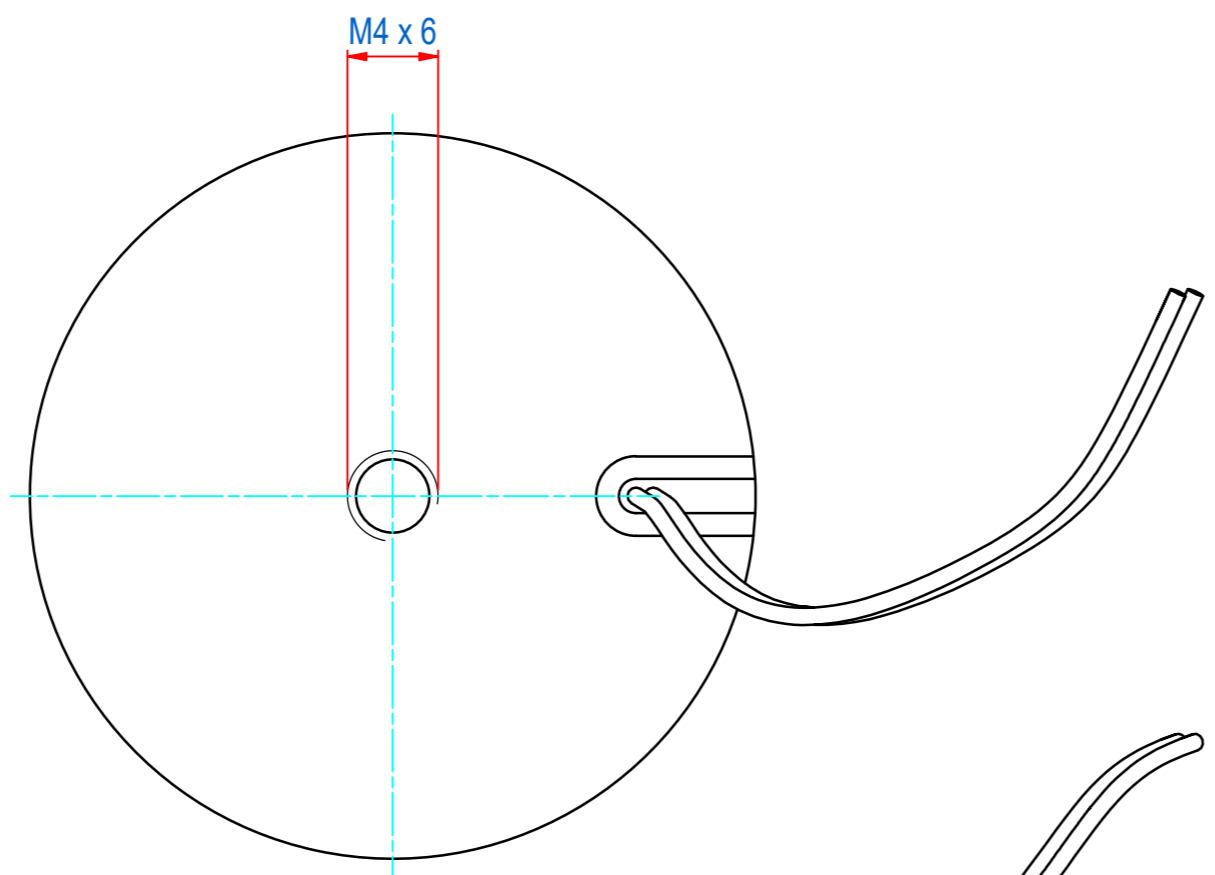


3	2		1	
DOC.NR.	REV	DATE	BY	DESCRIPTION
GM17803	-	4-10-2018	GS	NEW VAULT, NOTHING CHANGED, IS EQUAL TO EHRO003201



RAW MAT.	1					Length (mm)	Width (mm)
Quantity		Material Number	Material Description				
Sheet:	A2	Extra info:	24V - 3,4W		General tolerance: ISO 2768 - mK		
Drawn:	GS	Weight (kg):	0,14		Drawn according: ISO286; ISO1101; ISO2553		
Date:	4-10-2018	Source:		MC-C		Status: Standard	
Spare part:	False	Quick search:		EHRO0032		Customer reference number:	
Description:		HEPM-EM-D032-022-SW		Document number: GM17803		Doc.Rev: -	
		Part number: GM17803		Rev: -			



© All rights reserved. Reproduction is not permitted without written permission of GOUDSMIT Magnetic Systems BV