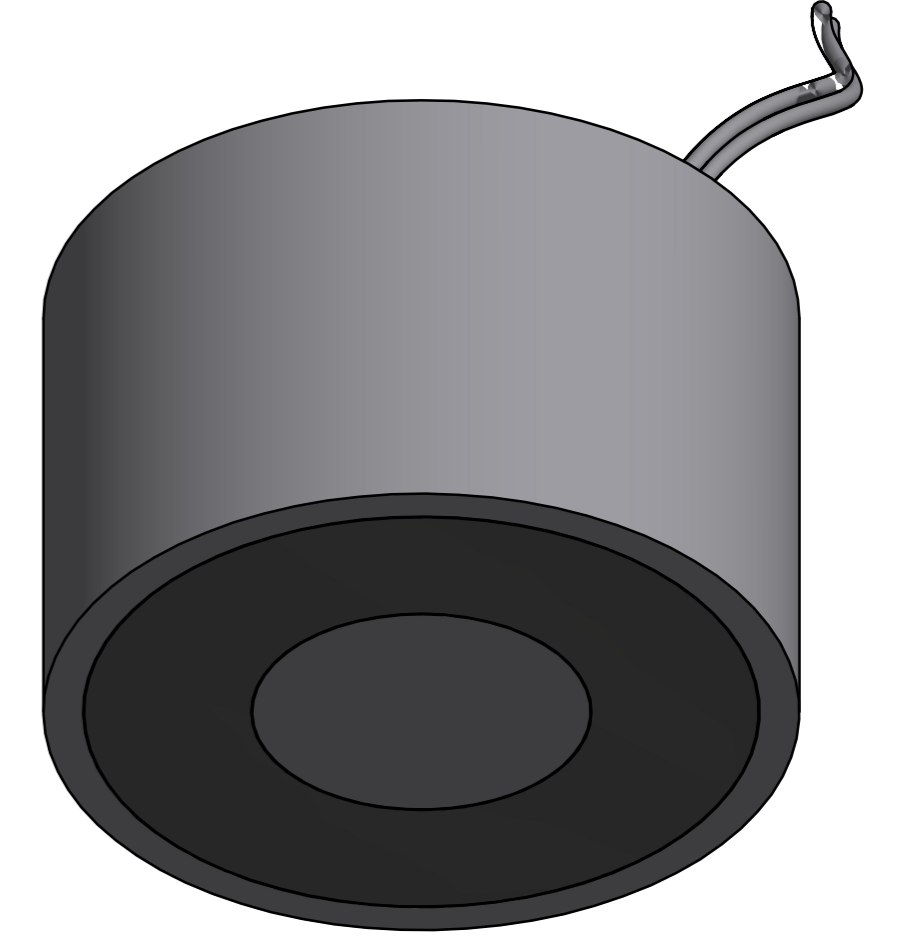
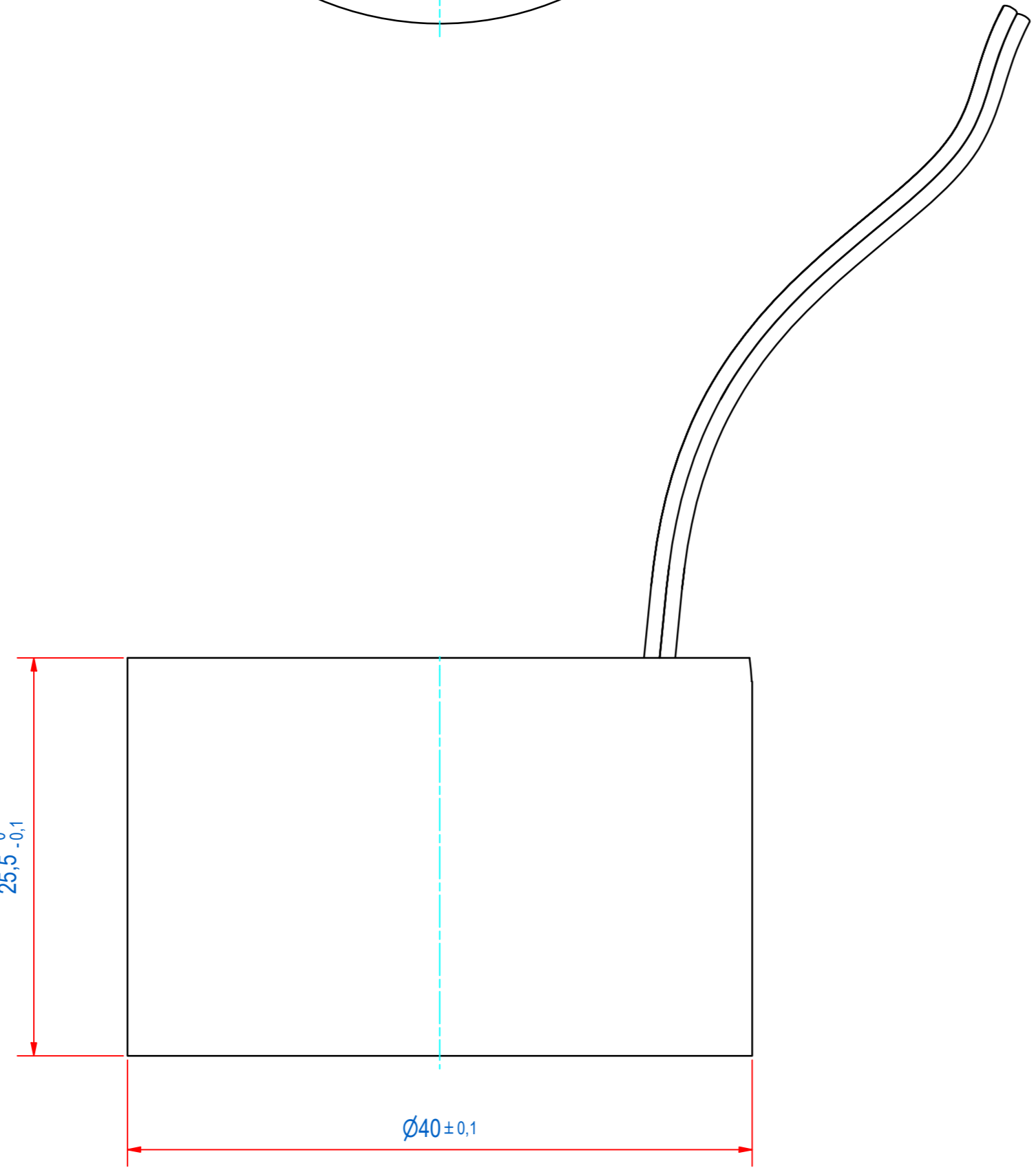
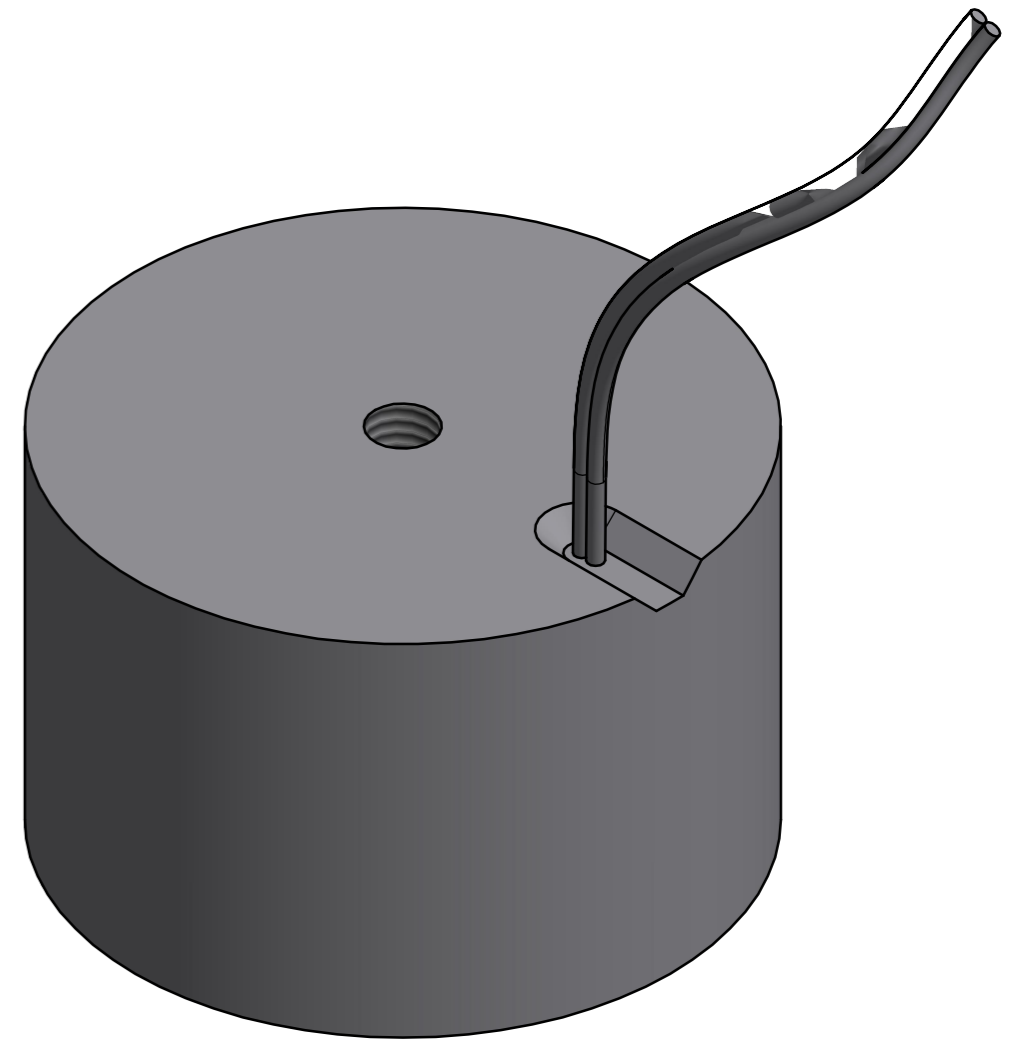
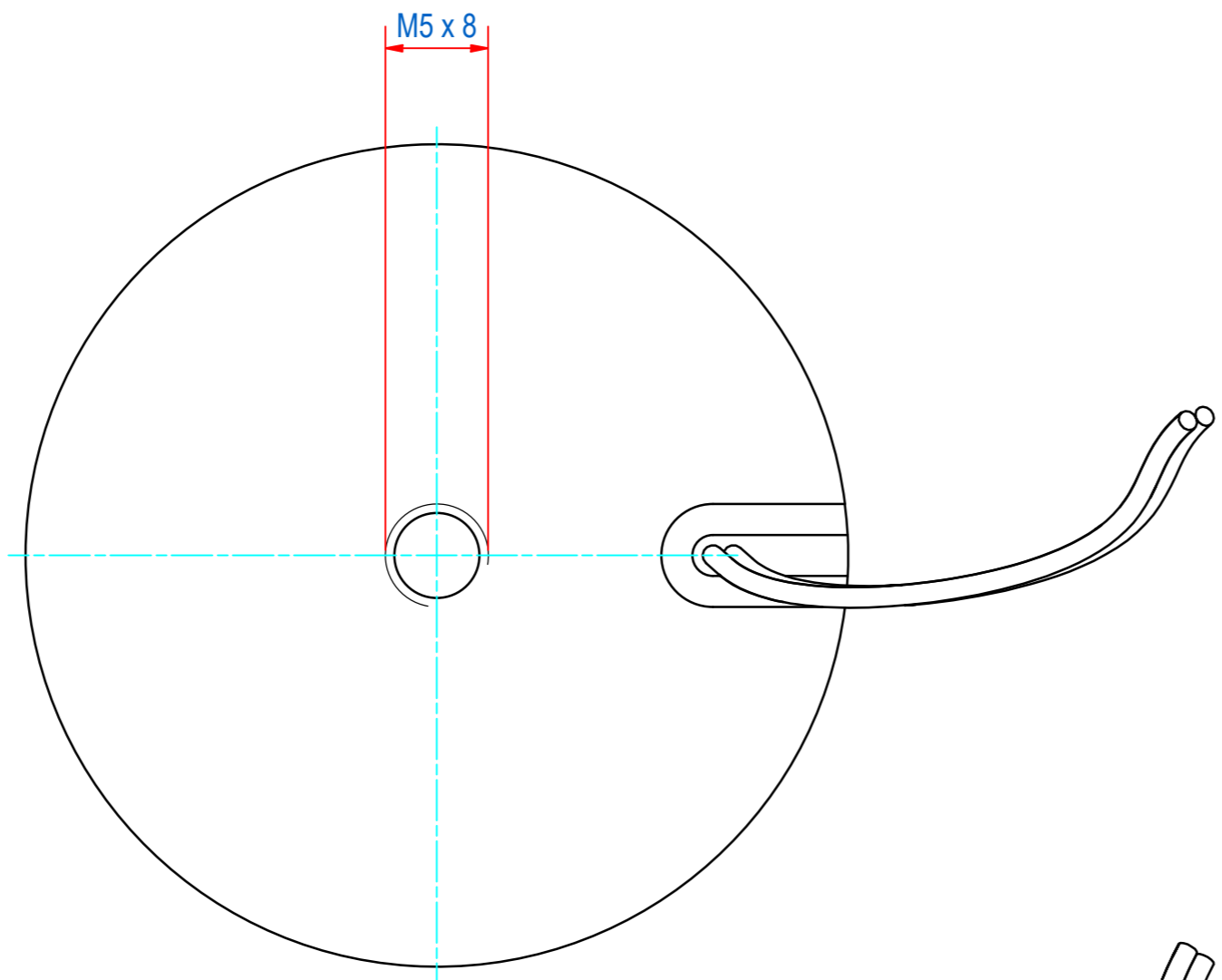


DOC.NR.	REV	DATE	BY	DESCRIPTION
GM17804	-	4-10-2018	GS	NEW VAULT, NOTHING CHANGED, IS EQUAL TO EHRO004001



RAW MAT.	Quantity	Material Number	Material Description	Length (mm)	Width (mm)
1					
Sheet: A2		Extra info: 24V - 5,3W		General tolerance: ISO 2768 - mK	
Drawn: GS		Weight (kg): 0,25		Drawn according: ISO286; ISO1101; ISO2553	
Date: 4-10-2018				Status: Standard	
Spare part: False				Customer reference number:	
Source: MC-C		Quick search: EHRO0040		Document number: GM17804	
Description: HEPM-EM-D040-025.5-SW		Part number: GM17804		Doc.Rev: -	