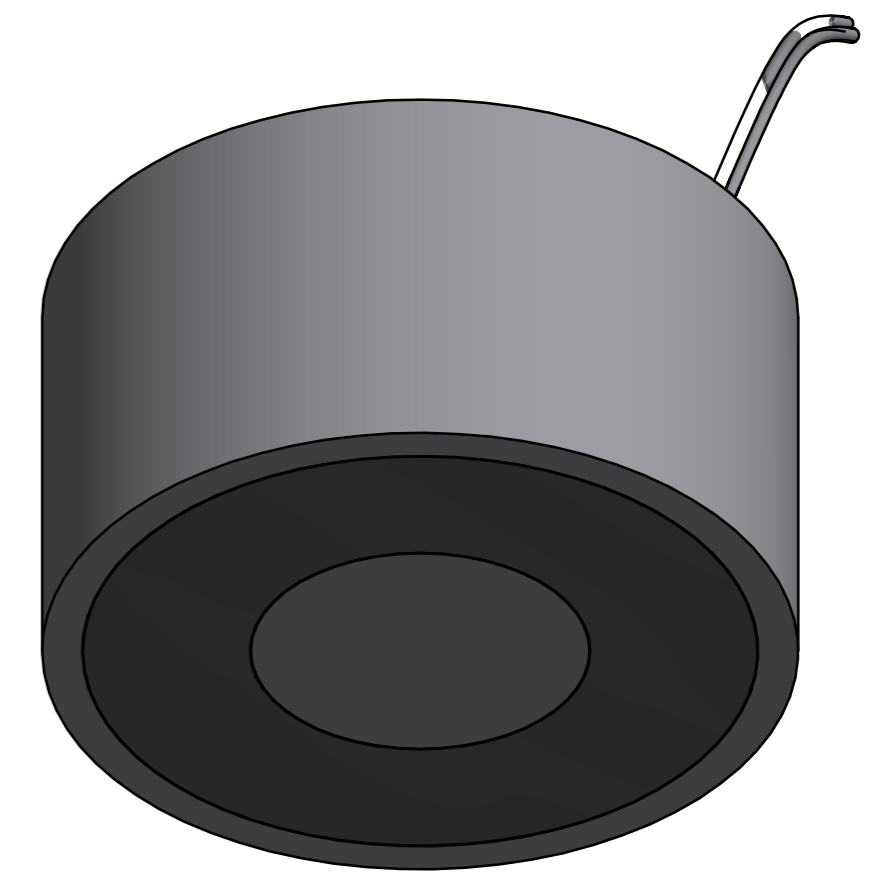
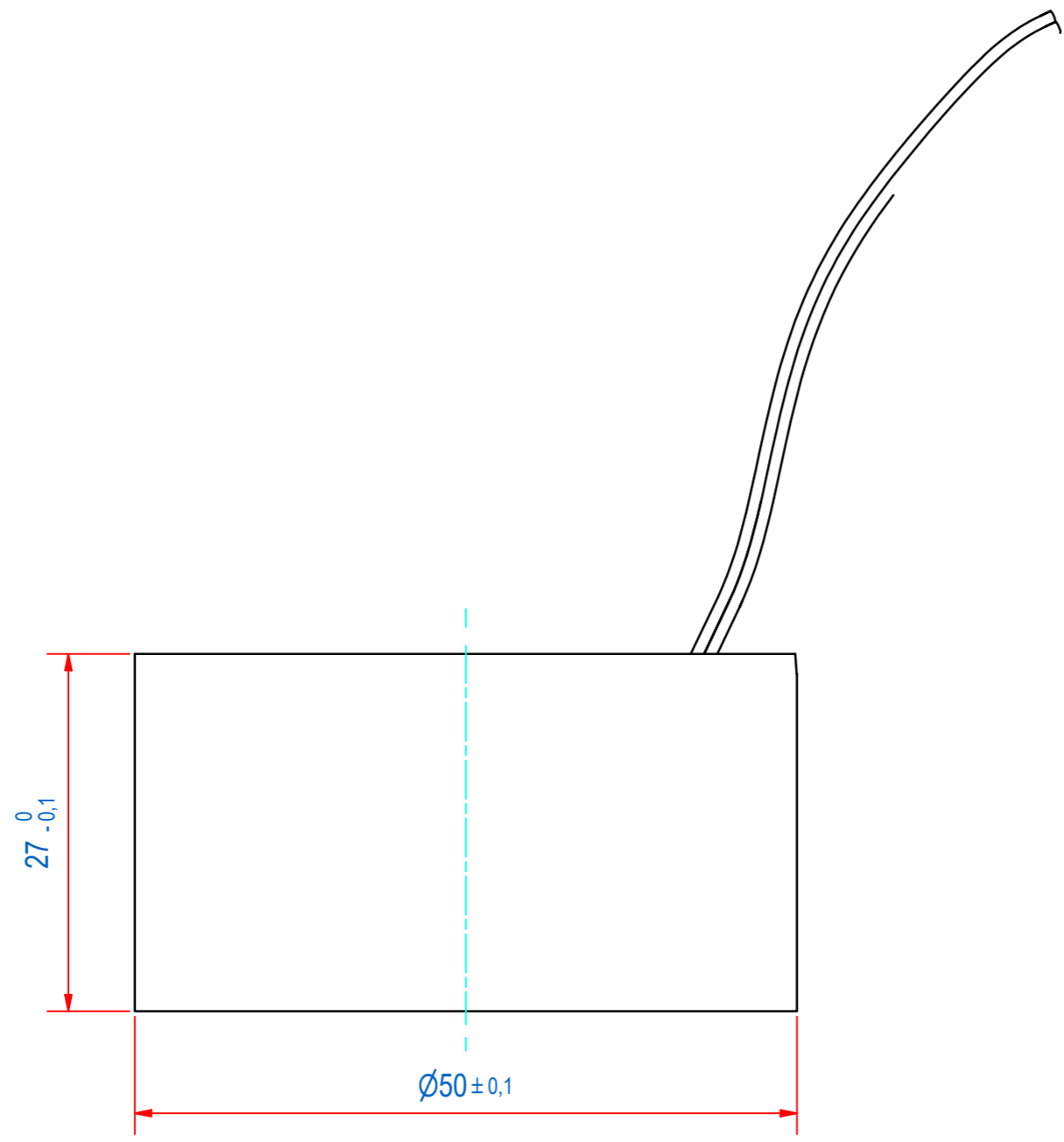
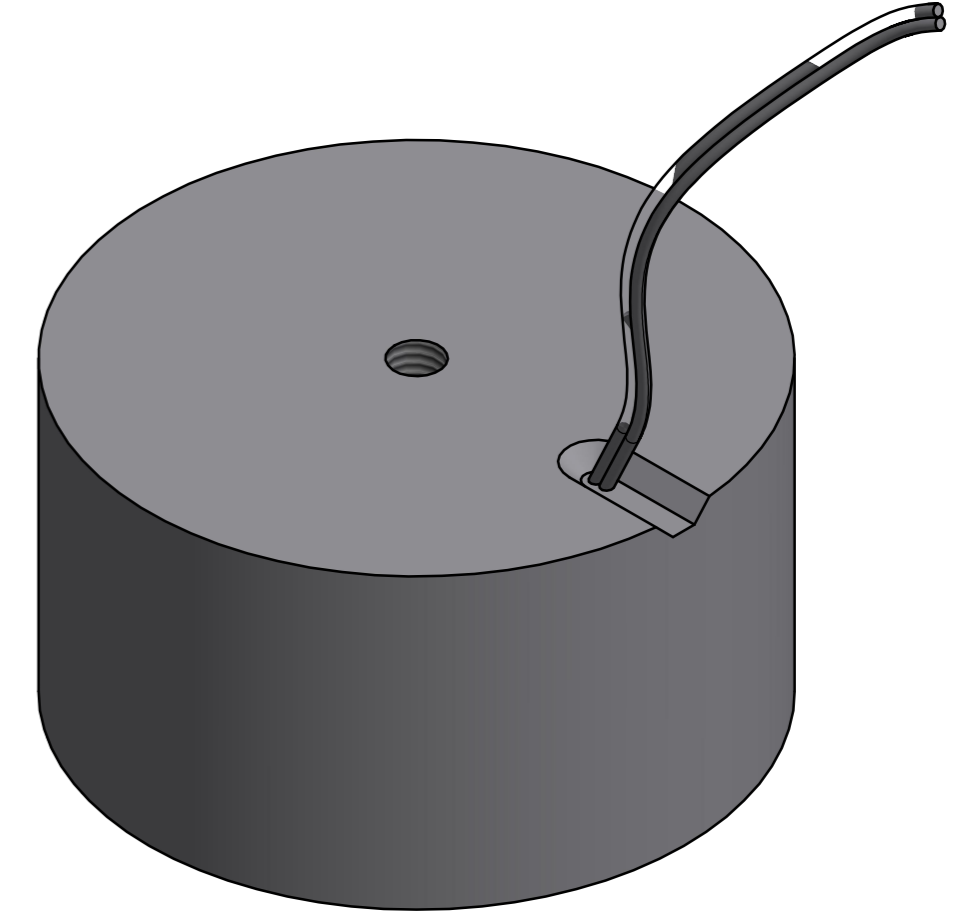
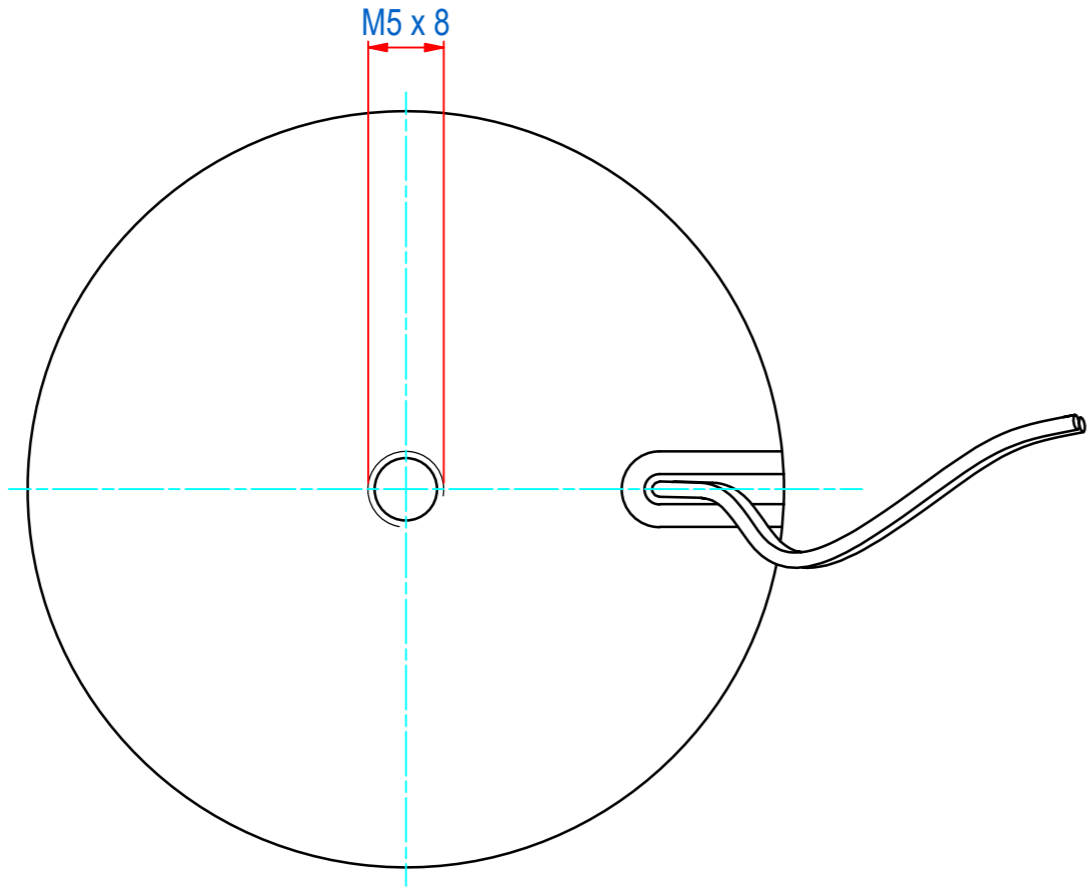


3	2		1	
DOC.NR.	REV	DATE	BY	DESCRIPTION
GM17805	-	4-10-2018	GS	NEW VAULT, NOTHING CHANGED, IS EQUAL TO EHRO005001



RAW MAT.	Quantity	Material Number	Material Description	Length (mm)	Width (mm)
1					
Sheet: A2		Extra info: 24V - 7W		General tolerance: ISO 2768 - mK	
Drawn: GS		Weight (kg): 0,41		Drawn according: ISO286; ISO1101; ISO2553	
Date: 4-10-2018				Status: Standard	
Spare part: False				Customer reference number:	
Source: MC-C		Quick search: EHRO050		Document number: GM17805 Doc.Rev: -	
Description: HPEM-EM-D050-027-SW		Part number: GM17805		Rev: -	