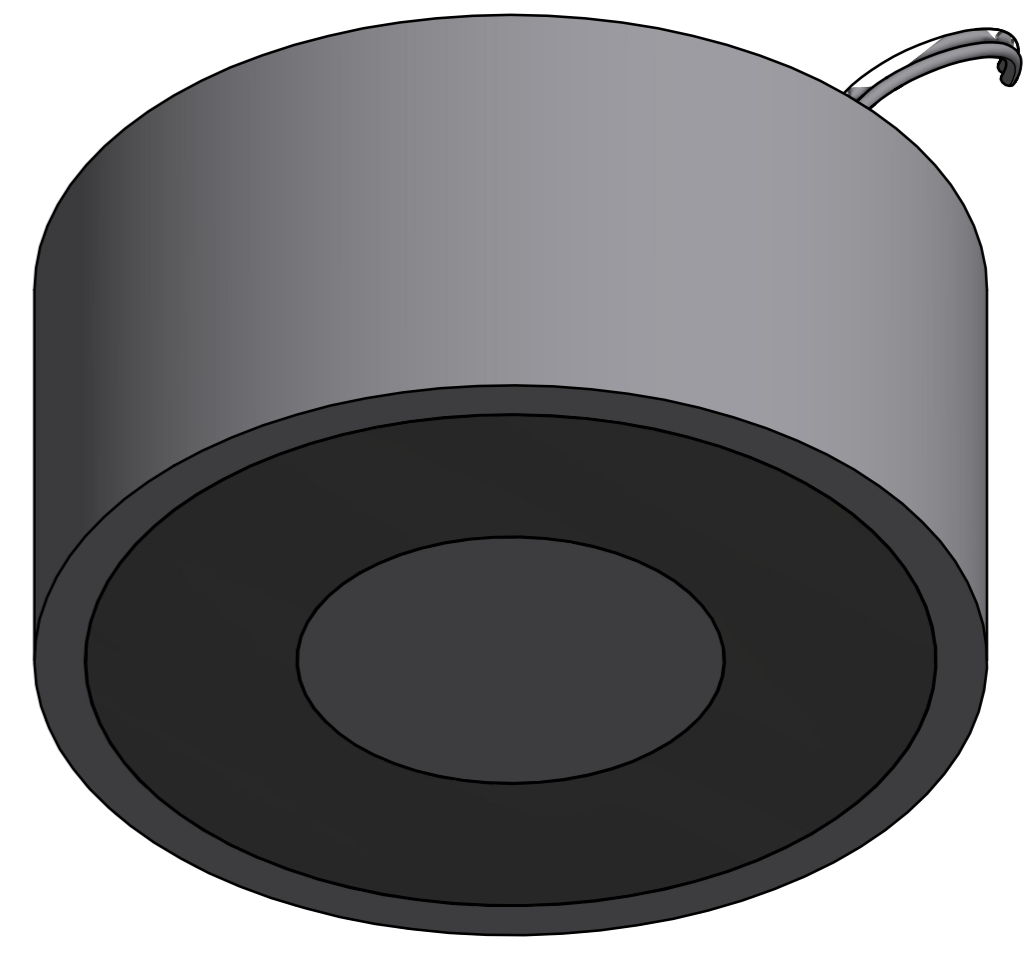
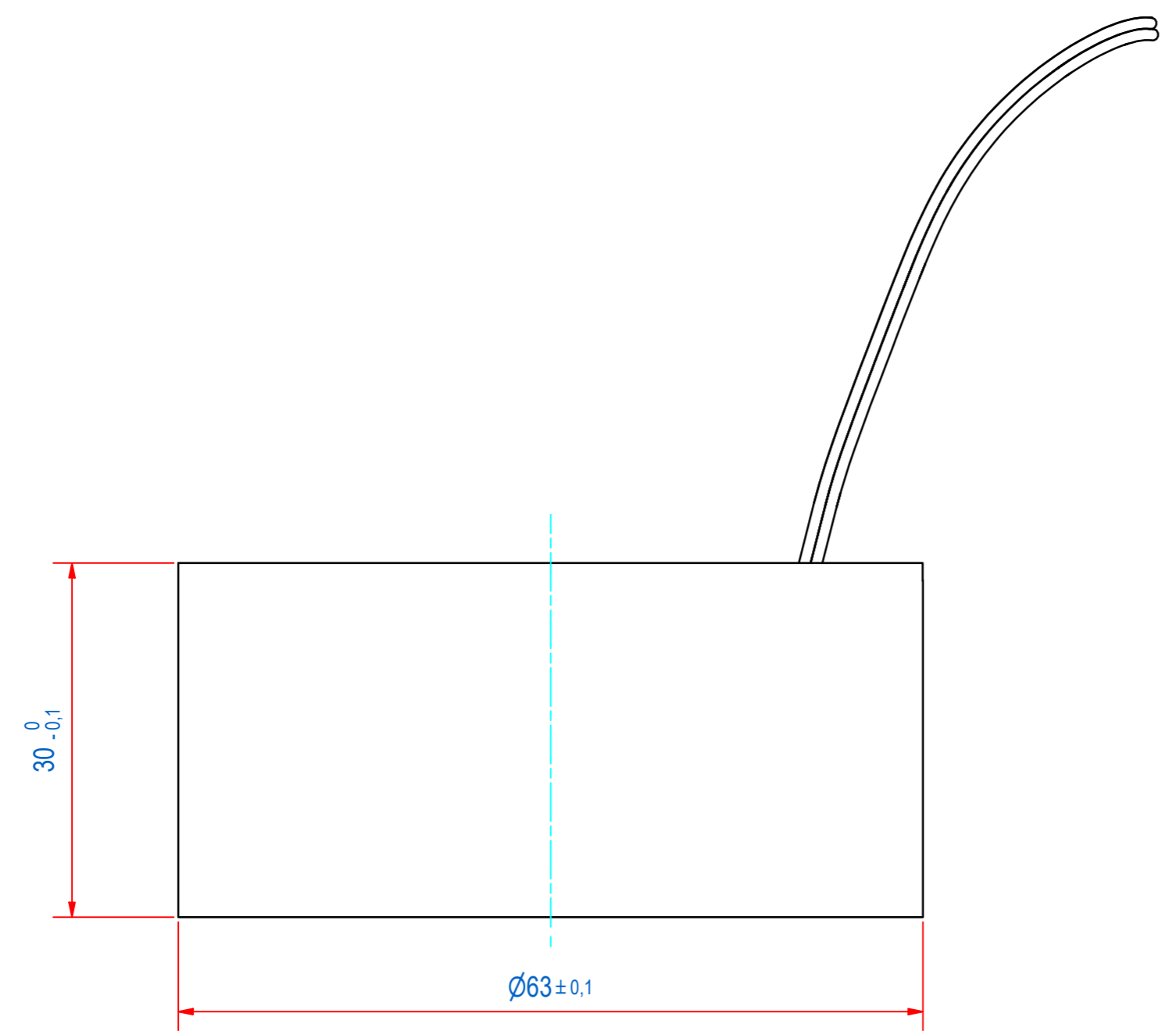
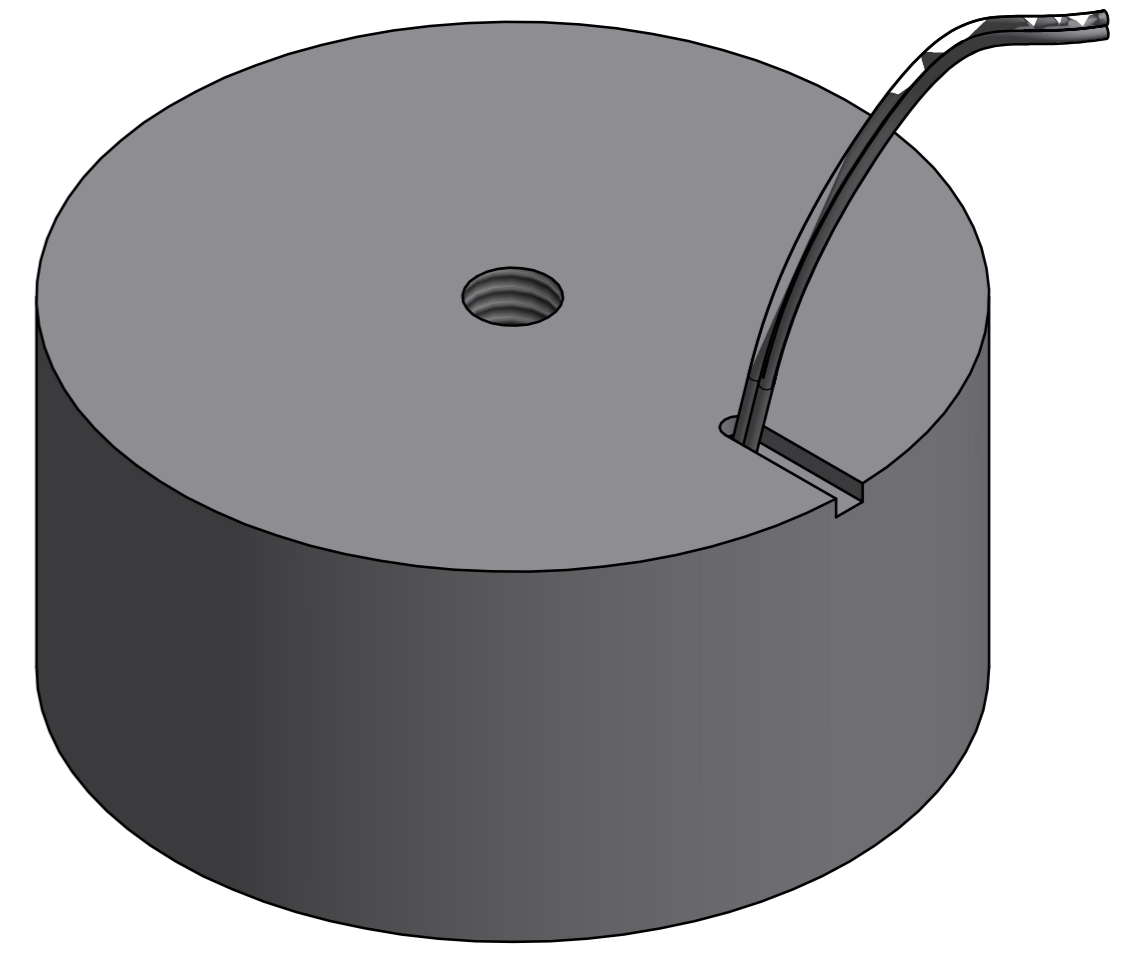
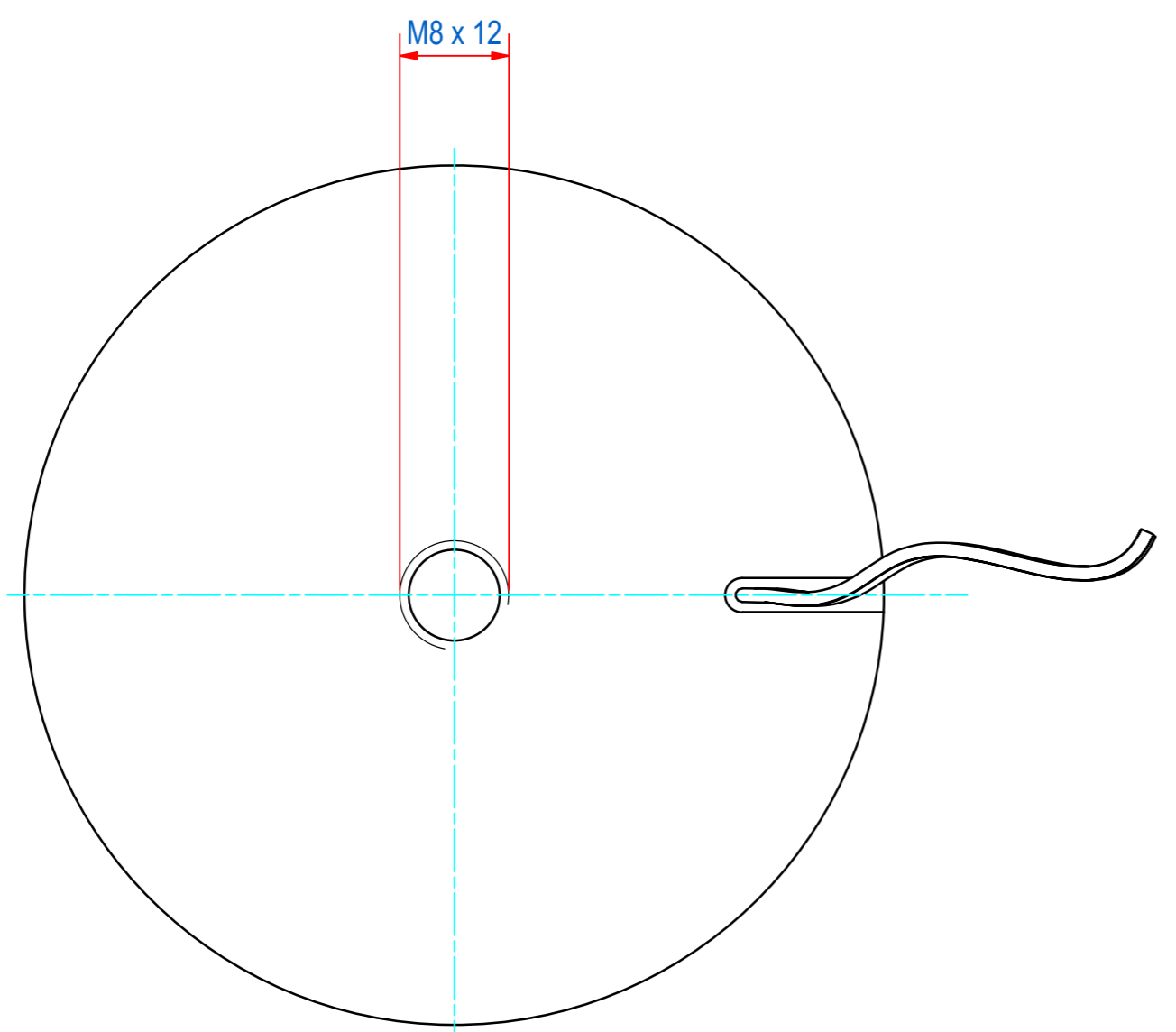


DOC.NR.	REV	DATE	BY	DESCRIPTION
GM17806	-	4-10-2018	GS	NEW VAULT, NOTHING CHANGED, IS EQUAL TO EHRO006501



RAW MAT.	Quantity	Material Number	Material Description	Length (mm)	Width (mm)
1					
Sheet: <b>A2</b>		Extra info: <b>24V - 10W</b>		General tolerance: <b>ISO 2768 - mK</b>	
Drawn: <b>GS</b>		Weight (kg): <b>0,73</b>		Drawn according: <b>ISO286; ISO1101; ISO2553</b>	
Date: <b>4-10-2018</b>				Status: <b>Standard</b>	
Spare part: <b>False</b>				Customer reference number:	
Source: <b>MC-C</b>		<small>© All rights reserved. Reproduction is not permitted without written permission of GOUDSMIT Magnetic Systems BV</small>		Document number: <b>GM17806</b> Doc.Rev: <b>-</b>	
Quick search: <b>EHRO0065</b>				Part number: <b>GM17806</b> Rev: <b>-</b>	
Description: <b>HEPM-EM-D065-030-SW</b>					