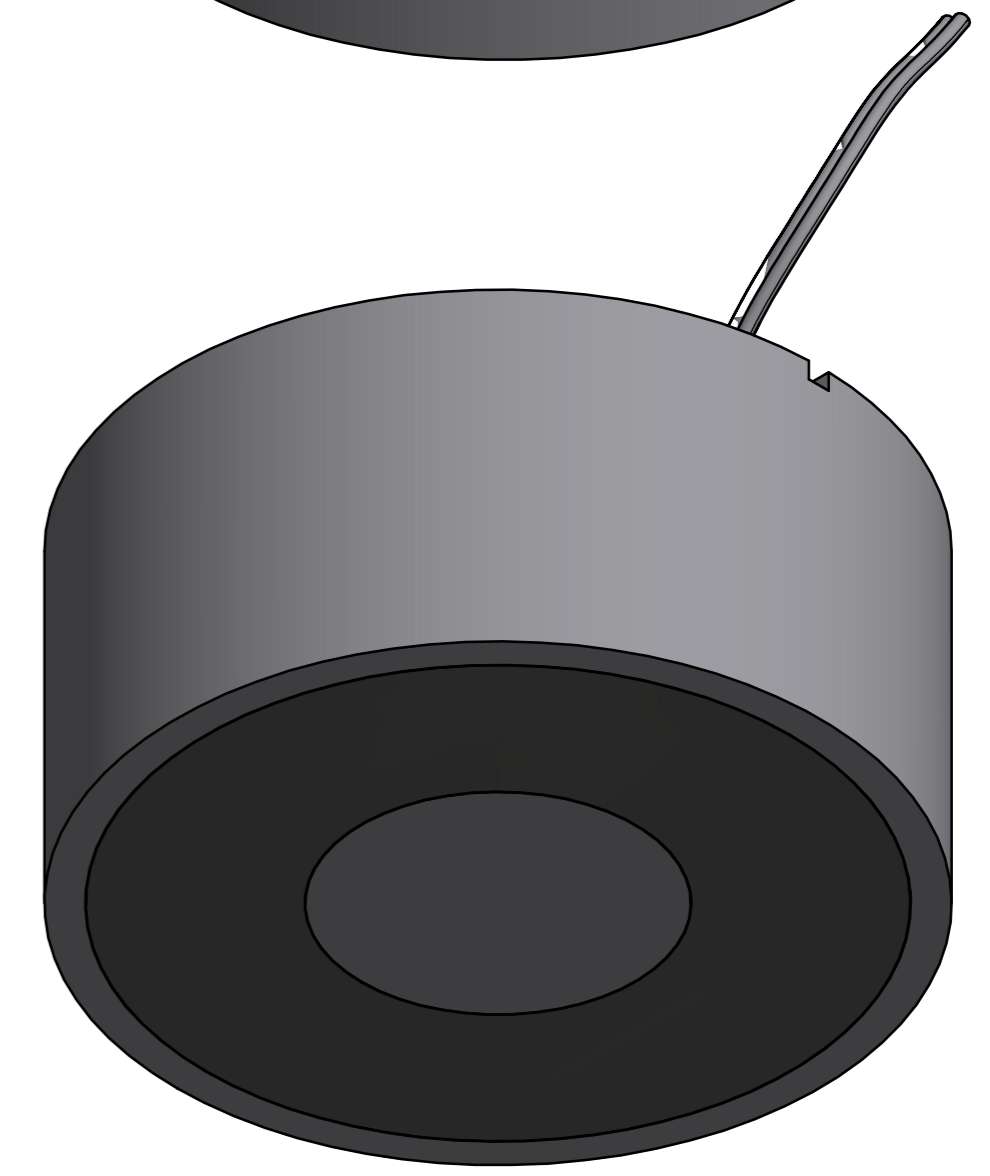
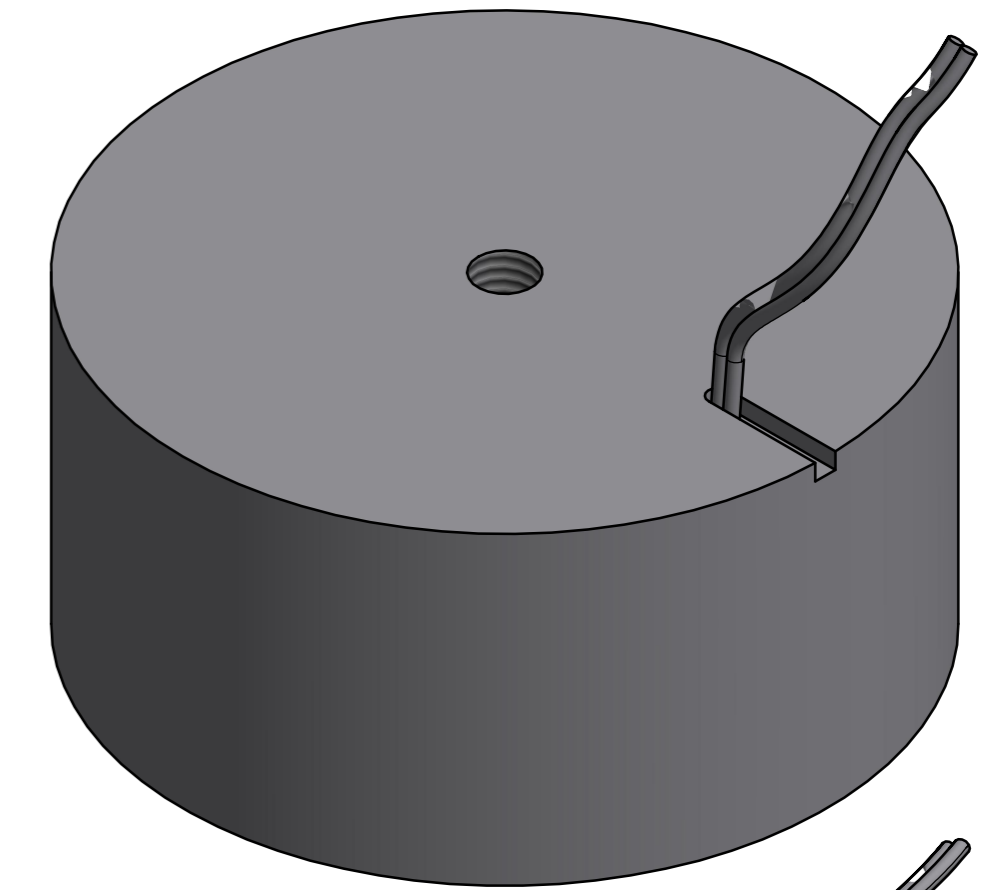
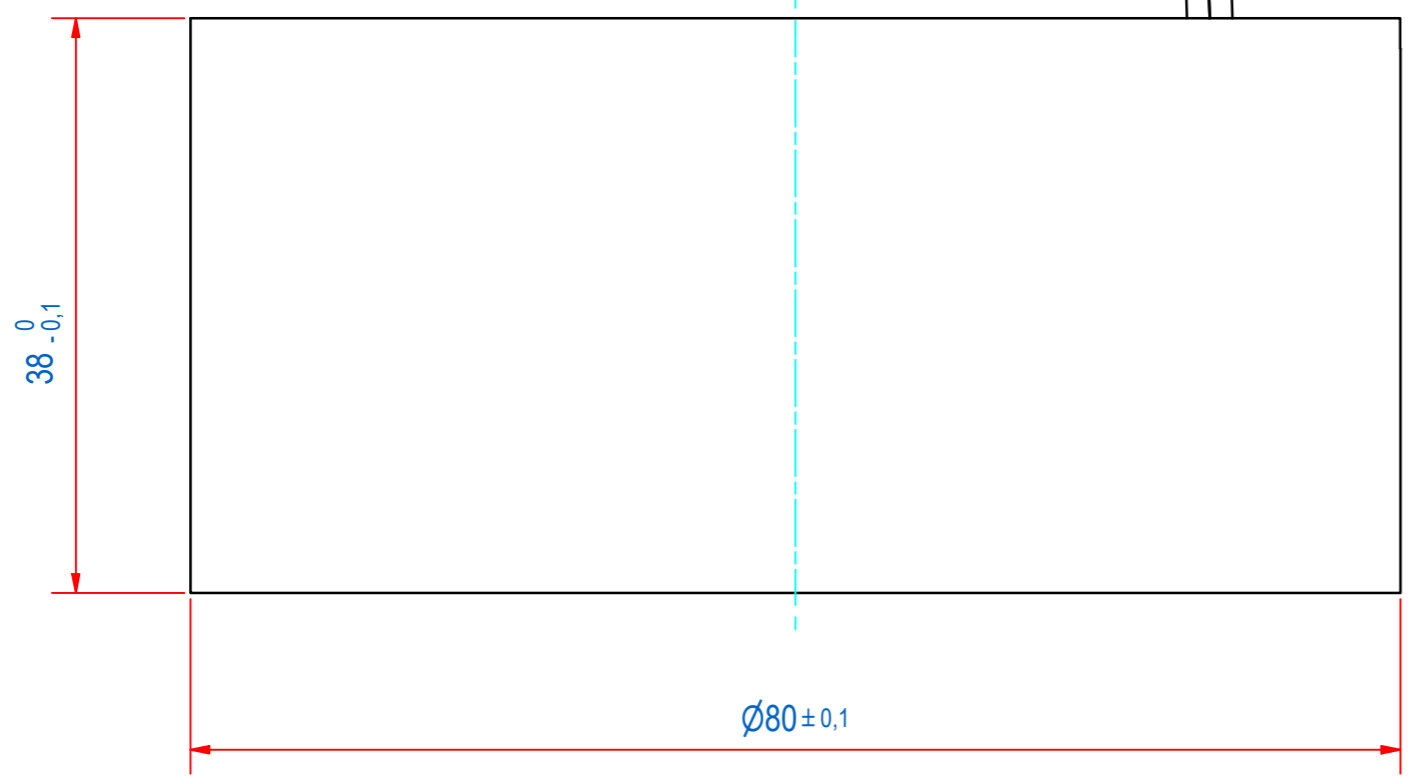
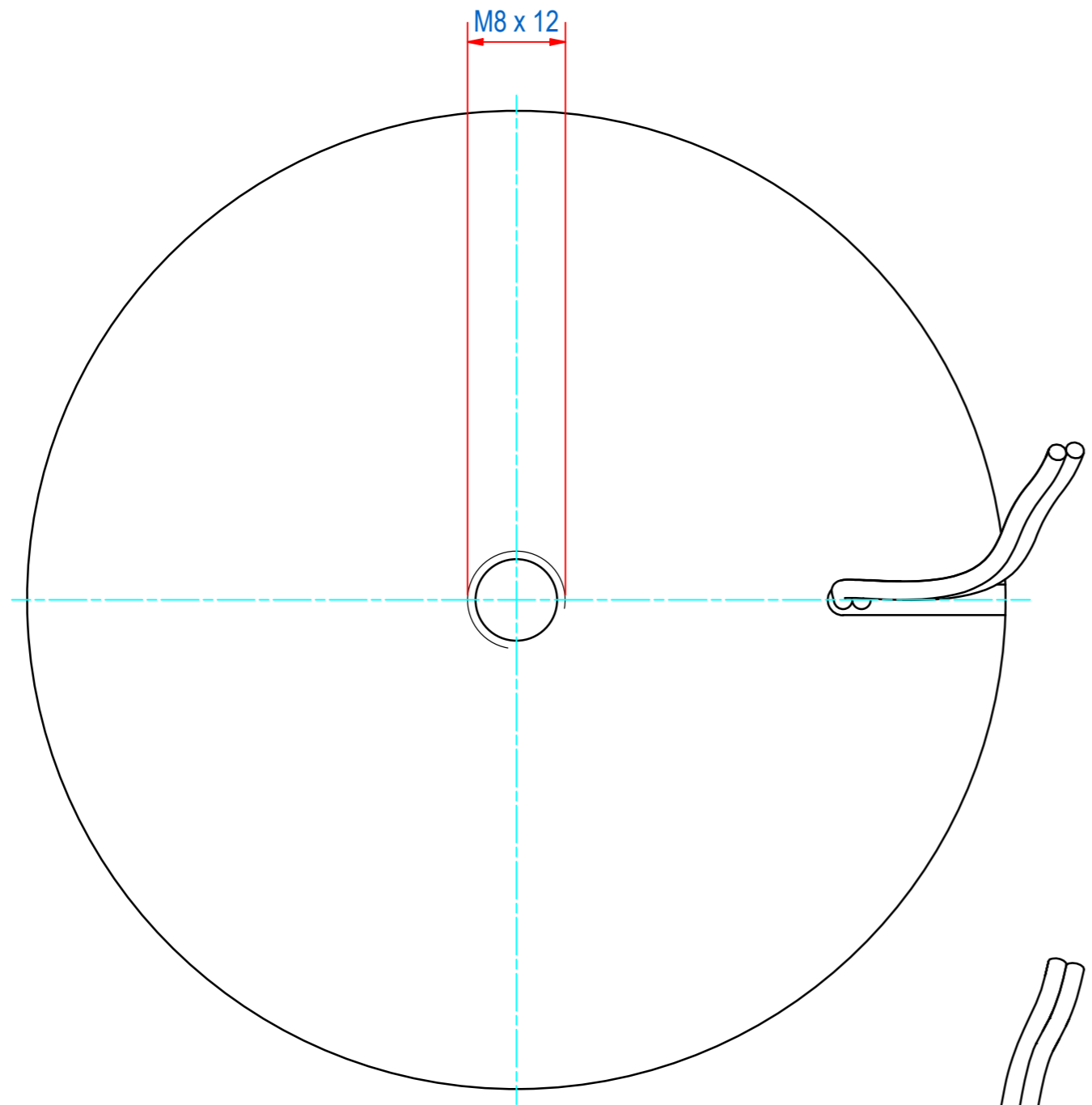


3	2	1
DOC.NR. E0102935	REV -	DATE 4-10-2018
BY GS	DESCRIPTION NEW VAULT, NEW REVISION. NOTHING CHANGED. OLD REV WAS A	



RAW MAT.	1									
Quantity		Material Number		Material Description		Length (mm)		Width (mm)		
Sheet:	A2	Extra info:	24V - 17,2W	General tolerance:	ISO 2768 - mK					
Drawn:	RM	Weight (kg):	1,5	Drawn according:	ISO286; ISO1101; ISO2553					
Date:	4-10-2018				Status:	Standard				
Spare part:	False				Source:	MC-C	Customer reference number:			
Quick search:	EHRO0080		<small>© All rights reserved. Reproduction is not permitted without written permission of GOUDSMIT Magnetic Systems BV</small>			Document number:	GM17808		Doc.Rev:	-
Description:	HEPM-EM-D080-038-SW				Part number:	GM17808		Rev:	-	