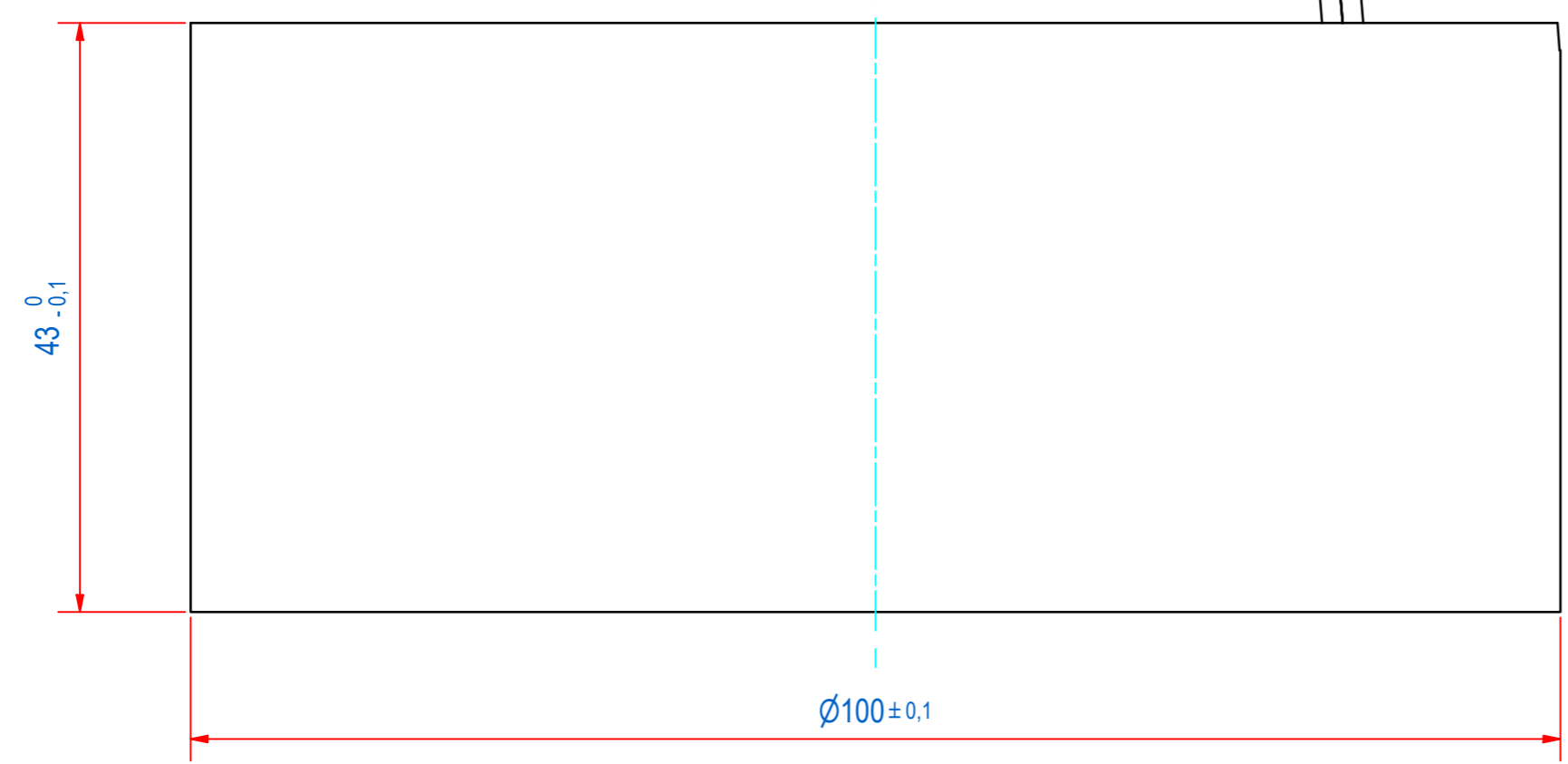
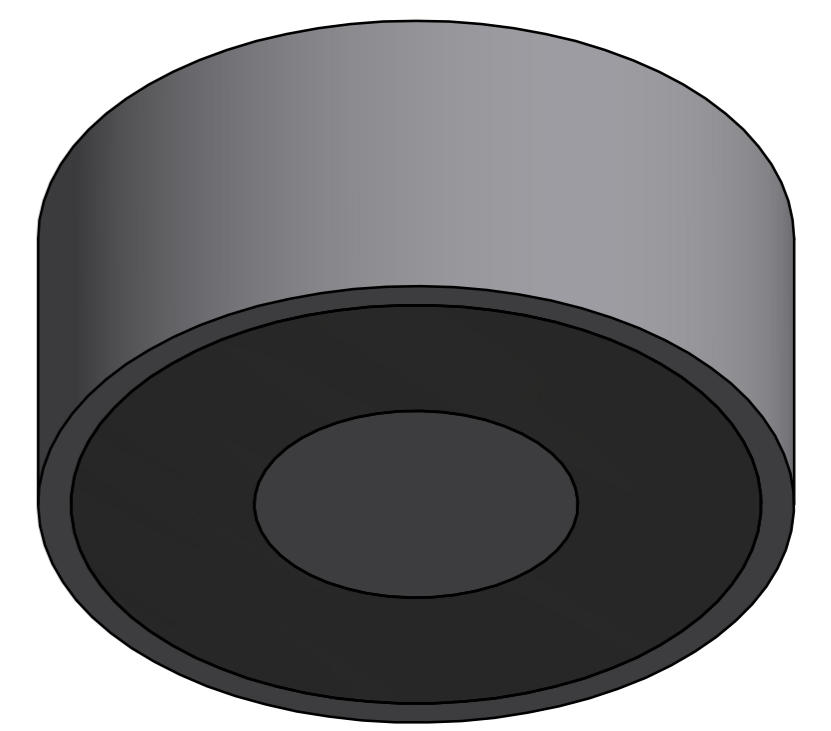
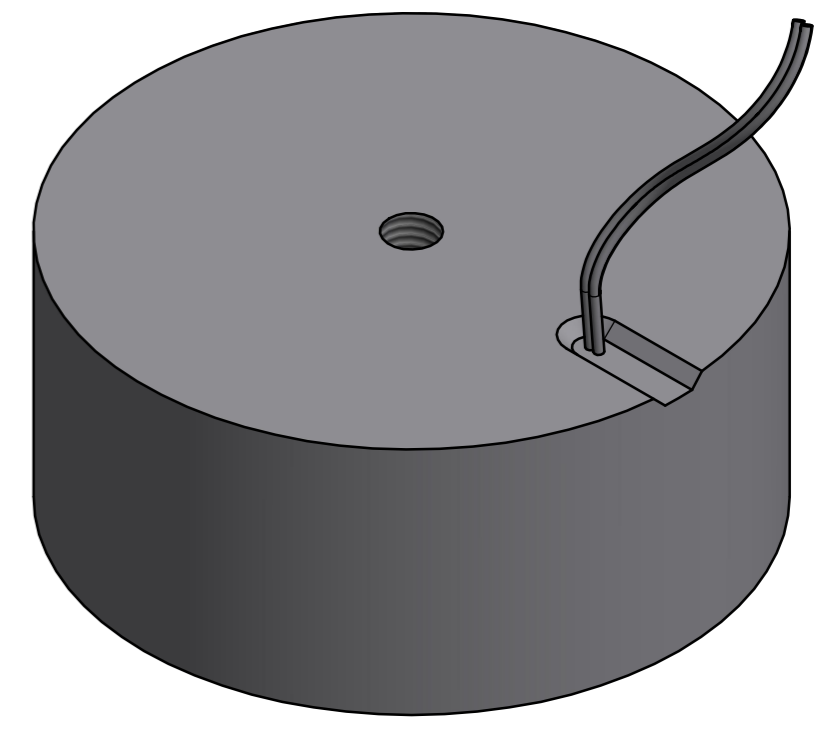
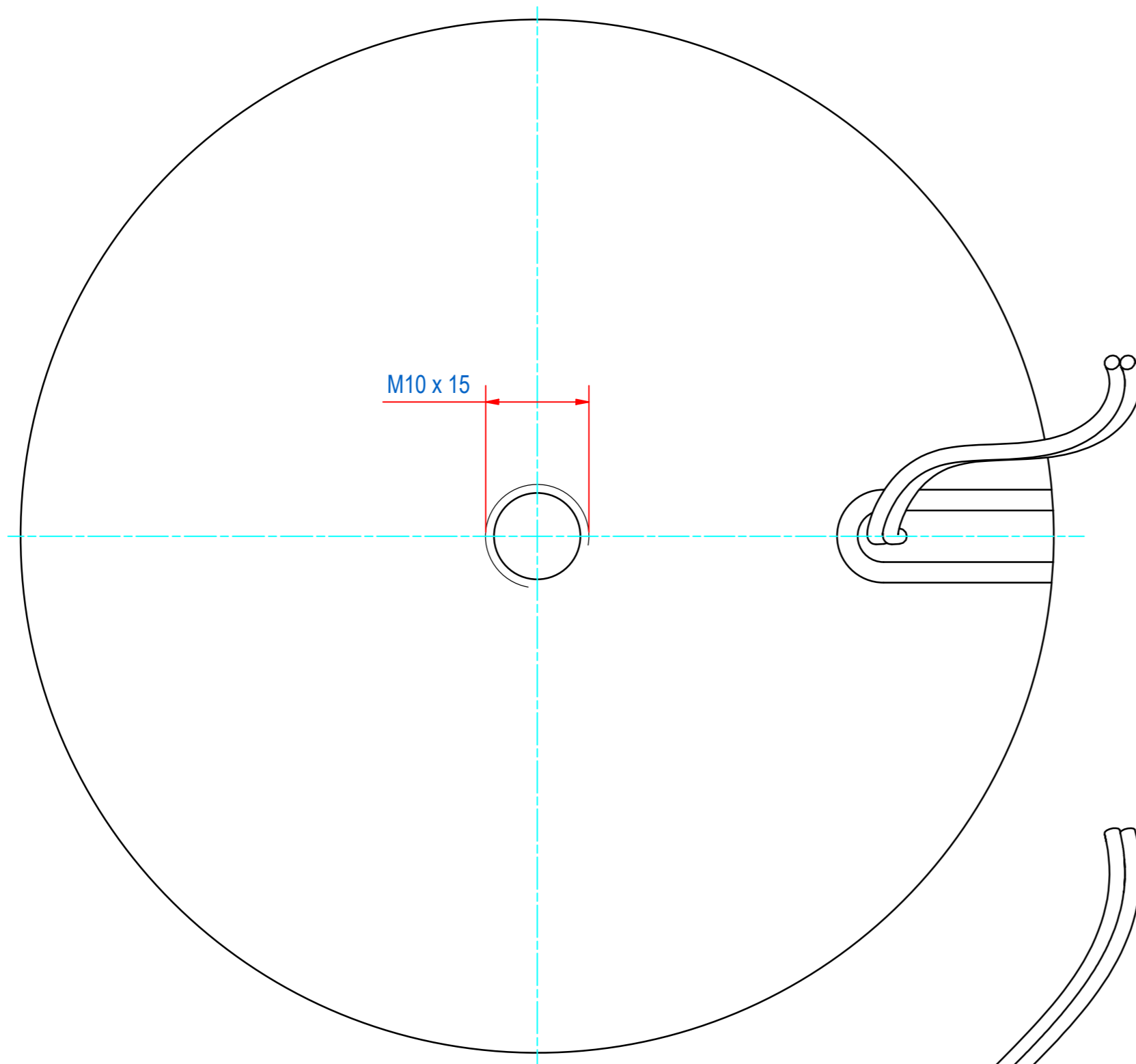


DOC.NR.	REV	DATE	BY	DESCRIPTION
GM17810	-	4-10-2018	GS	NEW VAULT, NOTHING CHANGED, IS EQUAL TO EHRO010001



RAW MAT.	1	Quantity	Material Number	Material Description	Length (mm)	Width (mm)
Sheet:	A2	Extra info:	24V - 25W			
Drawn:	GS	Weight (kg):	2,6			
Date:	4-10-2018	General tolerance:		ISO 2768 - mK		
Spare part:	False	Source:	MC-C		Drawn according:	
Quick search:	EHRO0100	GOUDSMIT MAGNETICS		ISO286; ISO1101; ISO2553		
Description:	HEPM-EM-D100-043-SW			Status:	Standard	
				Customer reference number:		
				Document number:	GM17810	Doc.Rev:
				Part number:	GM17810	Rev:
				© All rights reserved. Reproduction is not permitted without written permission of GOUDSMIT Magnetic Systems BV		