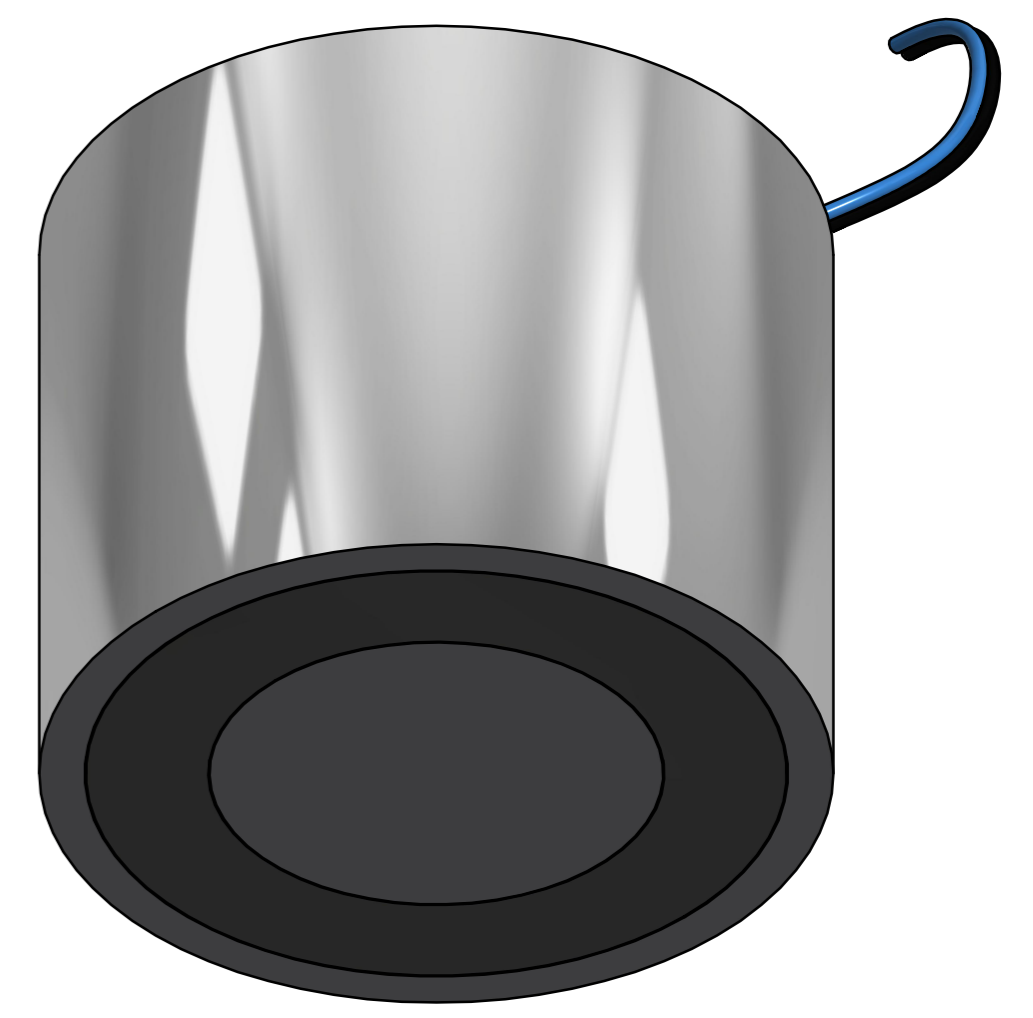
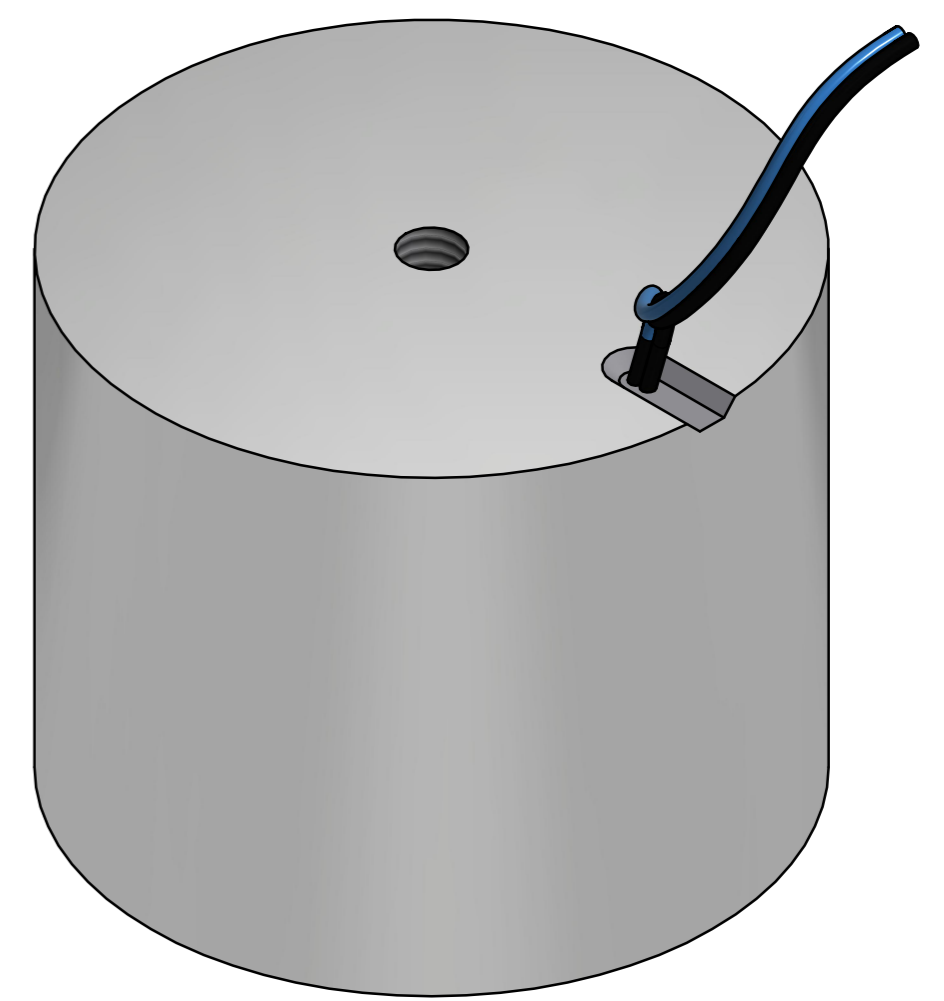
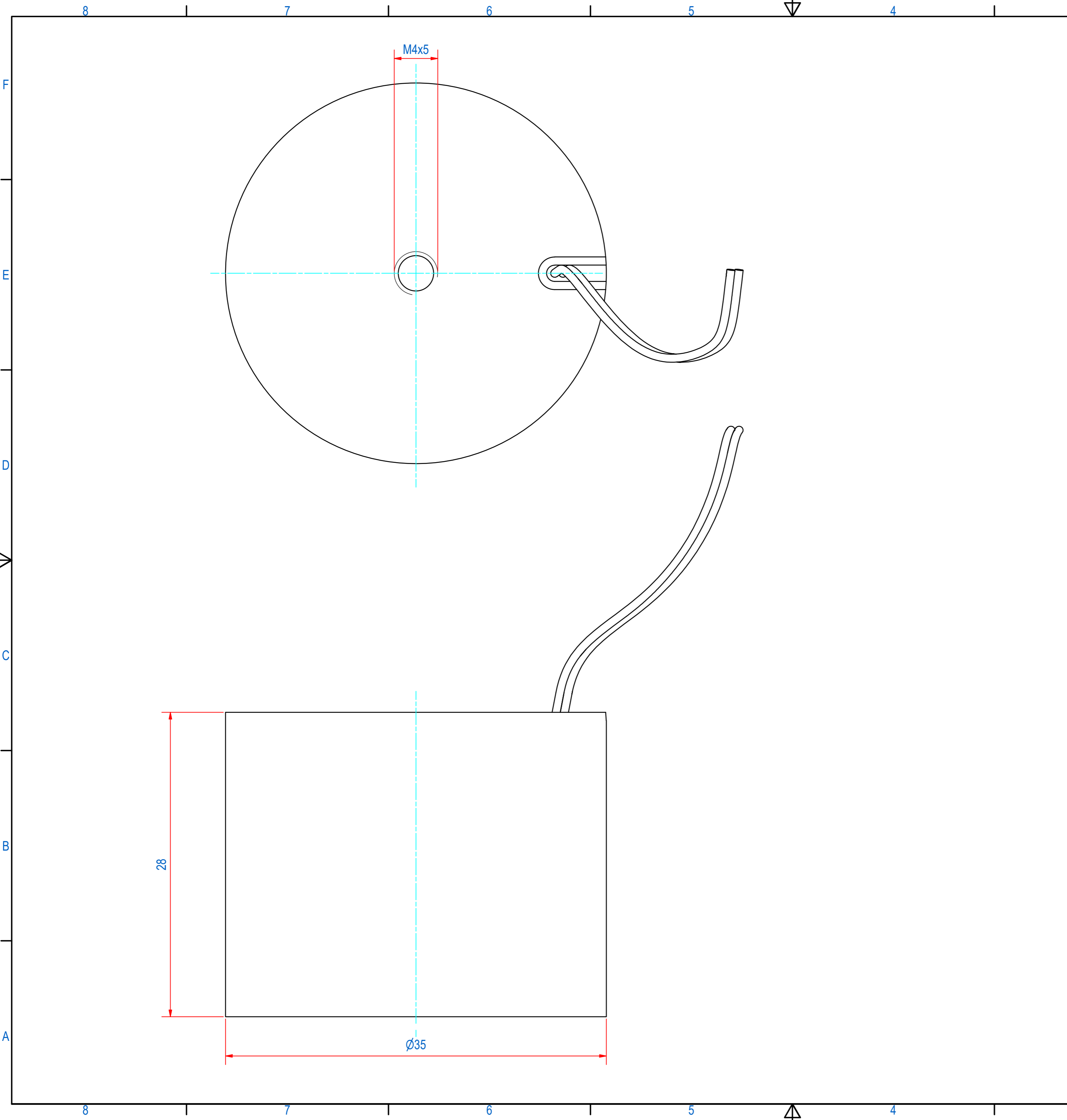


3	DOC.NR.	REV	DATE	BY	2	DESCRIPTION	1
	GM17853	-	19-11-2018	GS		ORIGINAL DRAWING	



RAW MAT.	Quantity	Material Number	Material Description	Length (mm)	Width (mm)
1					
Sheet:	A2	Extra info:	24VDC - 4,6W DUTY CYCLE 25%	General tolerance: ISO 2768 - mK	
Drawn:	GS	Weight (kg):	0,21	Drawn according: ISO286; ISO1101; ISO2553	
Date:	19-11-2018			Status: Standard	
Spare part:	False			Customer reference number:	
Source:	MC-C	Quick search:	EHRO0035	Document number:	GM17853
Description:			HEPM-EP-D035-028-SW	Part number:	GM17853
				Doc.Rev:	-
				Rev:	-