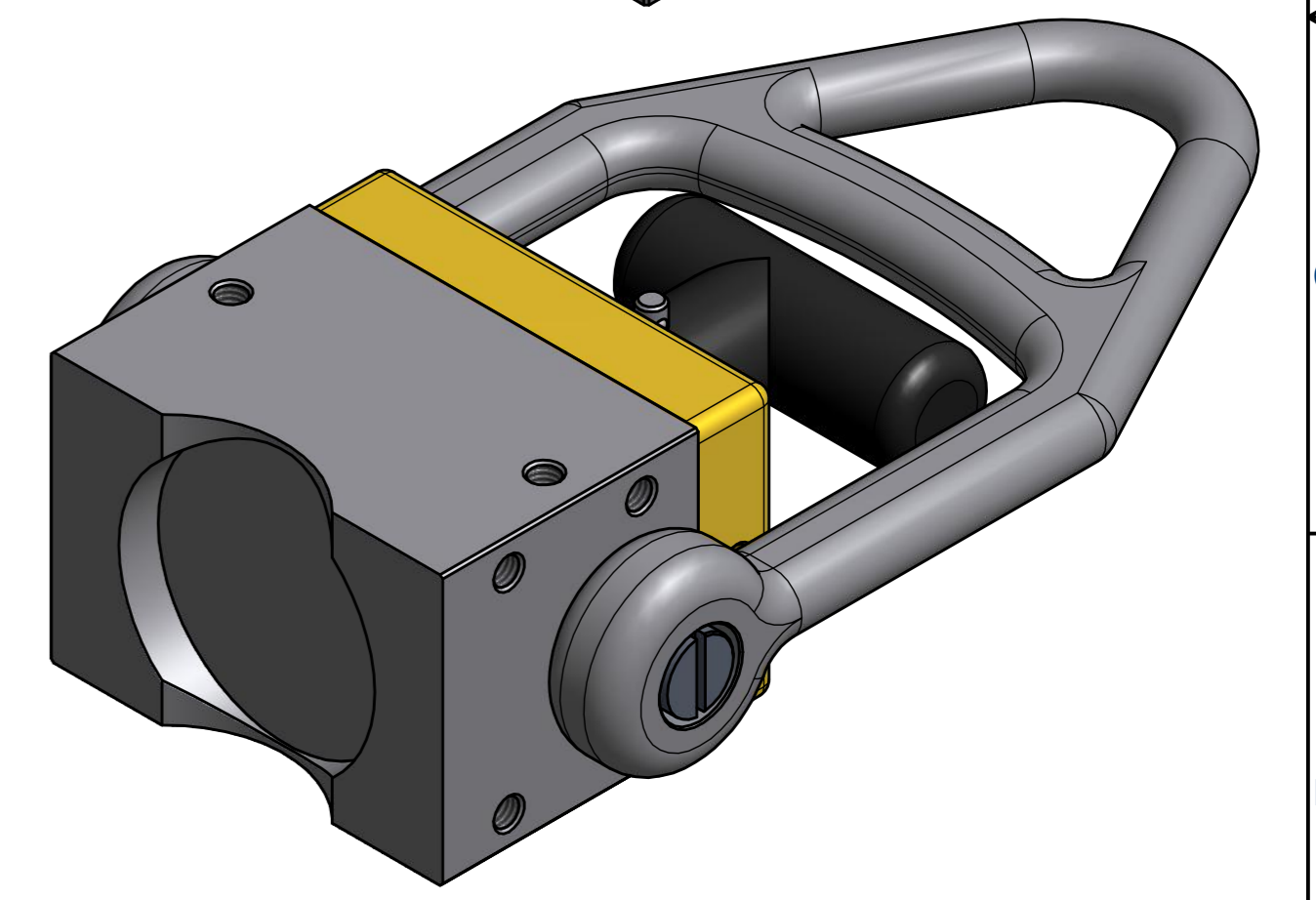
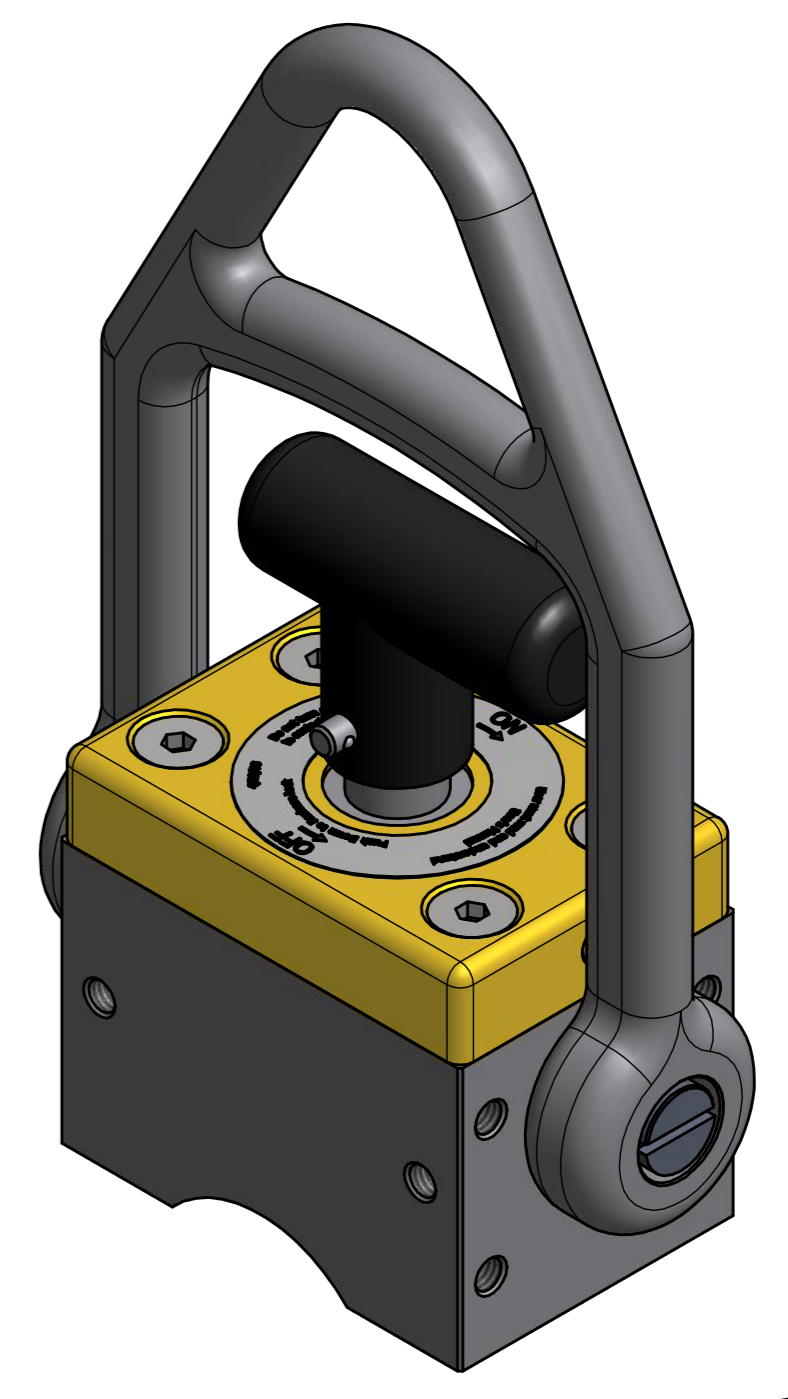
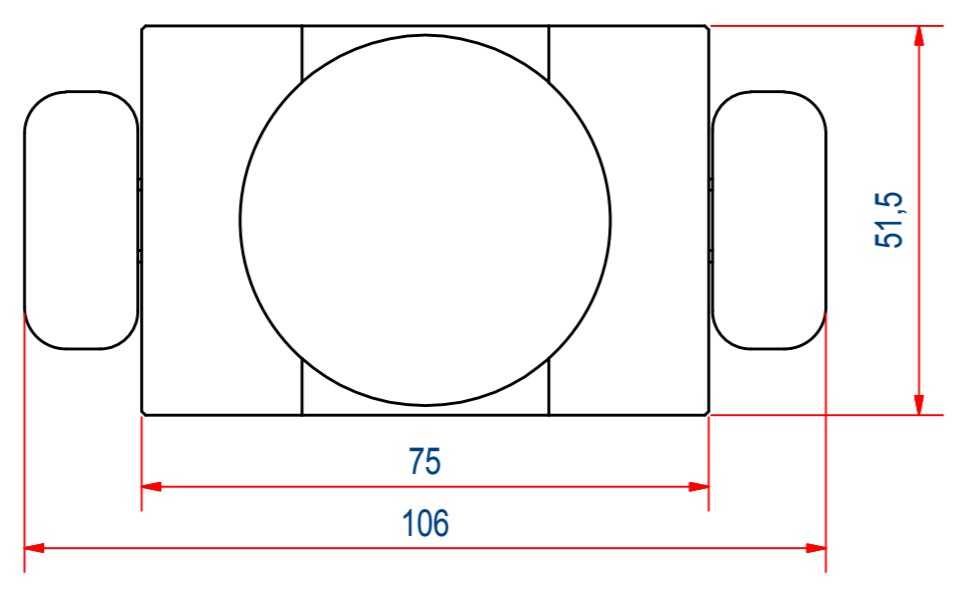
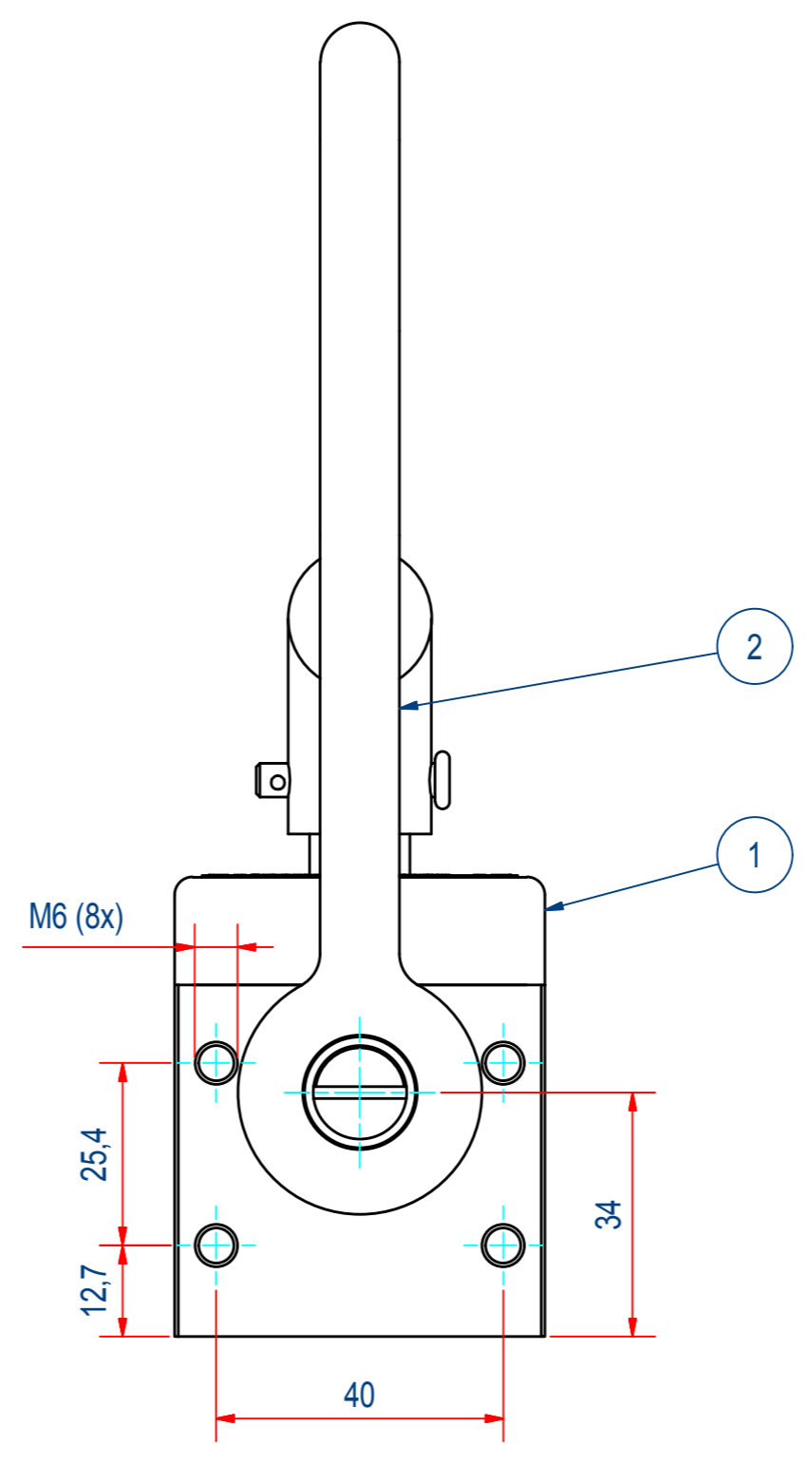
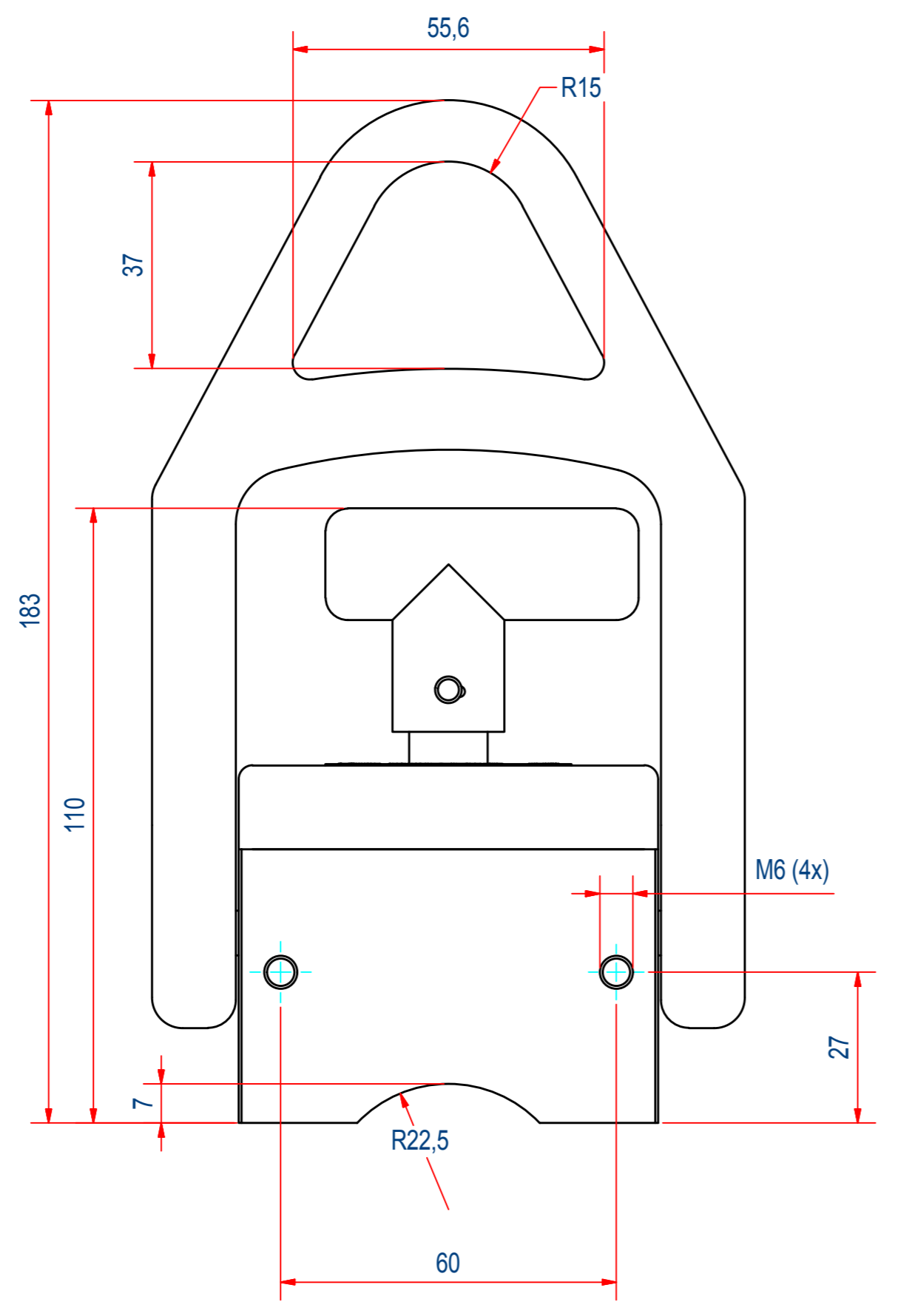
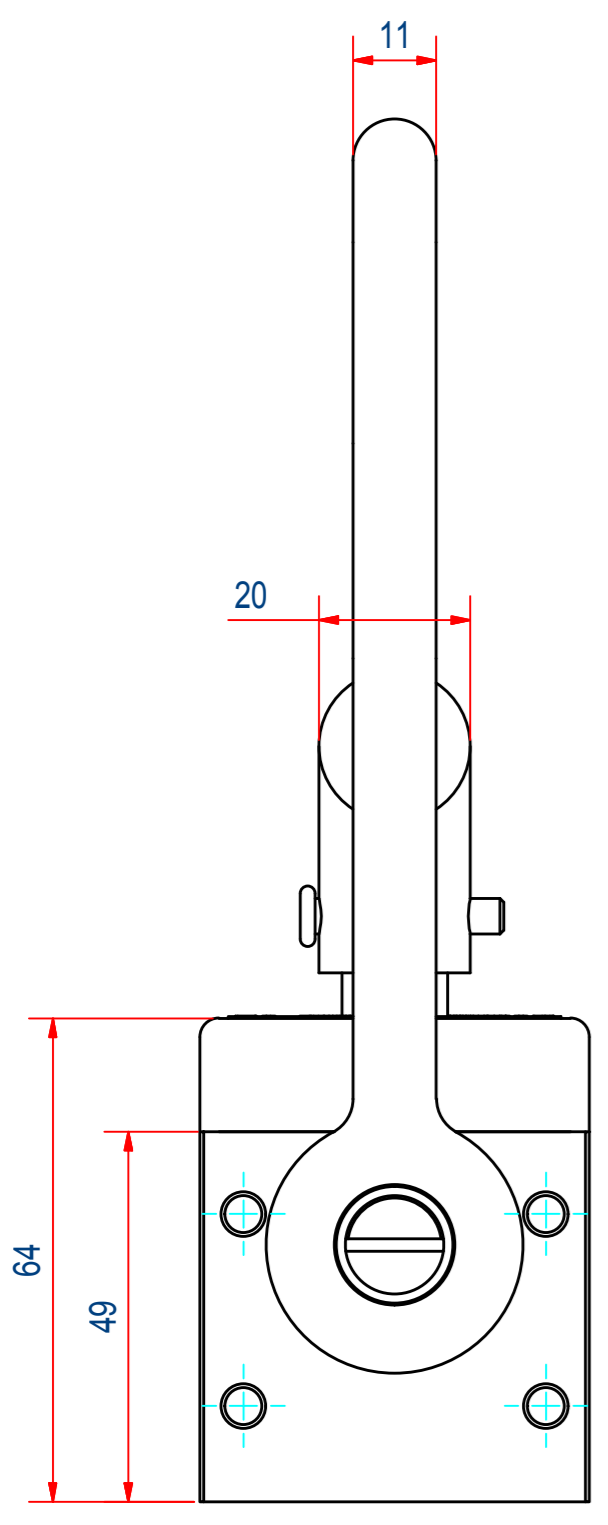
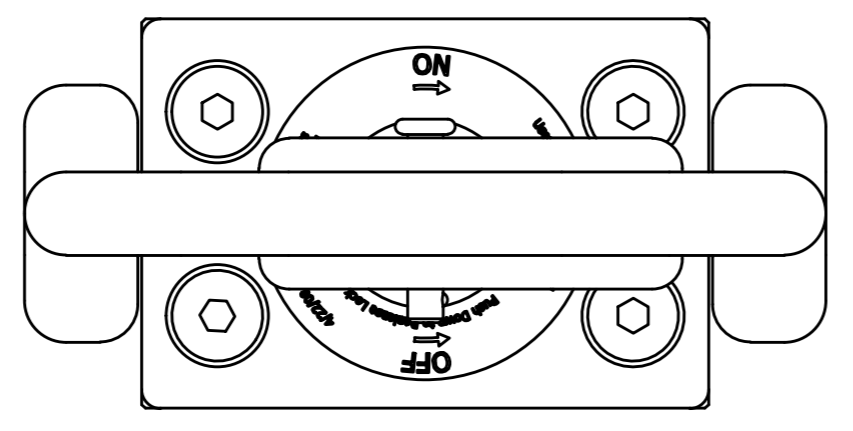
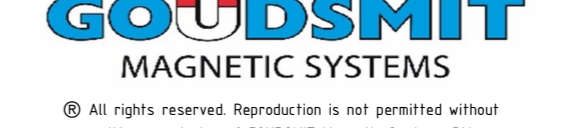


REV	DATE	BY	DESCRIPTION
-	17-10-2013	PB	REFERENCE DRAWING: TMHL005001_A



ITEM	QTY	PART NUMBER	DESCRIPTION	Dimensions
2	1	MS-8800008	HMS-HOOK BRACKET MAGSQUARE50mm	
1	1	MS-8100106	HMS-MAGSQUARE600	
RAW MAT.	1			
	QTY	MAT. NUMBER	MAT. DESCRIPTION	LENGTH (mm) WIDTH (mm)
Sheet: A2		Extra info:		General tolerance: ISO 2768- mK
Drawn: PB		Weight (kg): 2		Drawn according: ISO268; ISO1101; ISO2553
Date: 17-10-2013		Status: Standard		Customer reference number:
Spare part: False		File number: MS-8100089		Rev: -
Quick search: MS MLAY600		Part number: MS-8100089		Rev: -
Description: HMS-MLAY600 LIFT MAGNET-50MM		Part number: MS-8100089		Rev: -



© All rights reserved. Reproduction is not permitted without written permission of GOUDSMIT Magnetic Systems BV