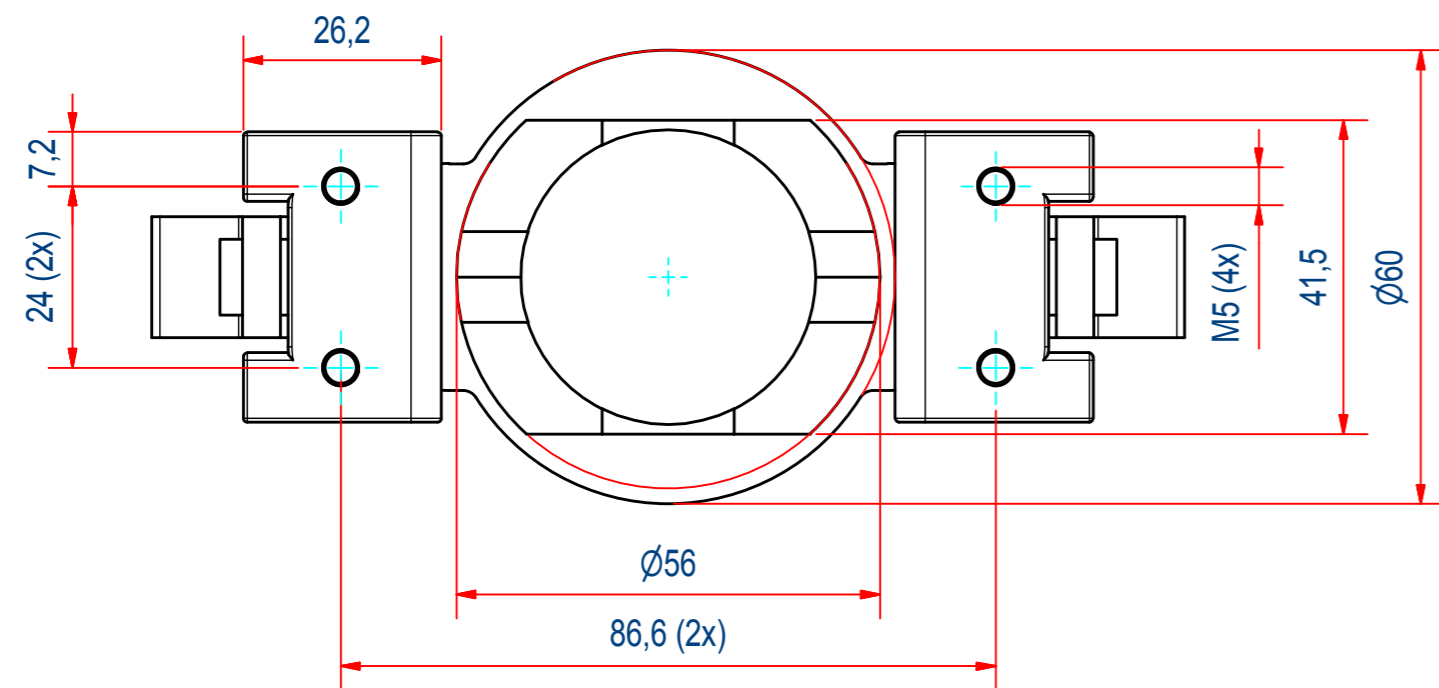
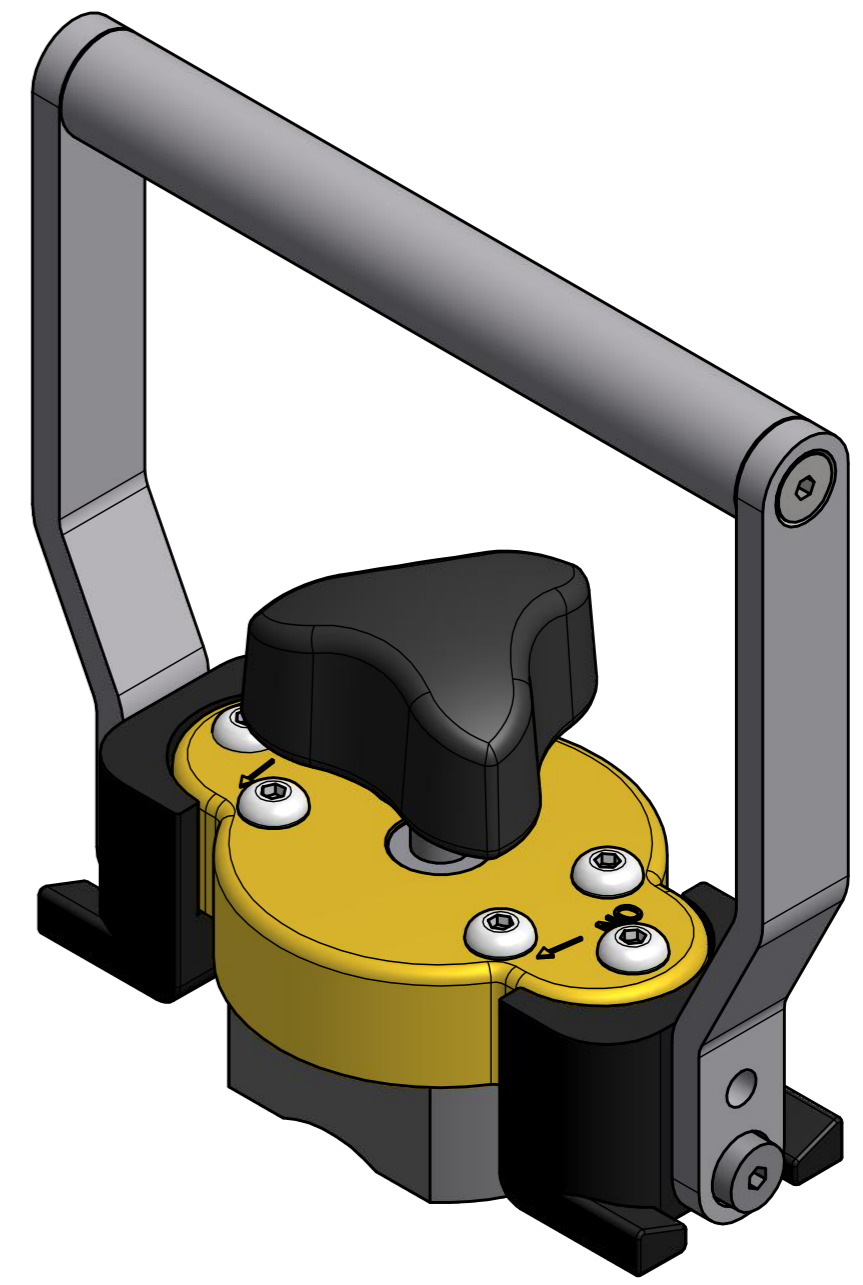
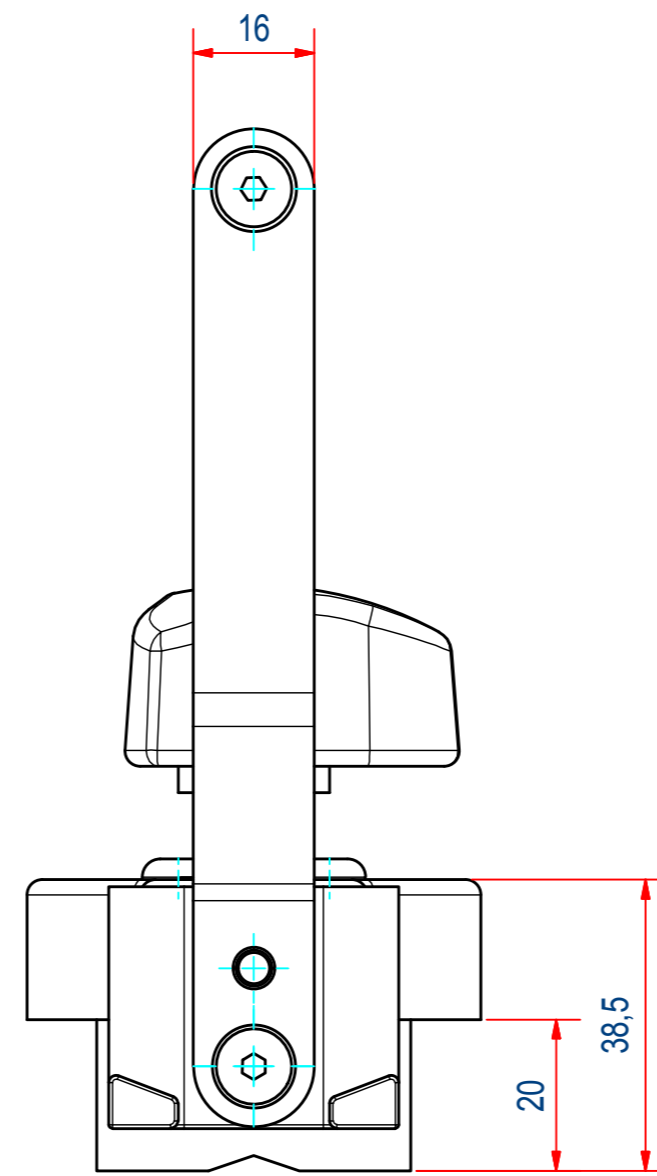
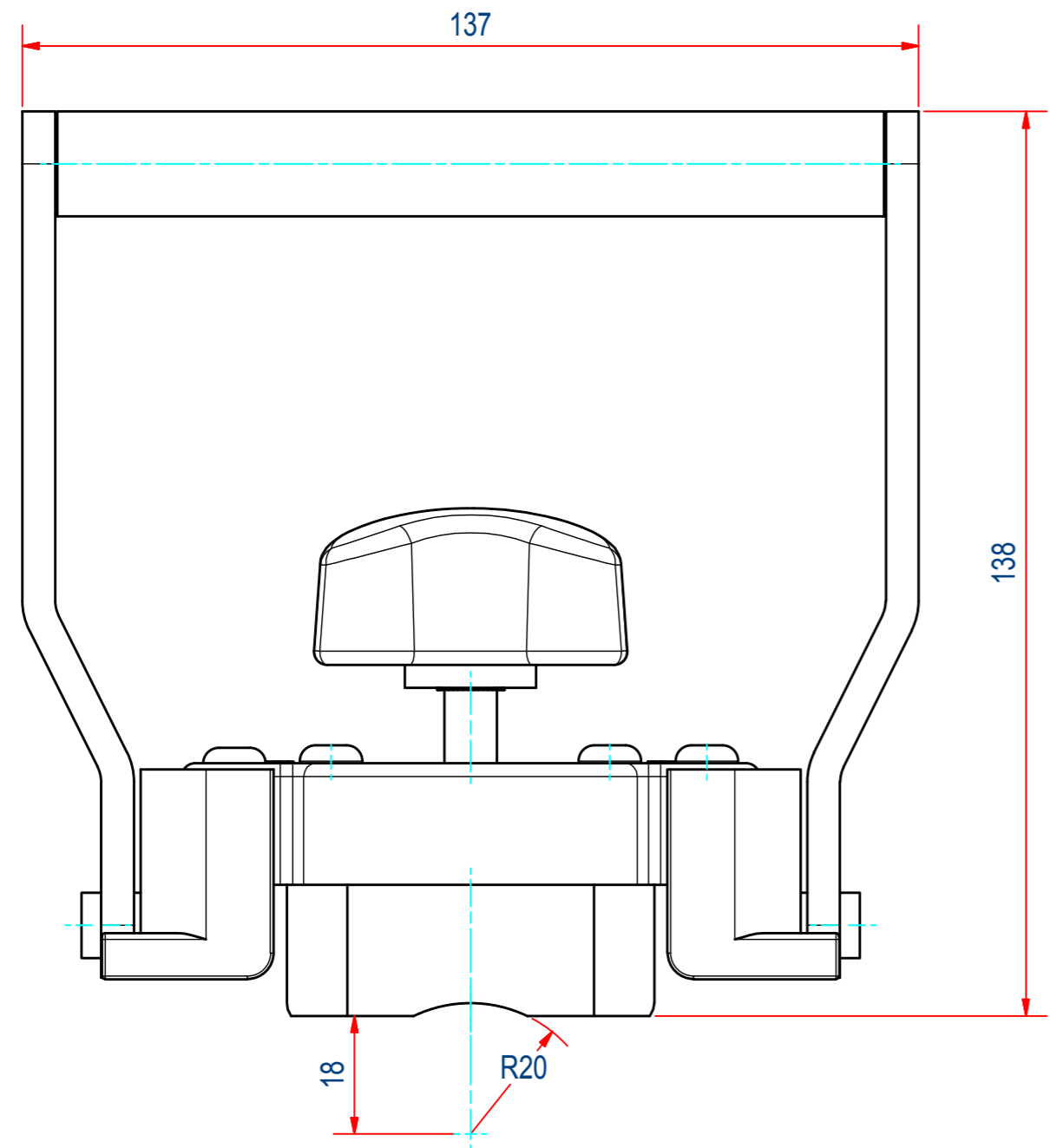
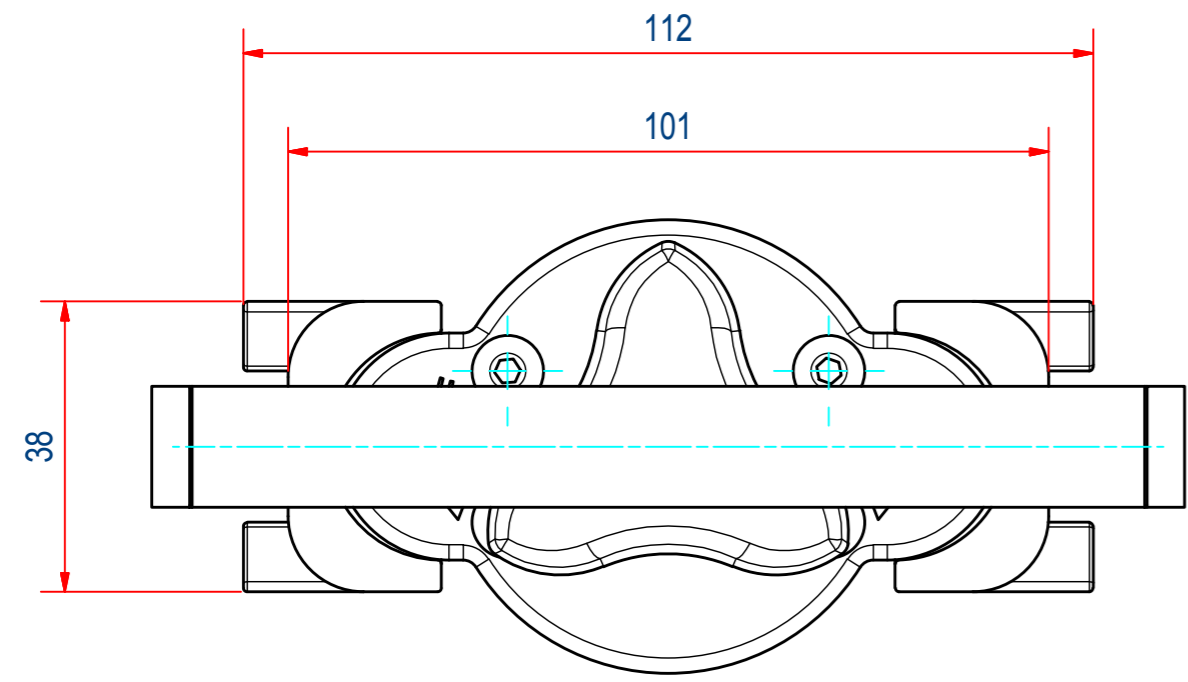


REV	DATE	BY	DESCRIPTION
-	12-12-2013	BS	ORIGINAL DRAWING



RAW MAT.	QTY	MAT. NUMBER	MAT. DESCRIPTION	LENGTH (mm)	WIDTH (mm)
1					
Sheet: A2		Extra info:		General tolerance: ISO 2768 - mK	
Drawn: BS		Weight (kg): 0,6		Drawn according: ISO268; ISO1101; ISO2553	
Date: 11-12-2013				Status: Standard	
Spare part: False				Customer reference number:	
Quick search: MS040X1		© All rights reserved. Reproduction is not permitted without written permission of GOUDSMIT Magnetic Systems BV		File number: MS-8100359	
Description: HMS-HAND LIFTER 60-M-40MM				Part number: MS-8100359	