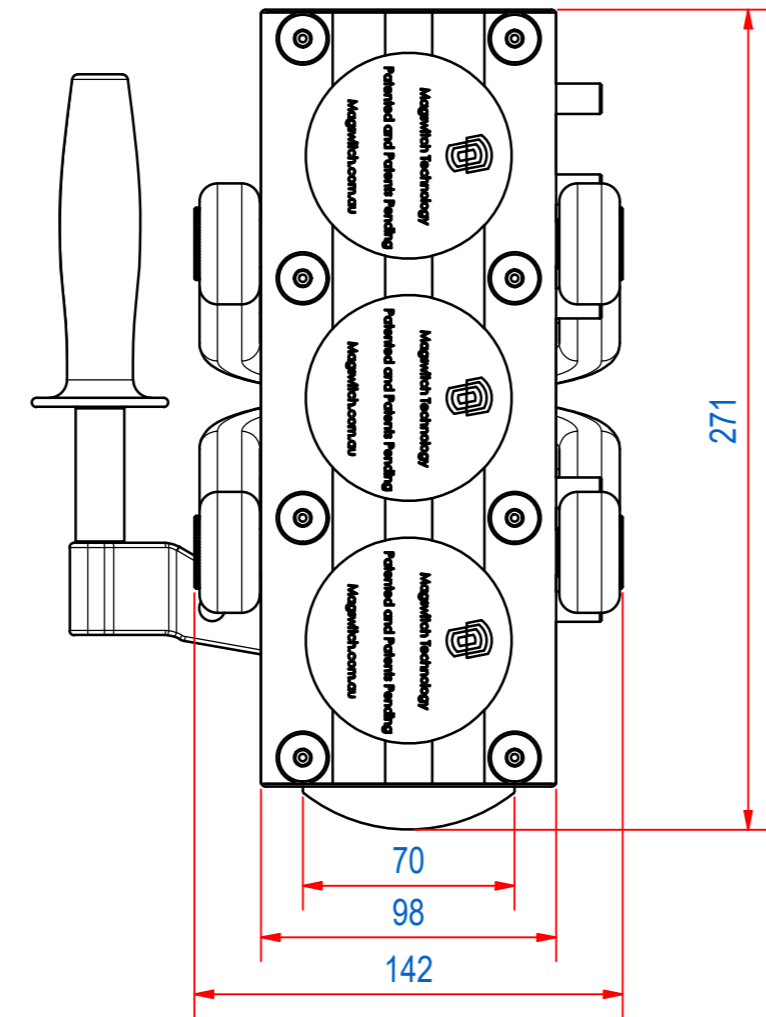
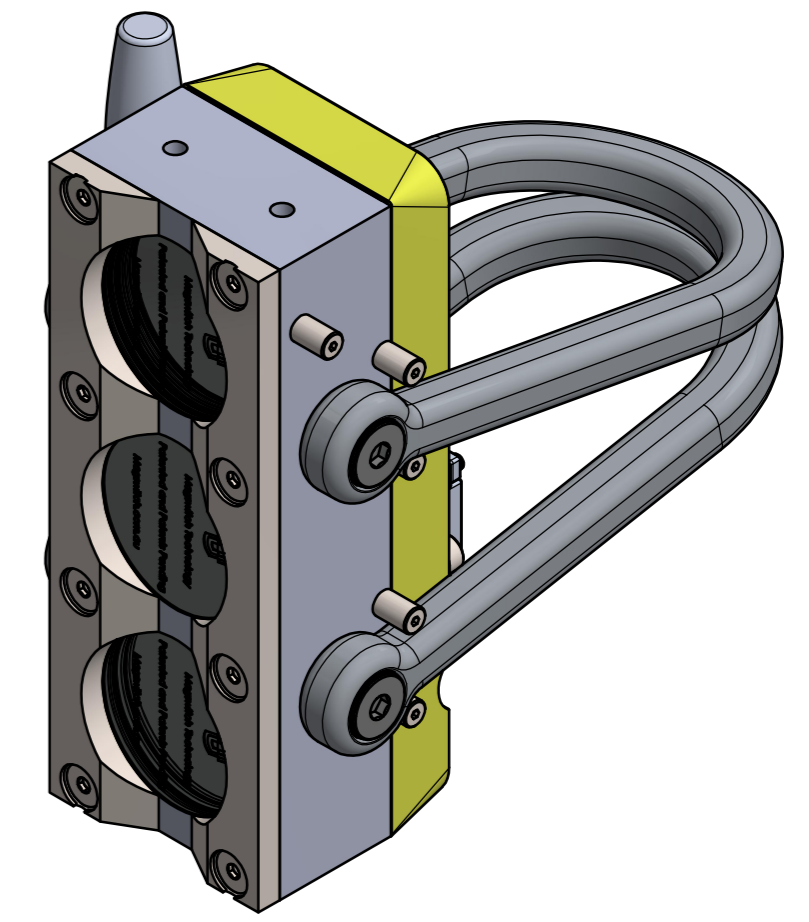
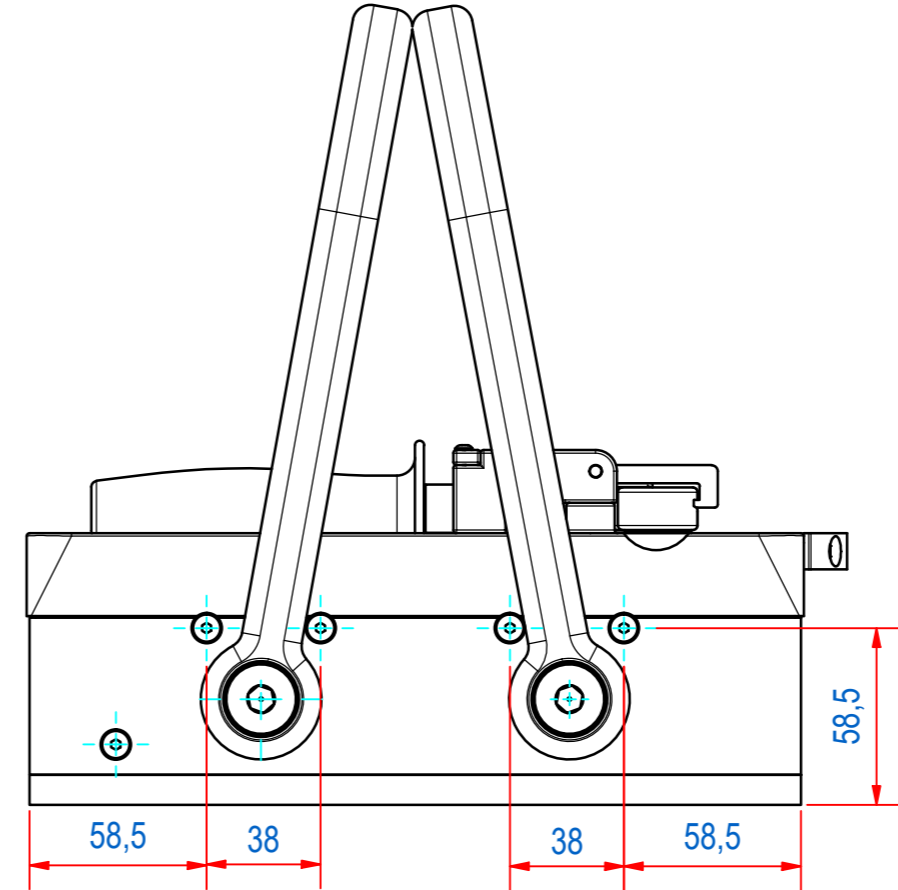
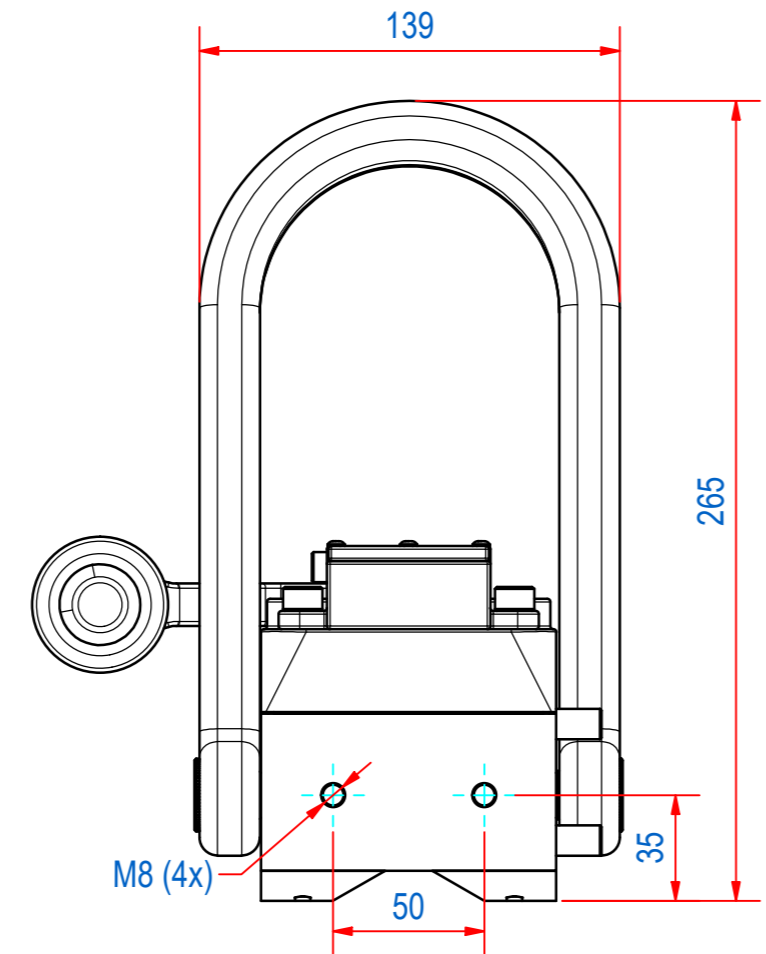
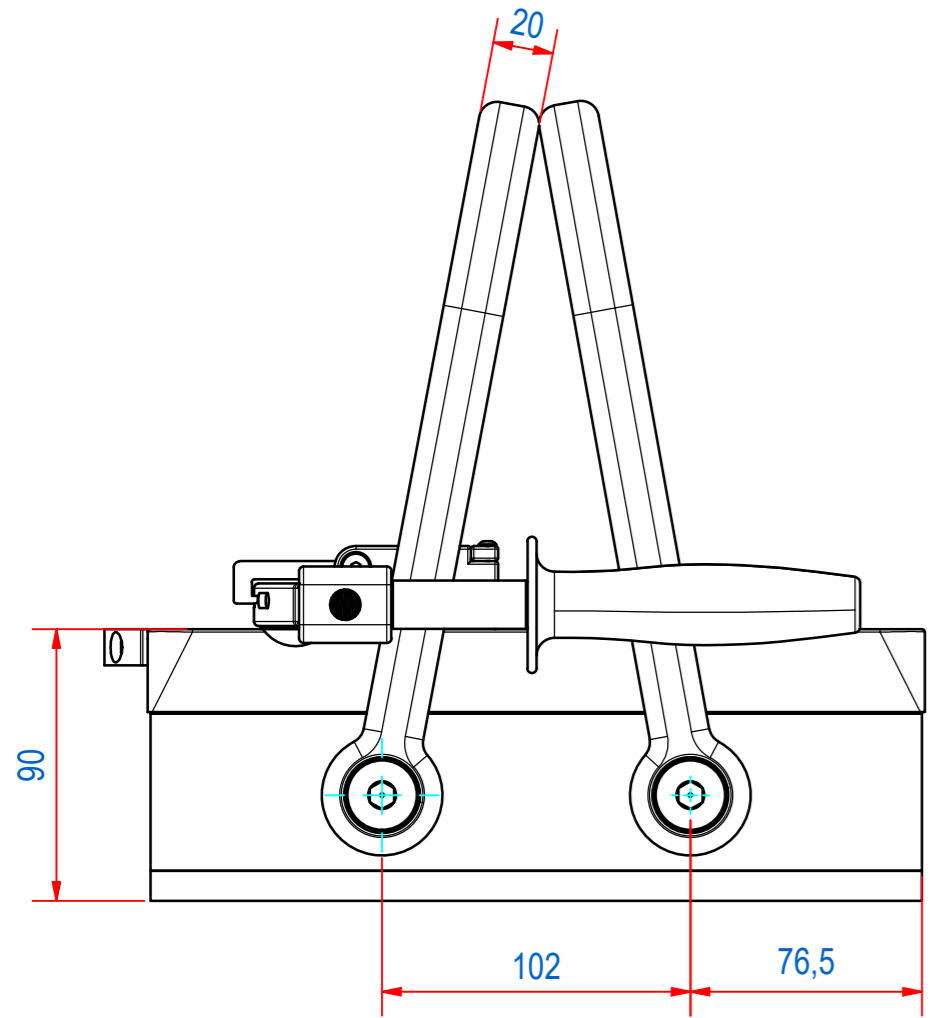
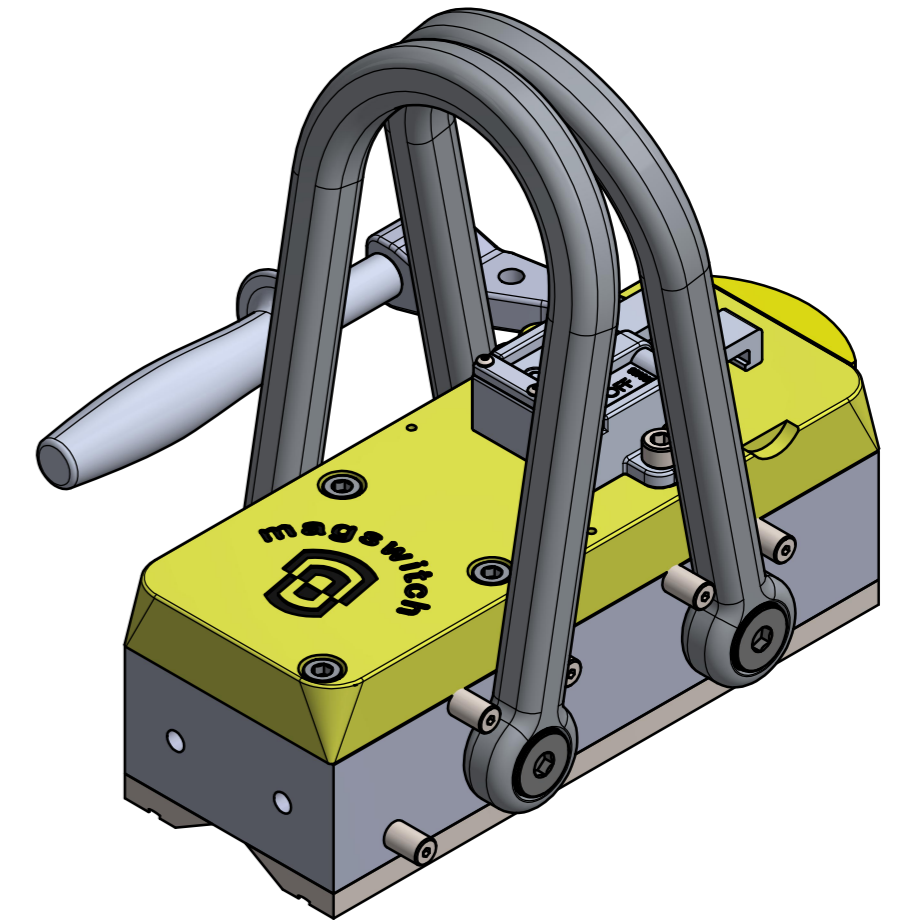
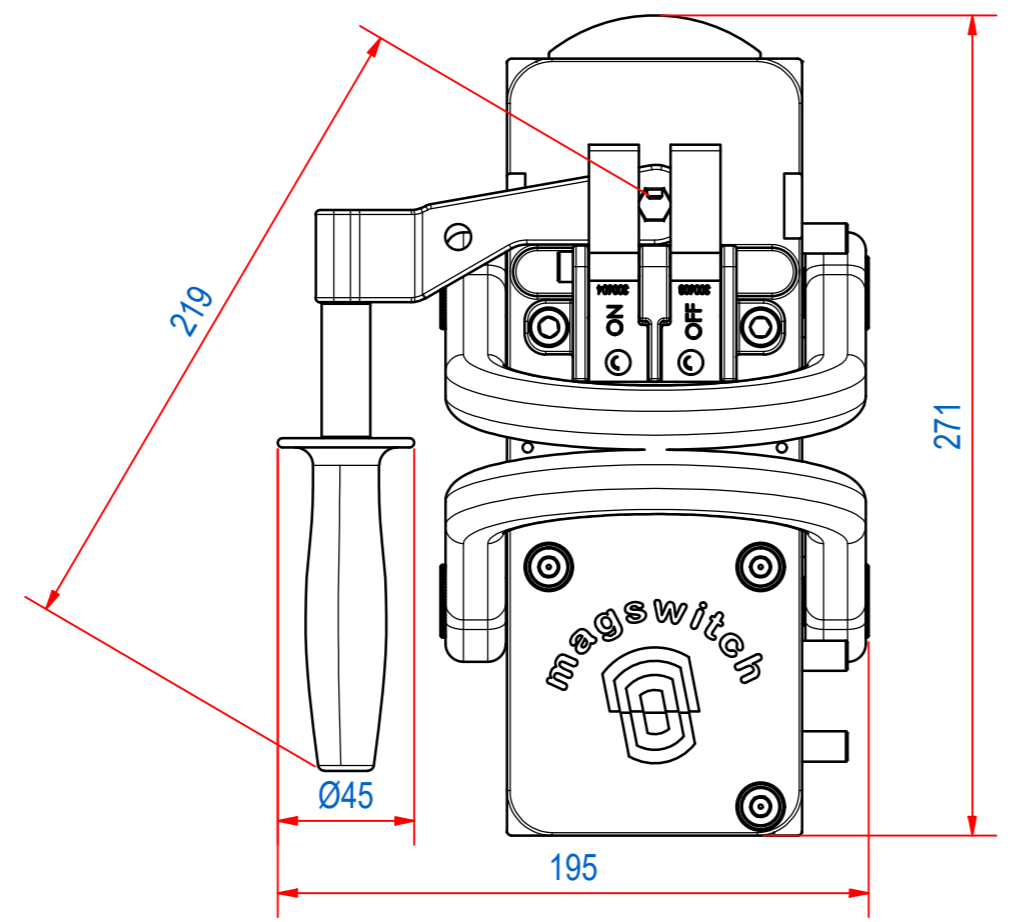


REV	DATE	BY	DESCRIPTION
-	12-12-2013	BS	ORIGINAL DRAWING
A	12-2-2020	JVe	MODEL UPDATED TO LATEST VERSION



RAW MAT.	1	Quantity	Material Number	Material Description	Length (mm)	Width (mm)
Drawn:	AVD	Sheet:	A2	Extra info:	General tolerance: ISO 2768 - mK	
Date:	5-7-2012	Weight (kg):	16		Drawn according: ISO268; ISO1101; ISO2553	
Spare part:	False	Source:			Status: Standard	
Quick search:	MS070X3	© All rights reserved. Reproduction is not permitted without written permission of GOUDSMIT Magnetic Systems BV			Document number:	Doc.Rev:
Description:	HMS-MLAY1000x3 LIFT MAGNET-70				MS-8100403	A
		Part number:	MS-8100403			Rev:
						A