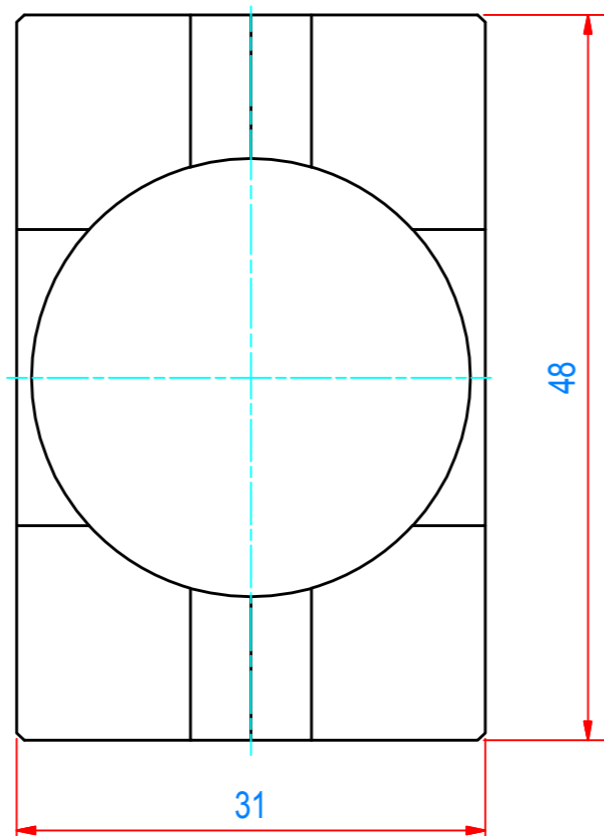
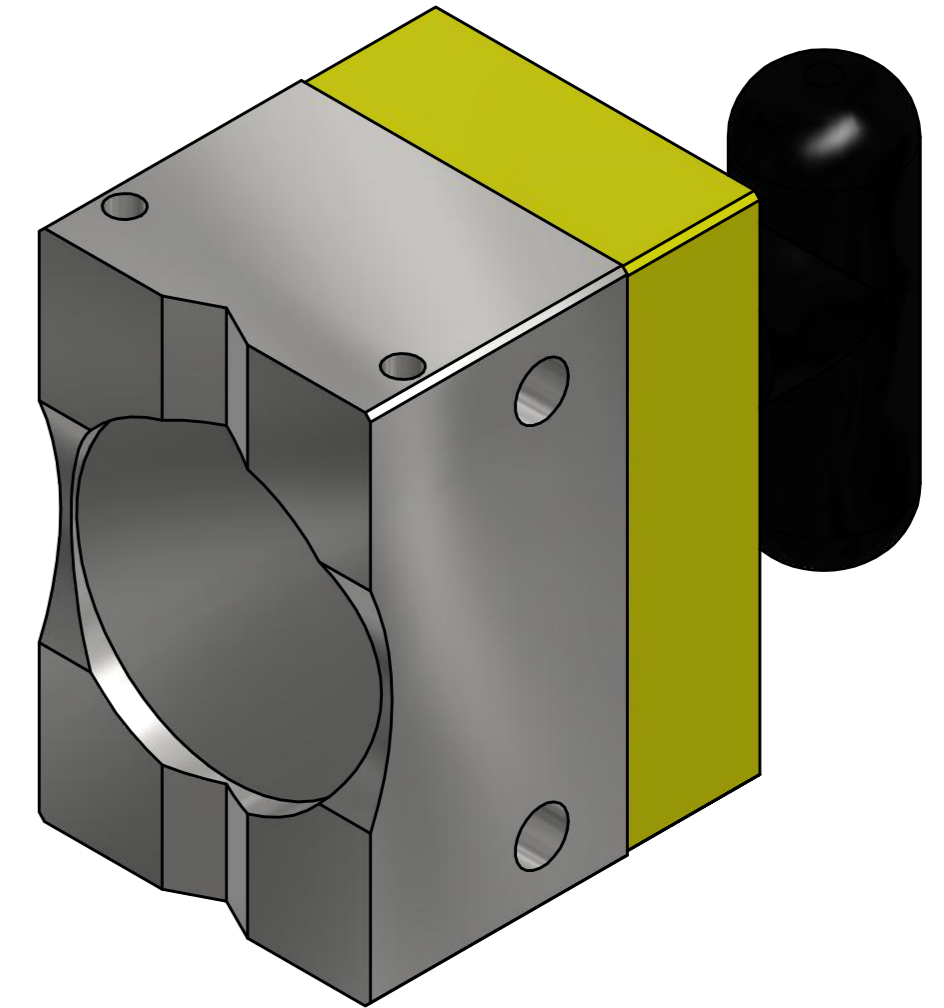
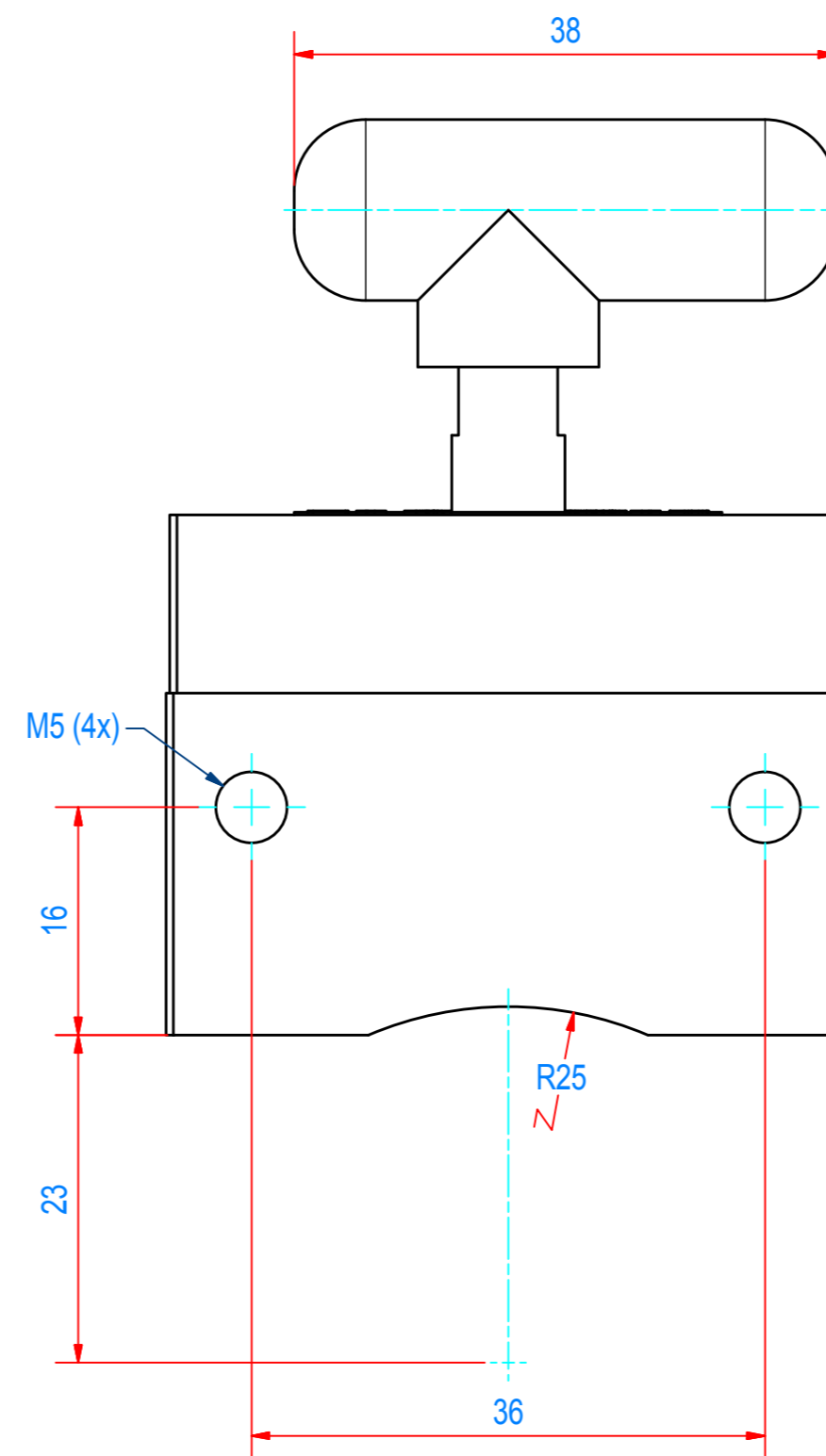
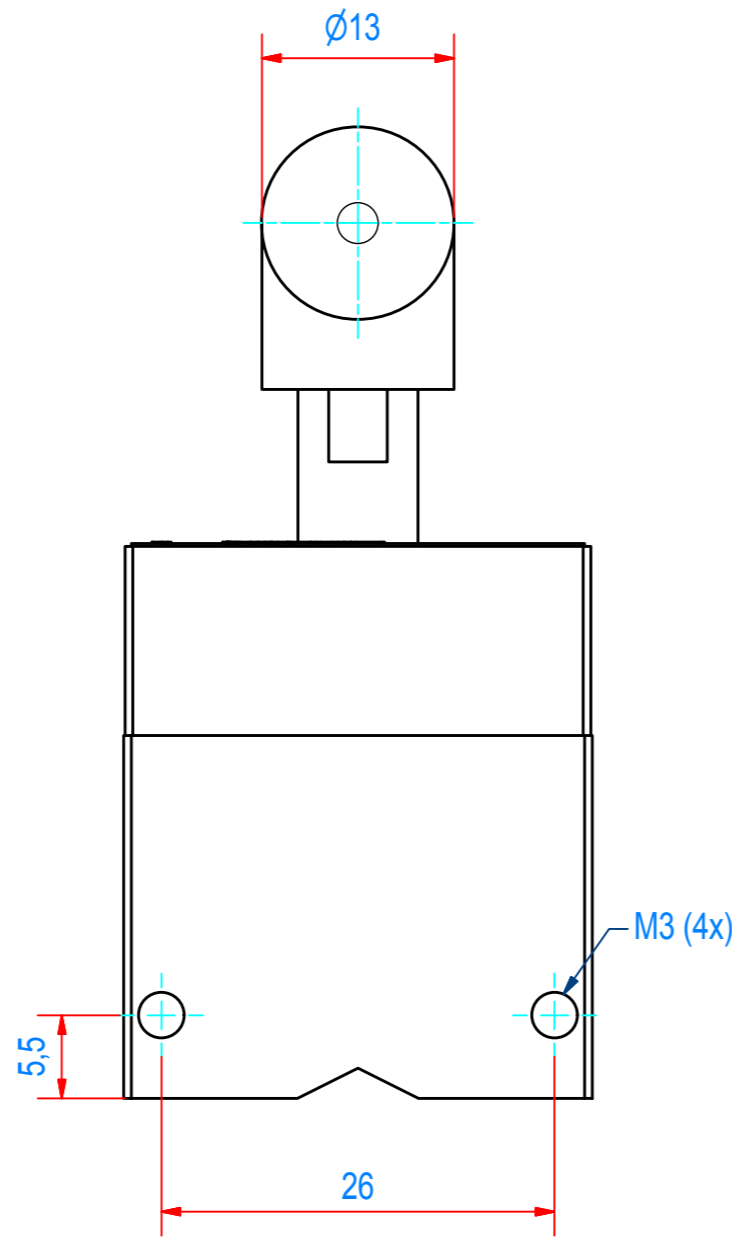
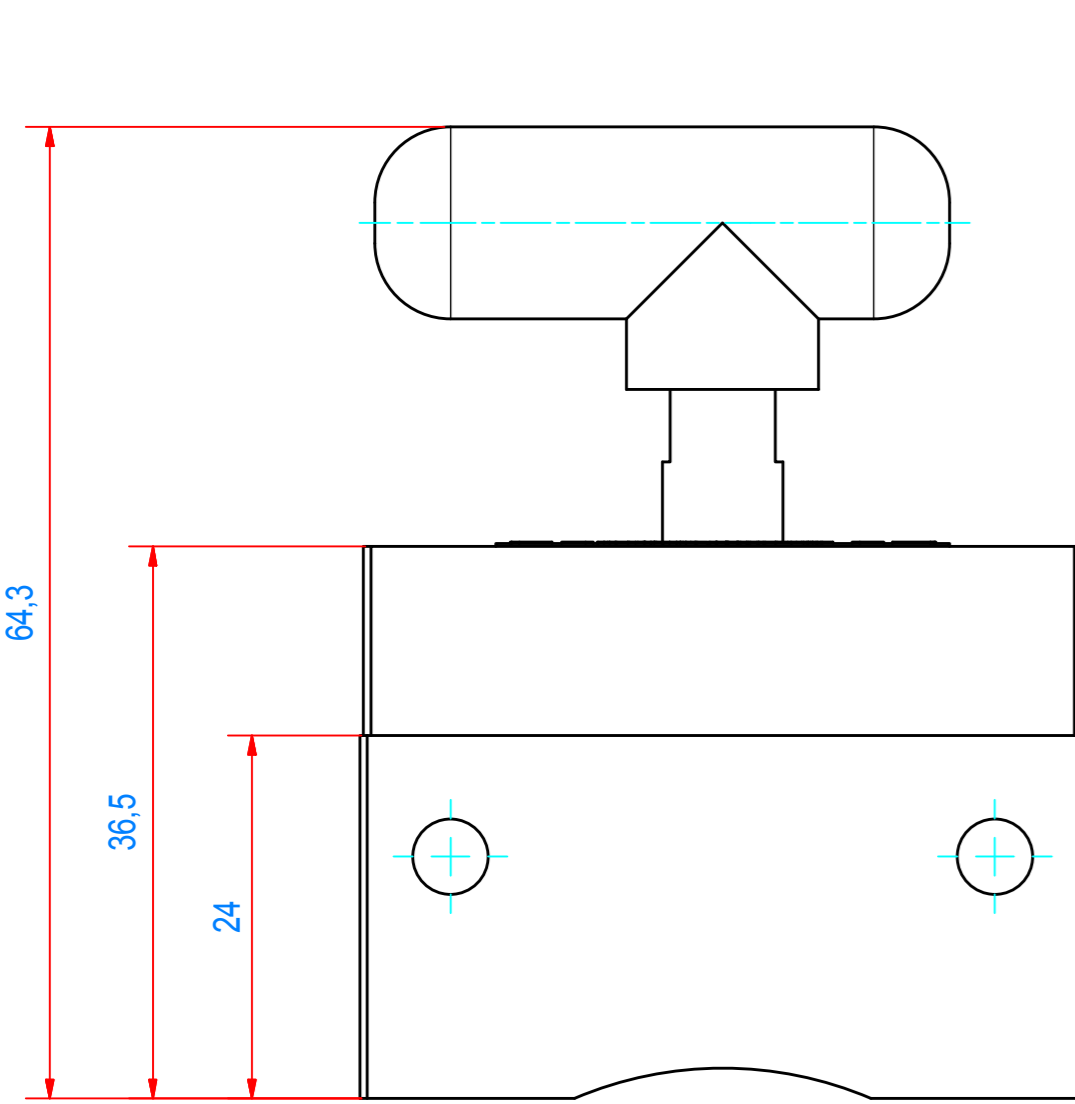
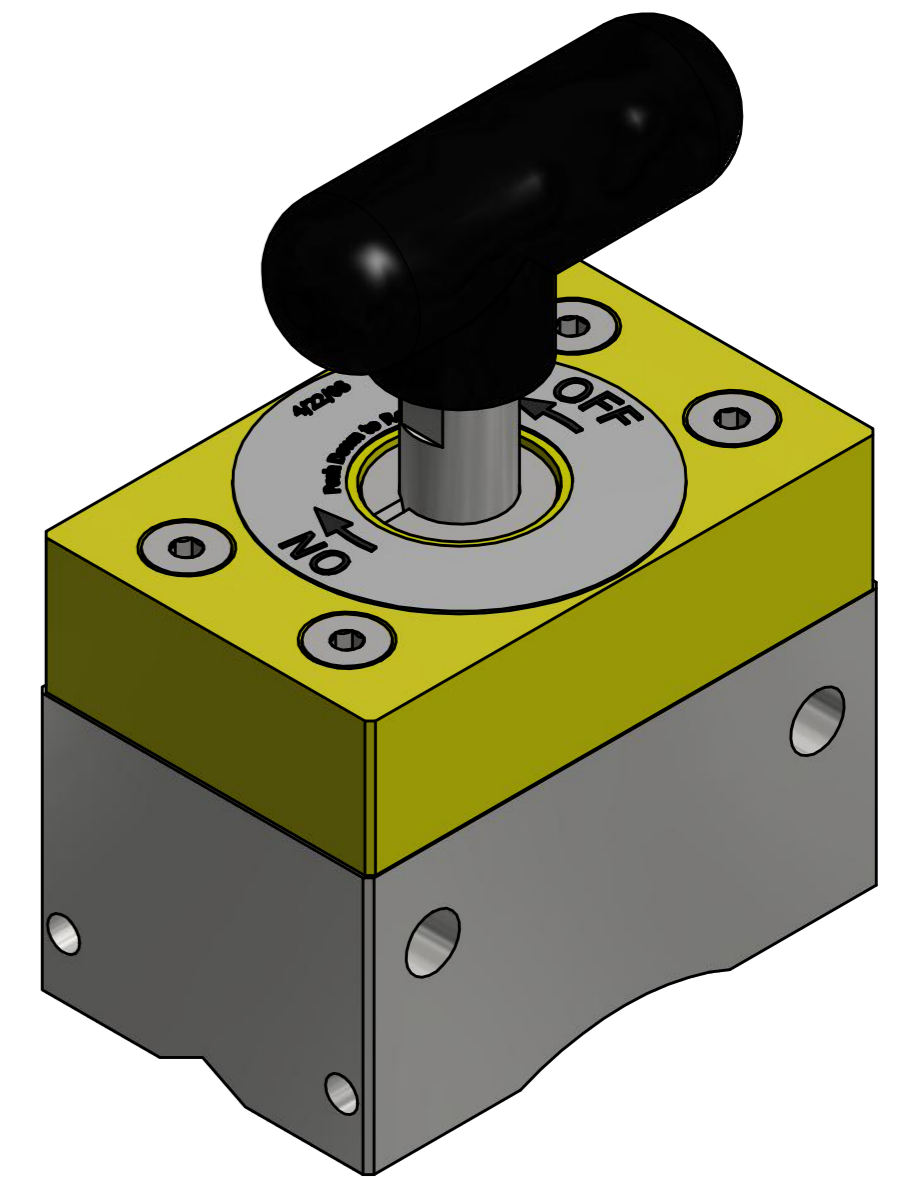
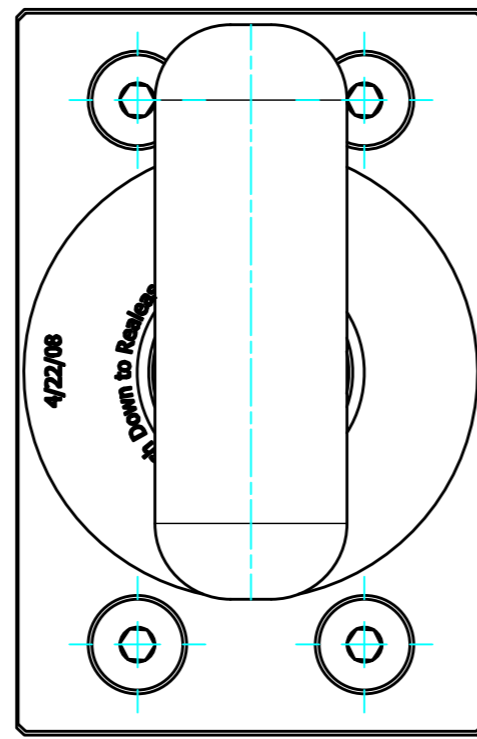


| REV | DATE      | BY | DESCRIPTION      |
|-----|-----------|----|------------------|
| -   | 14-5-2014 | BS | ORIGINAL DRAWING |



| RAW MAT.      | 1                | MAT. NUMBER   |  | MAT. DESCRIPTION           |  | LENGTH (mm)              | WIDTH (mm) |
|---------------|------------------|---|--|----------------------------|--|--------------------------|------------|
| QTY           | 1                |   |  |                            |  |                          |            |
| Sheet:        | A2               | Extra info:   |  | General tolerance:         |  | ISO 2768- mK             |            |
| Drawn:        | BS               | Weight (kg): 4  |  | Drawn according:           |  | ISO268; ISO1101; ISO2553 |            |
| Date:         | 14-5-2014        |   |  | Status:                    |  | Standard                 |            |
| Spare part:   | False            |   |  | Customer reference number: |  |                          |            |
| Quick search: | MS FIX           | © All rights reserved. Reproduction is not permitted without written permission of GOUDSMIT Magnetic Systems BV |  | File number:               |  | MS-8100494               |            |
| Description:  | HMS-MAGSQUARE165 |   |  | Part number:               |  | MS-8100494               |            |