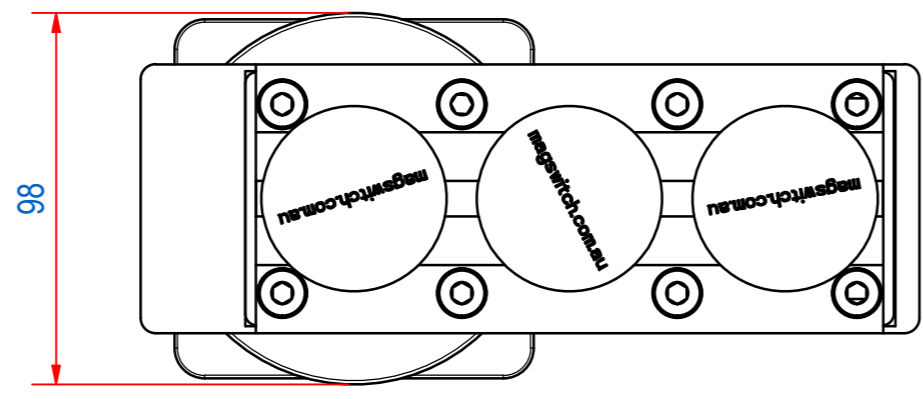
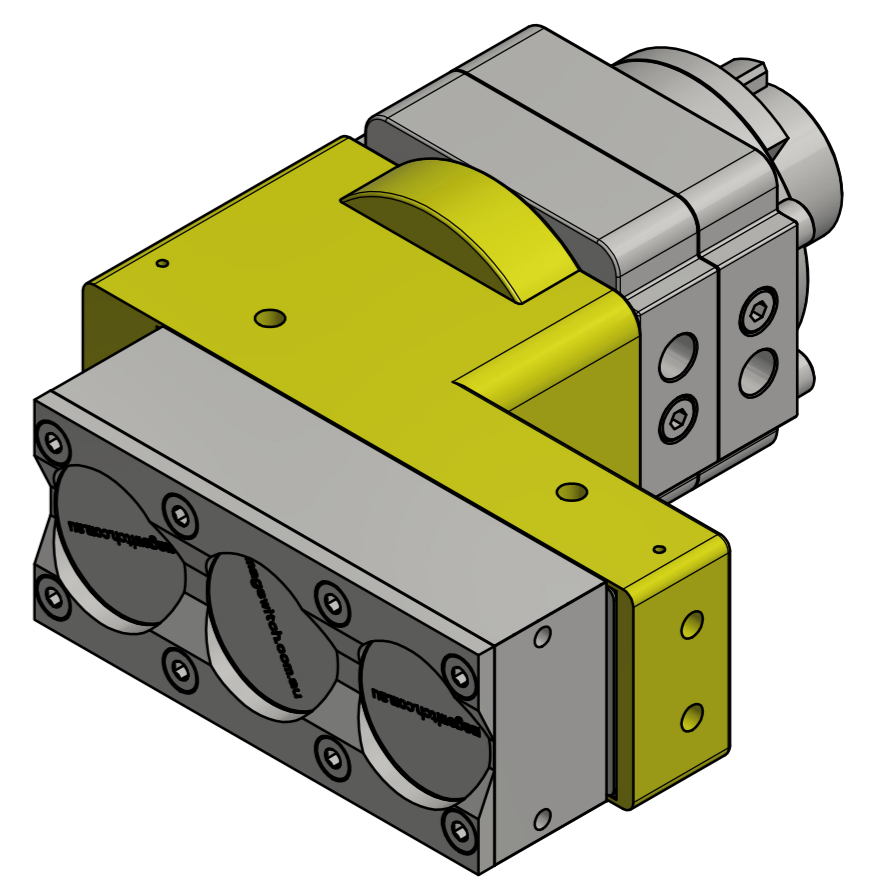
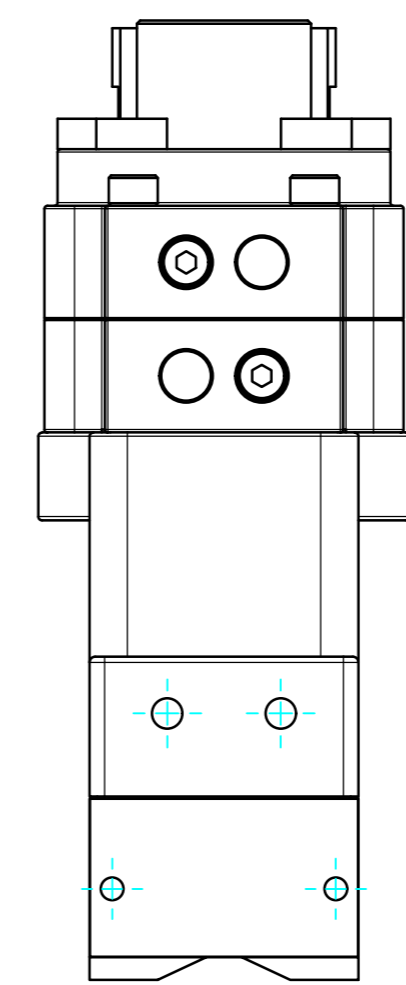
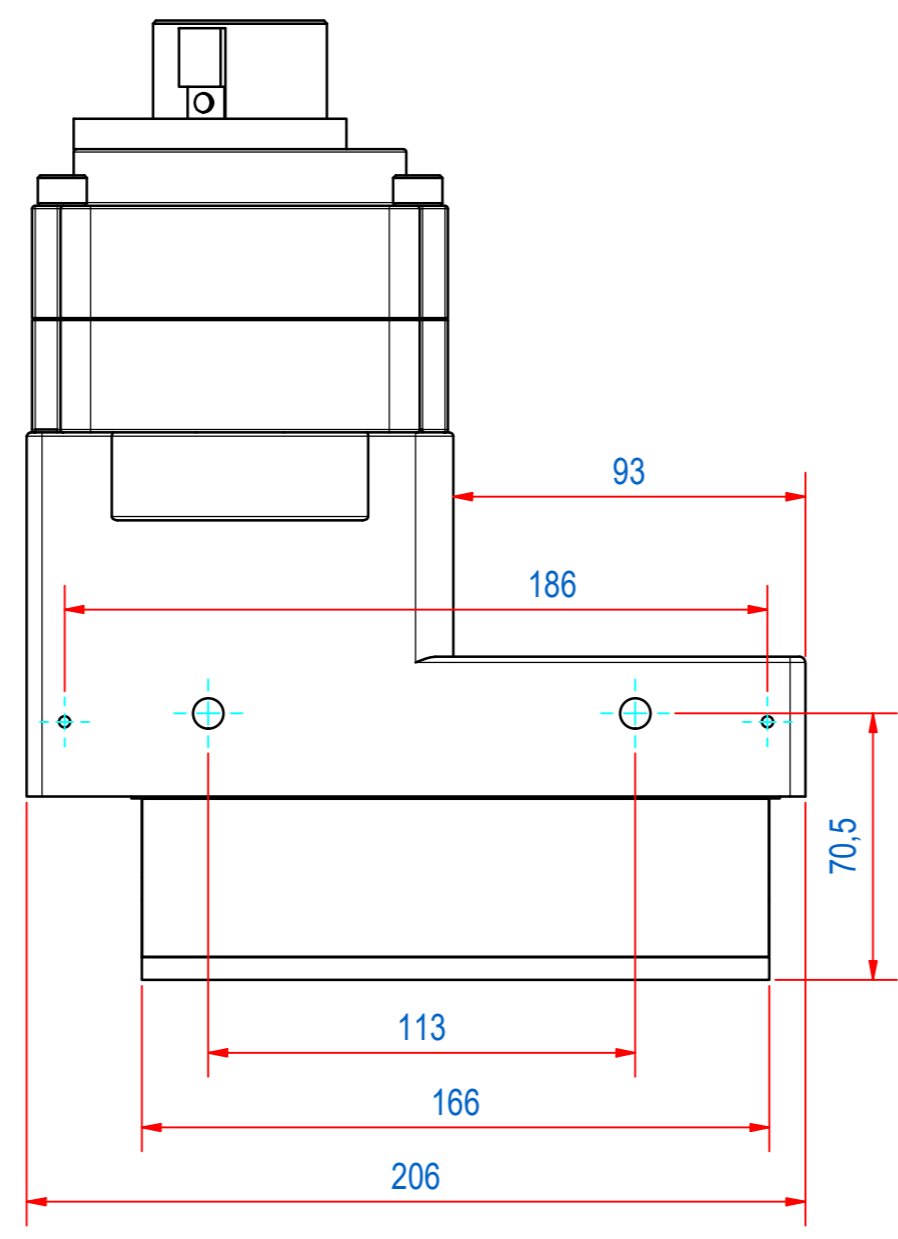
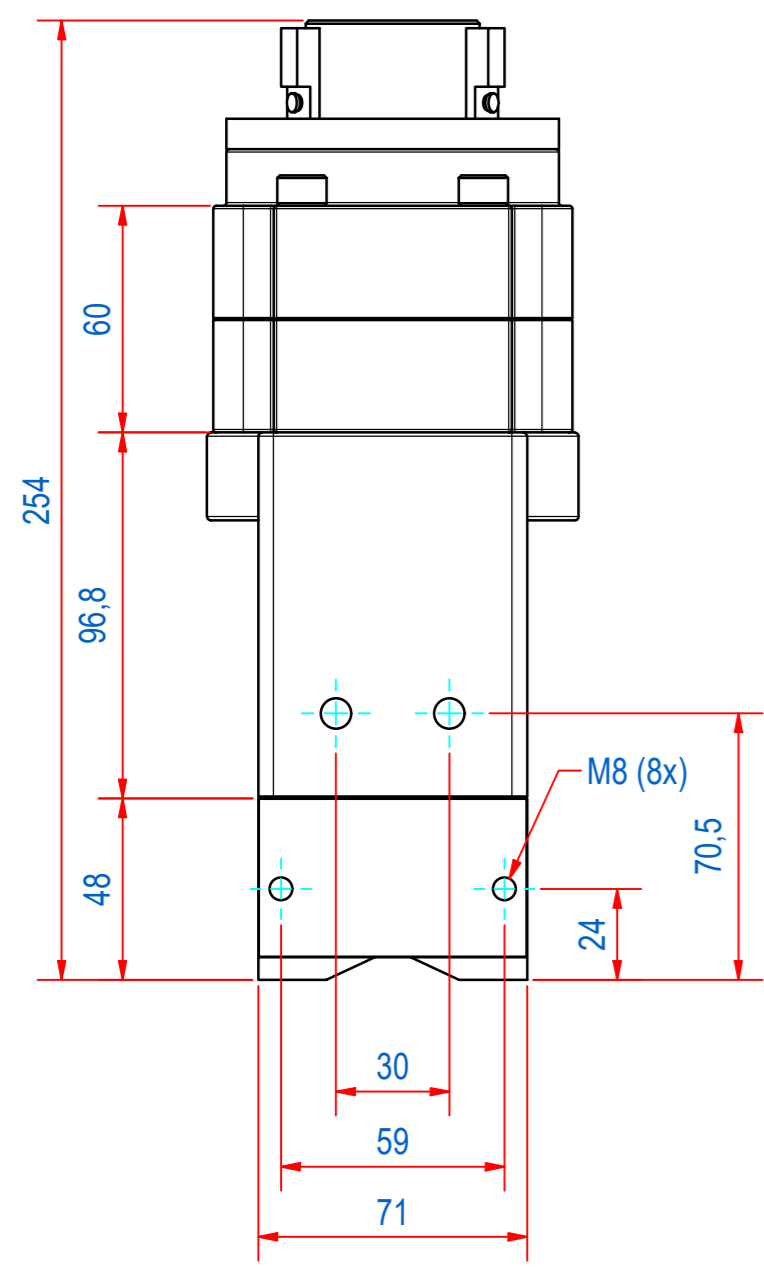
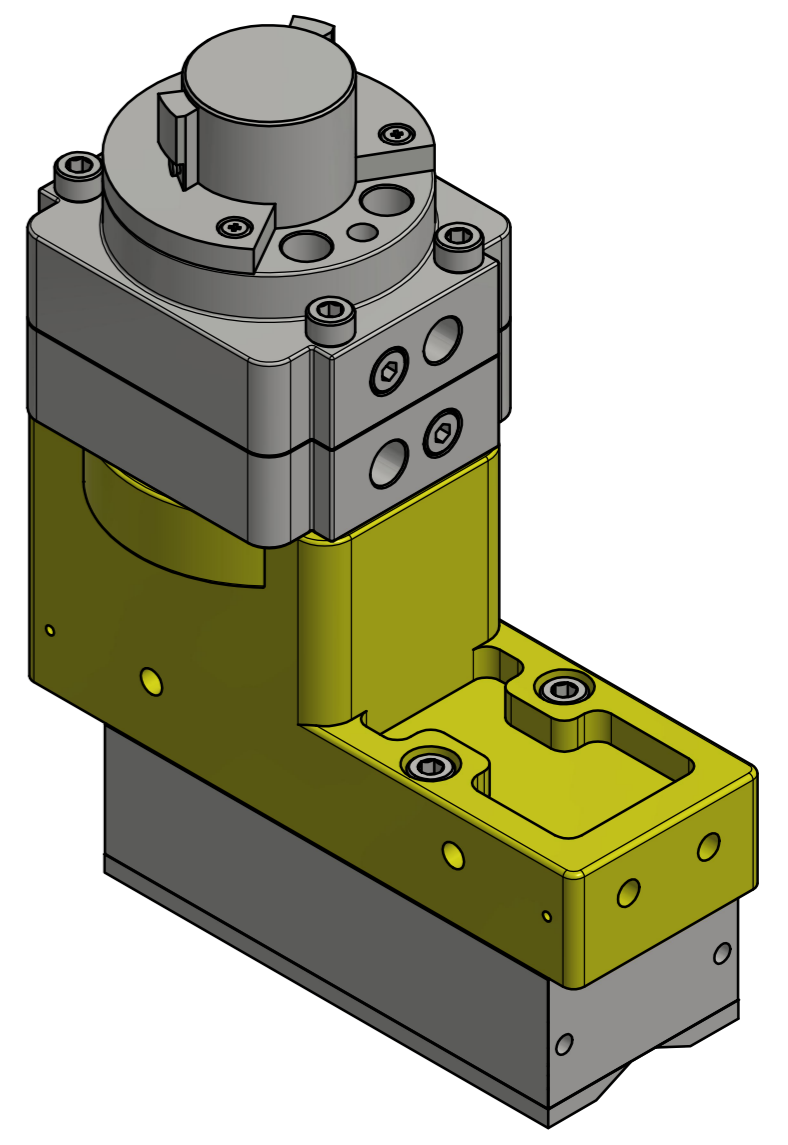
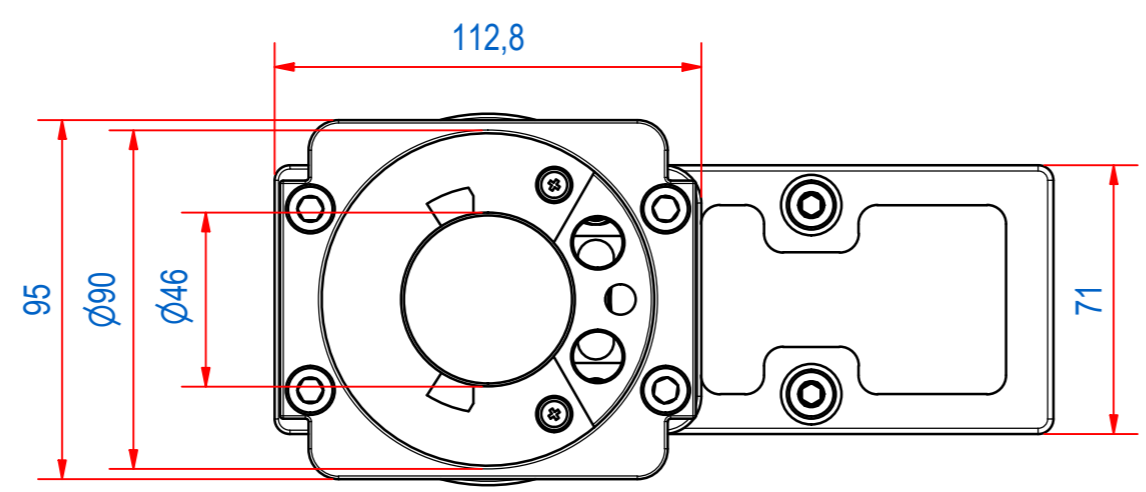



3	DOC.NR.	REV	DATE	BY	2	DESCRIPTION	1
	MS-8140393	-	12-12-2013	BS		ORIGINAL DRAWING	



RAW MAT.	1	Quantity	Material Number	Material Description	Length (mm)	Width (mm)
Symbol	Sheet:	A2		Extra info:	General tolerance: ISO 2768 - mK	
Drawn:	Weight (kg):	BS		8,3	Drawn according: ISO286; ISO1101; ISO2553	
Date:	10-12-2013		Status:		Standard	
Spare part:	Source:	False		Customer reference number:		
Quick search:	MS050X3				Document number: MS-8140393	
Description:	HMS-PLAY50x3 MDC-50MM				Part number:	MS-8140393
					Doc.Rev:	
					Rev:	