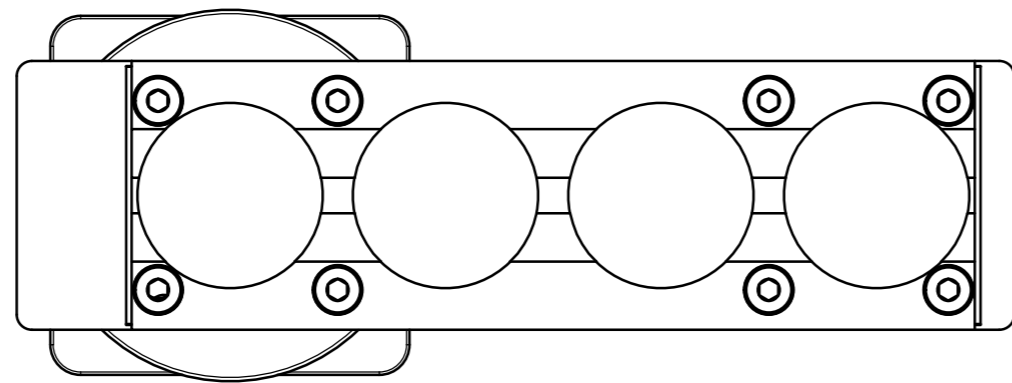
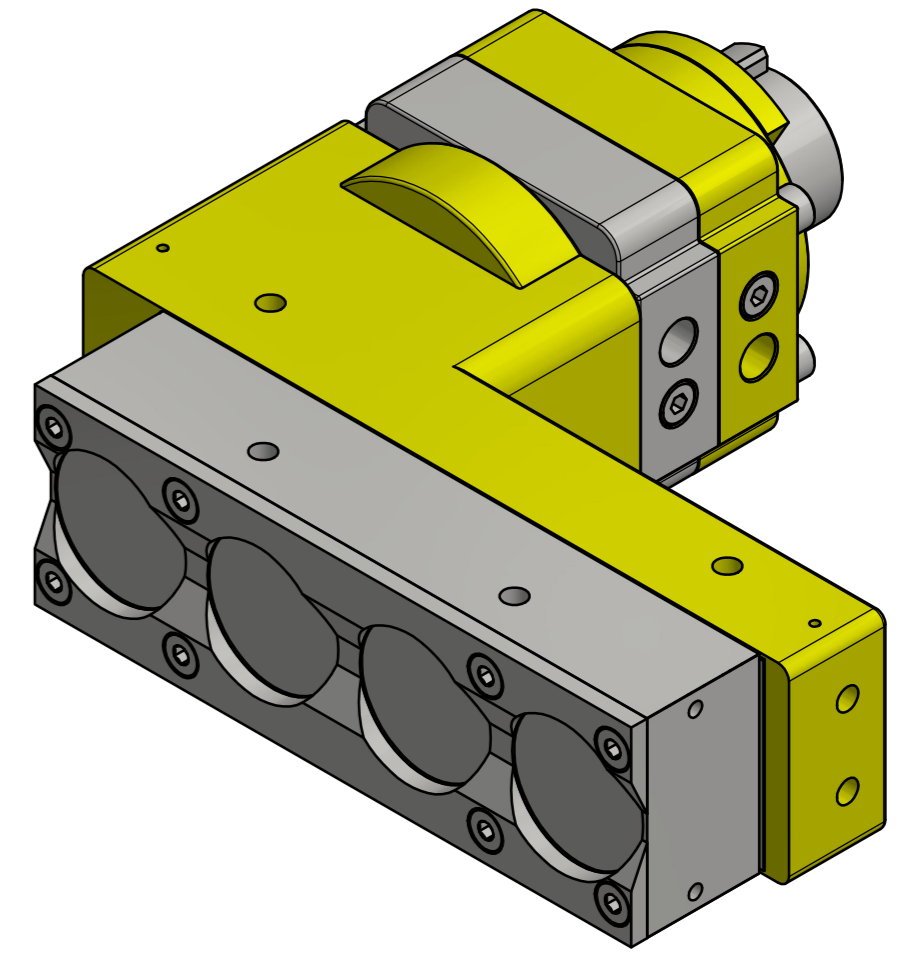
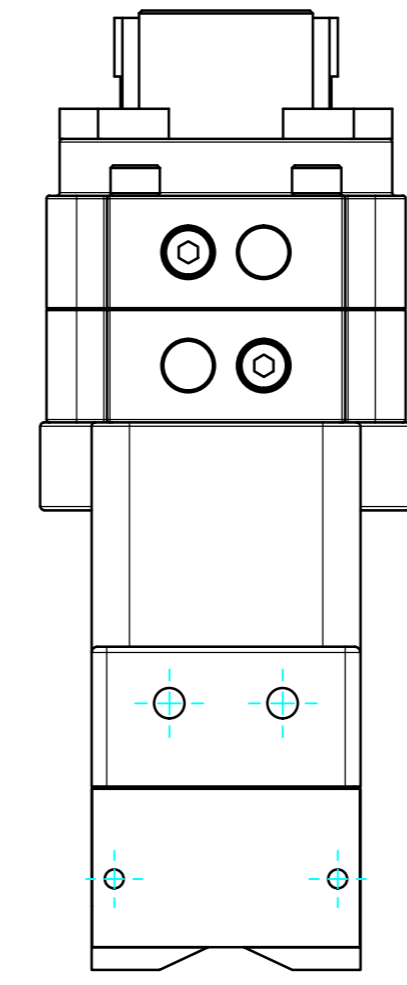
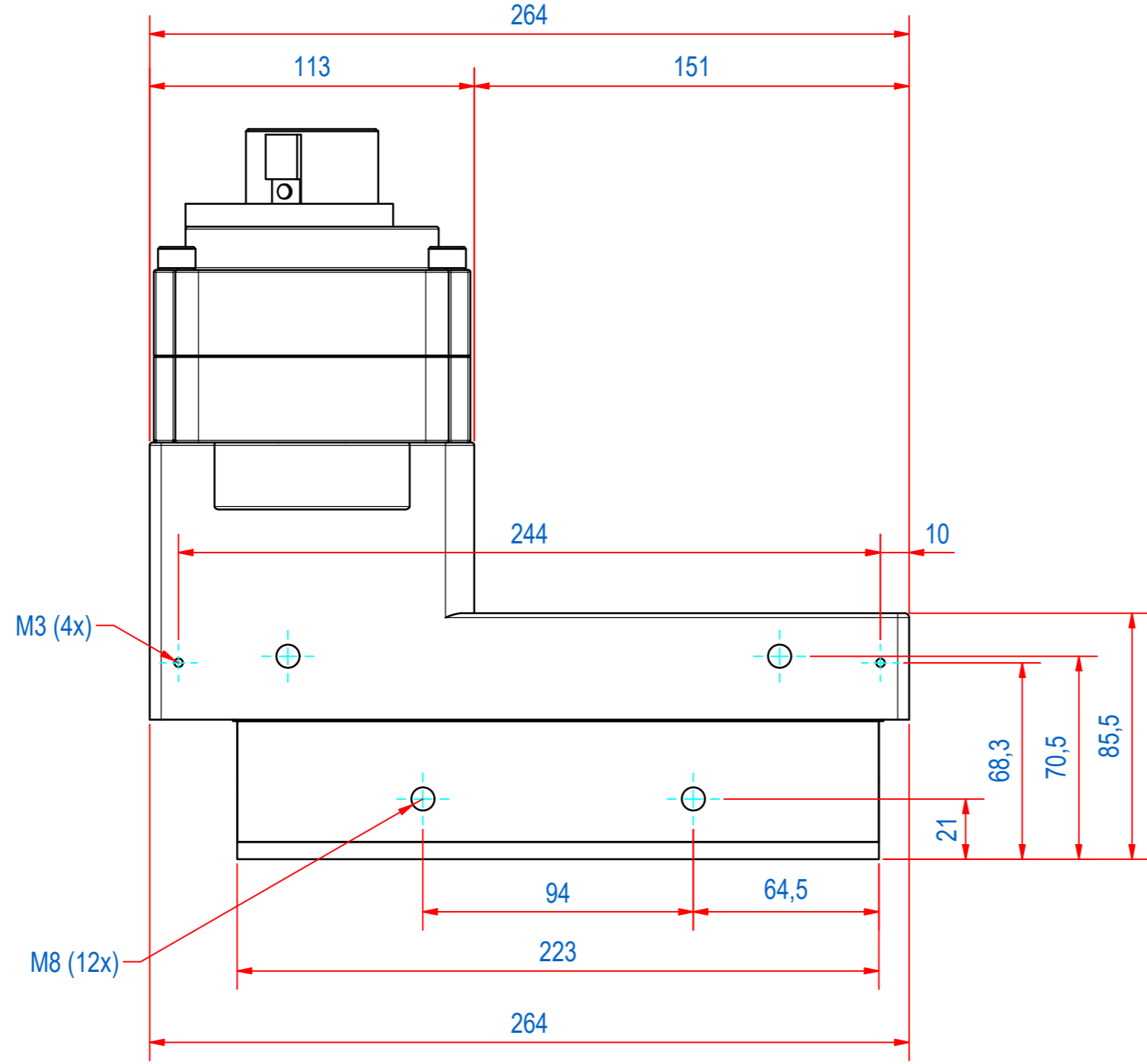
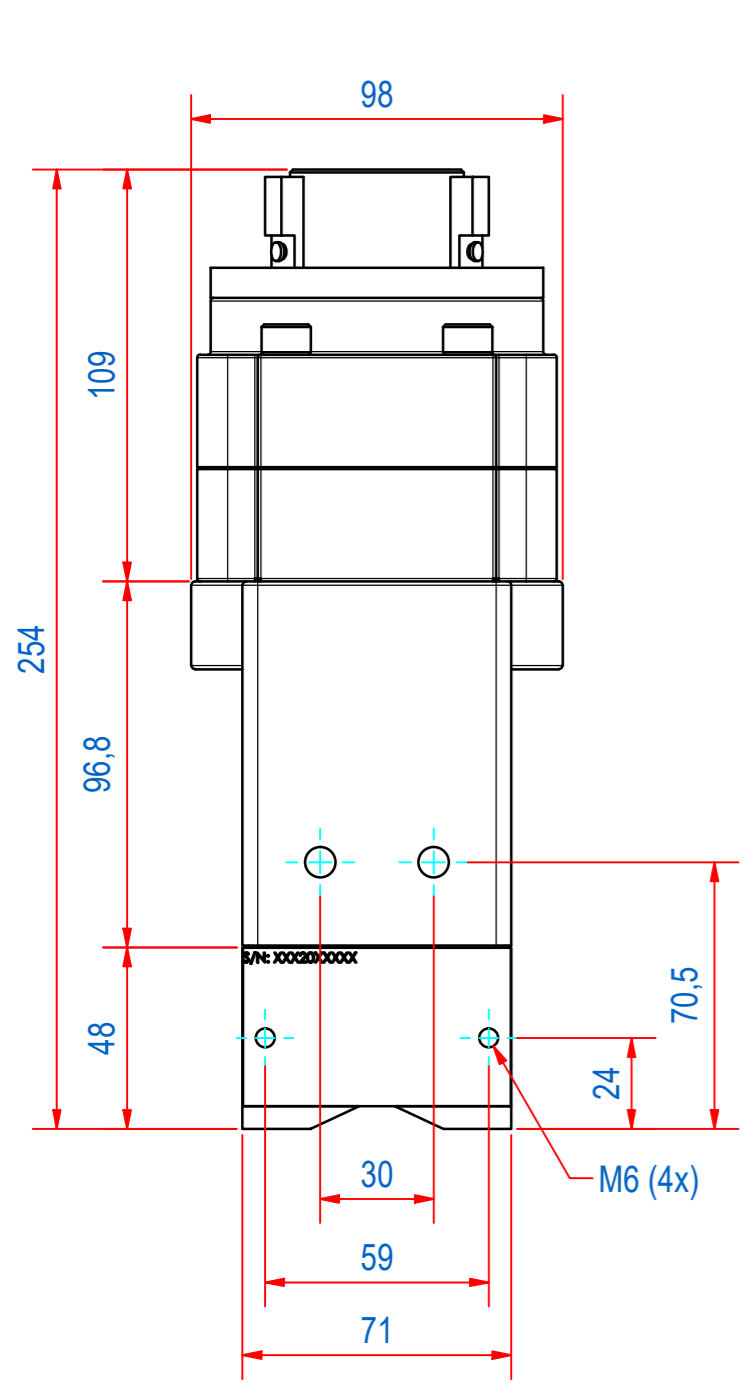
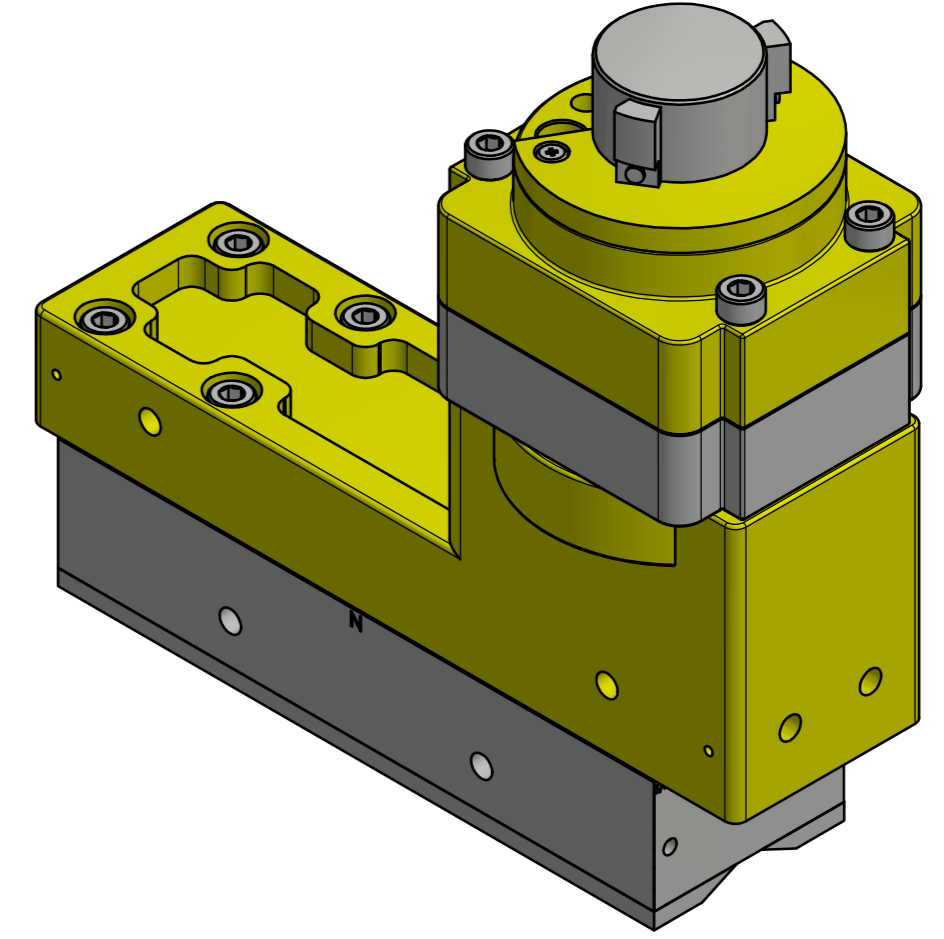
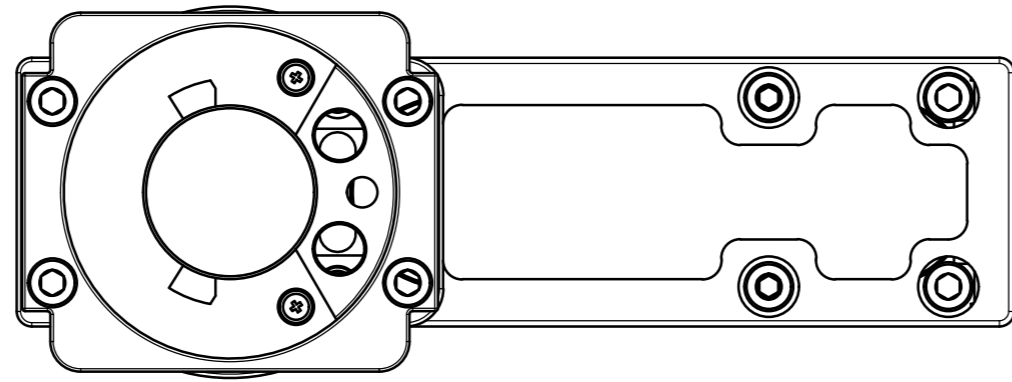


3	2	1		
DOC.NR.	REV	DATE	BY	DESCRIPTION
MS-8140404	-	12-12-2013	BS	ORIGINAL DRAWING



RAW MAT.	1						
Quantity		Material Number		Material Description		Length (mm)	Width (mm)
Sheet:	A2	Extra info:			General tolerance:	ISO 2768 - mK	
Drawn:	BS	Weight (kg):	9,6		Drawn according:	ISO286; ISO1101; ISO2553	
Date:	29-11-2013	Source:	MC-C		Status:	Standard	
Spare part:	False	Quick search:	MS050X4		Customer reference number:		
Description:	HMS-PLAY50x4 MDC-50MM				Document number:	MS-8140404	Doc.Rev:
					Part number:	MS-8140404	Rev: