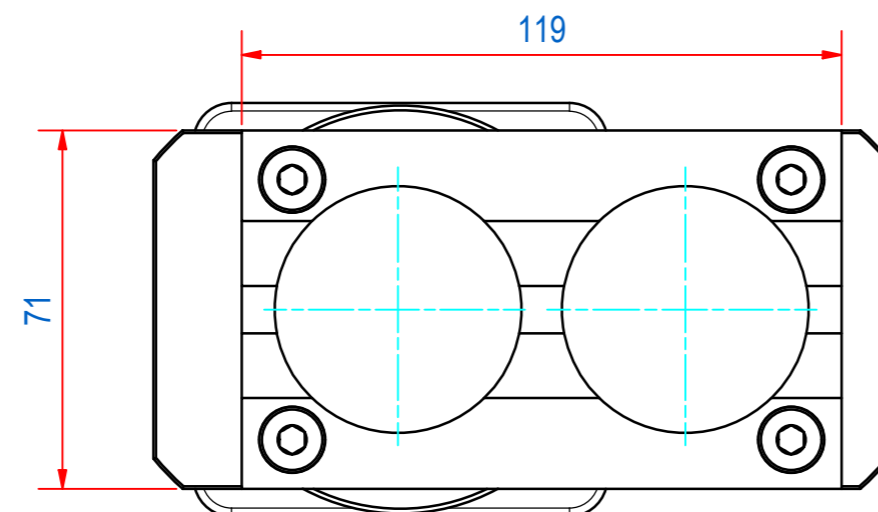
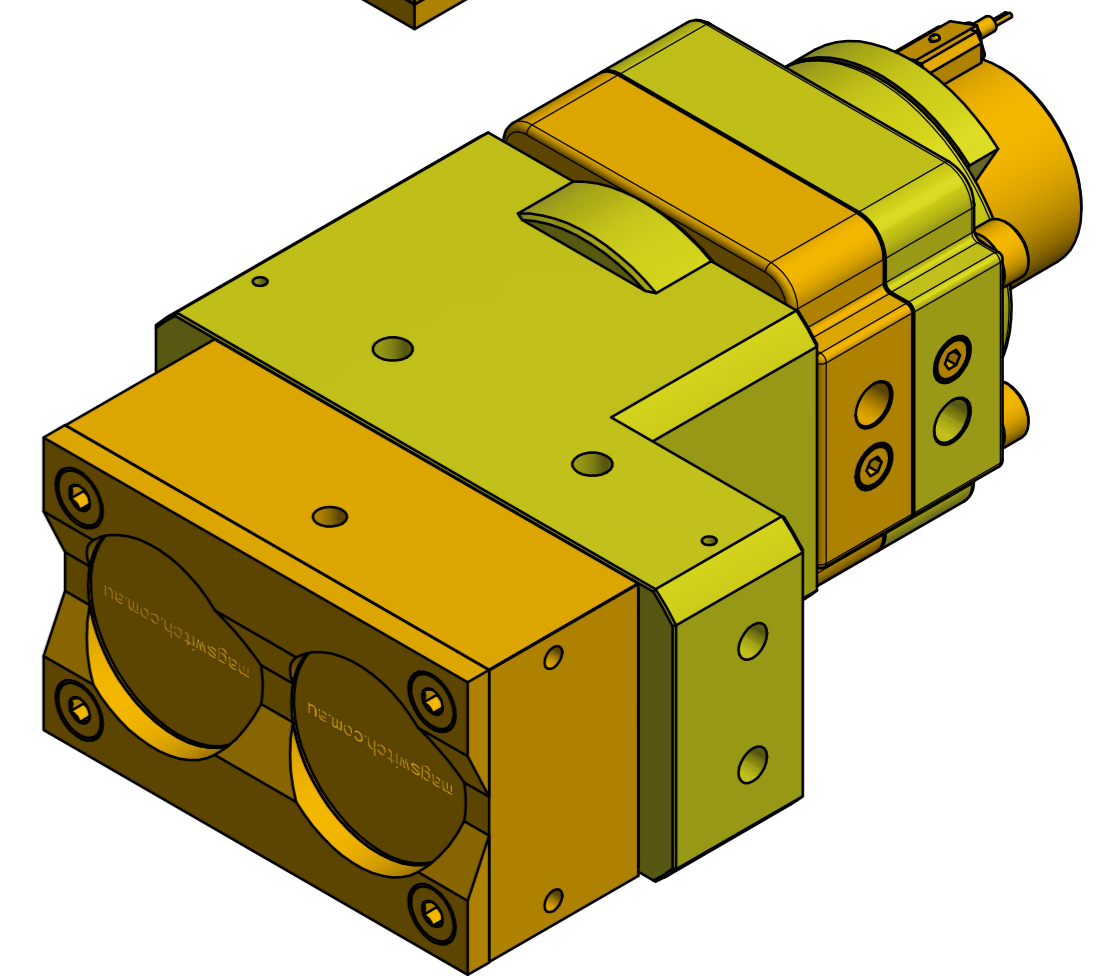
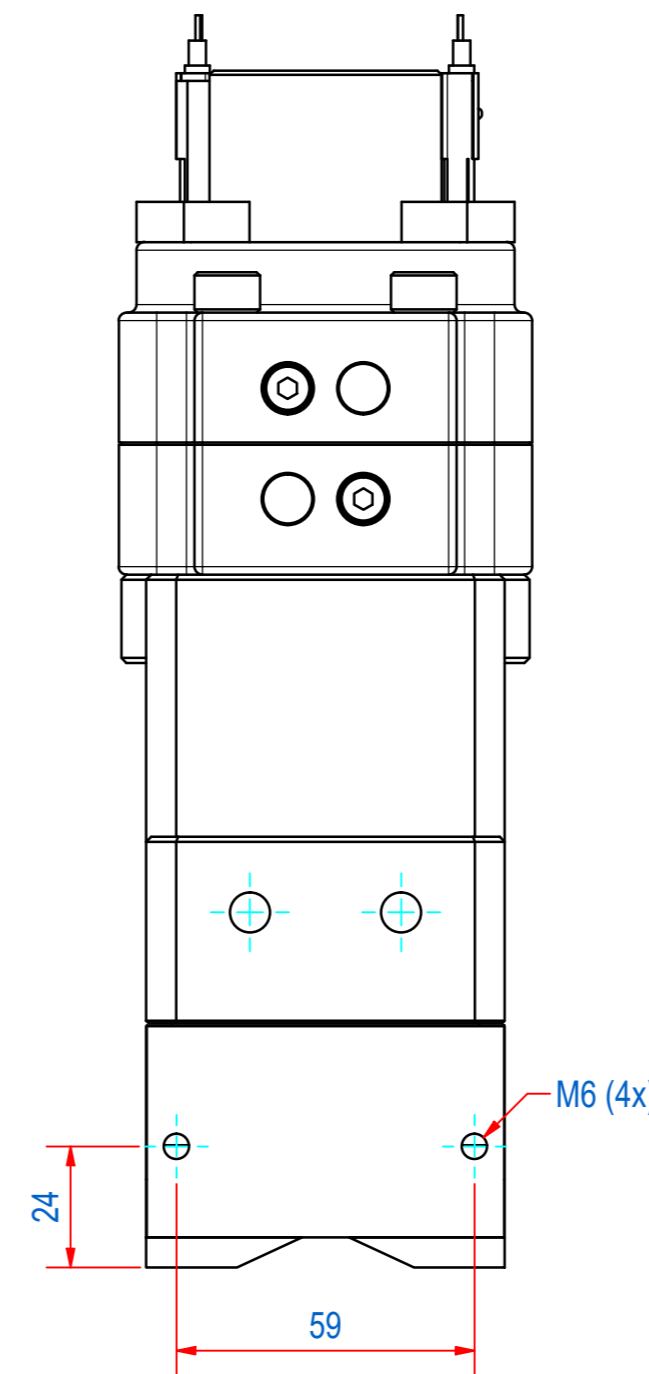
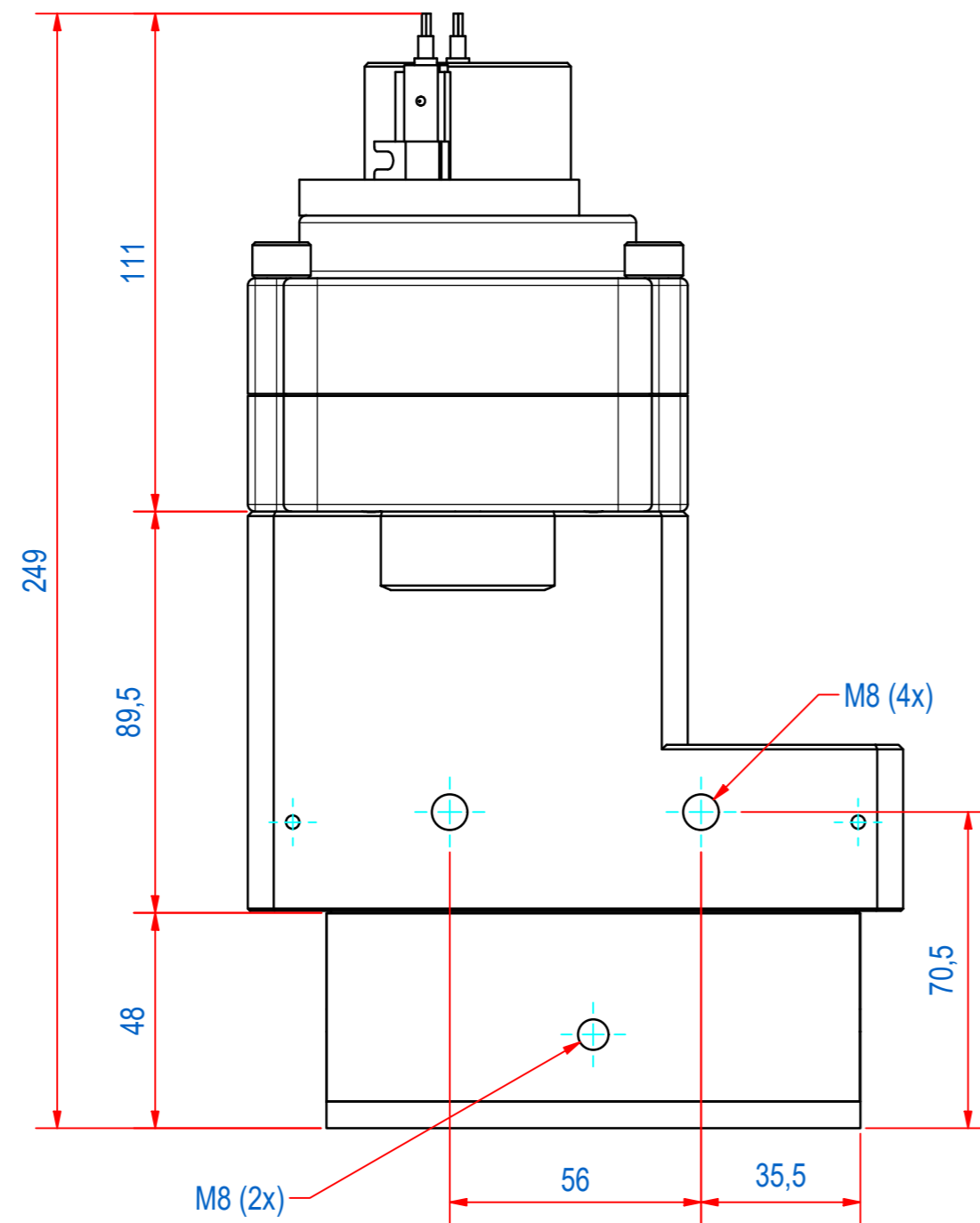
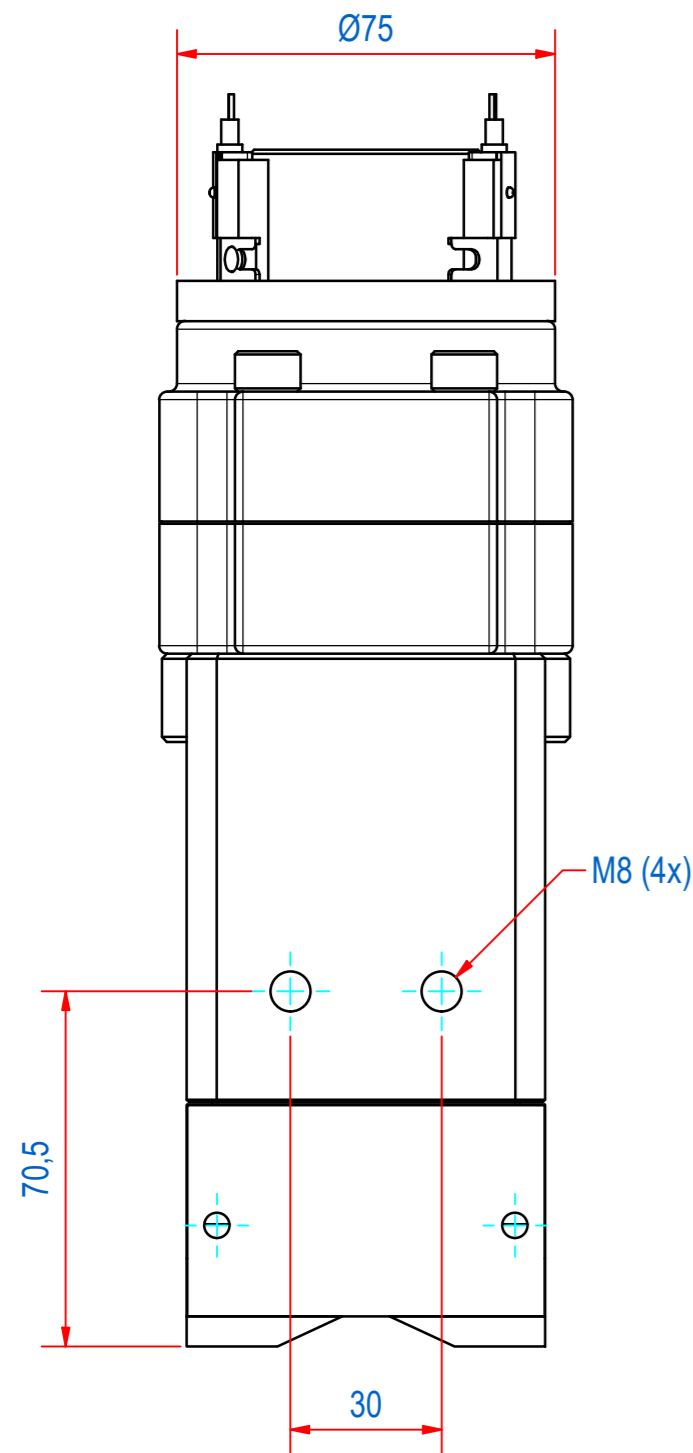
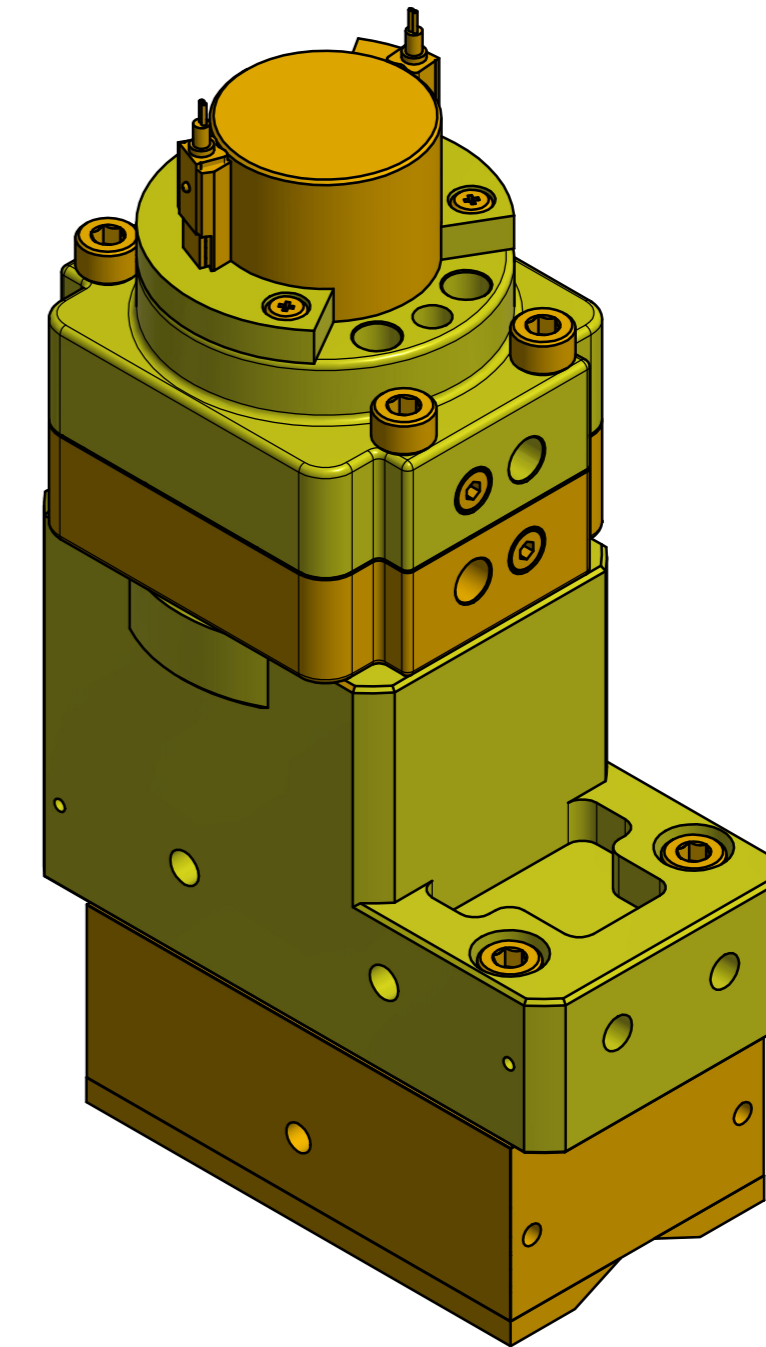
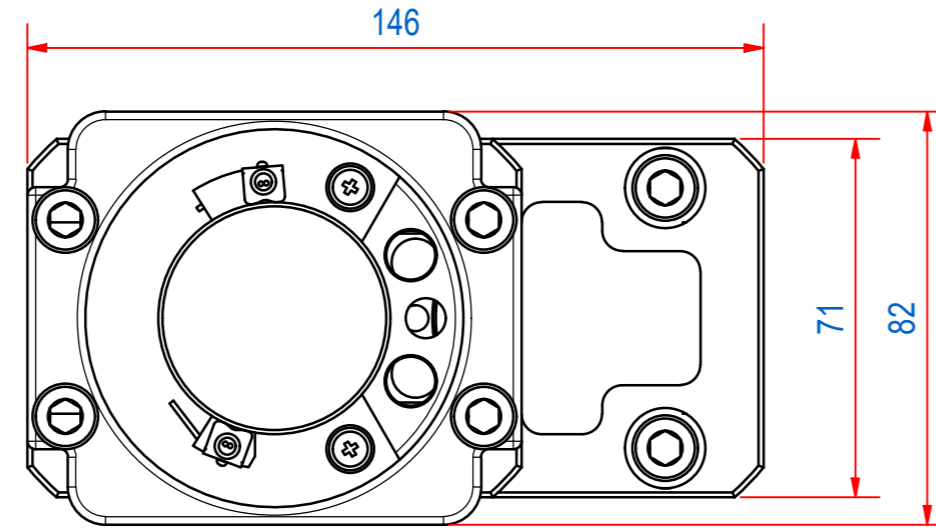


3	DOC.NR.	REV	DATE	BY	2	DESCRIPTION	1
	MS-8140405	-	12-12-2013	BS		ORIGINAL DRAWING	



RAW MAT.	1	Quantity	Material Number	Material Description	Length (mm)	Width (mm)
Symbol		Sheet:	A2	Extra info:	General tolerance: ISO 2768 - mK	
Drawn:	AVD	Weight (kg):	5,7		Drawn according: ISO286; ISO1101; ISO2553	
Date:	5-10-2012				Status: Standard	
Spare part:	False	Source:	MC-C		Customer reference number:	
Quick search:	MS050X2				Document number: MS-8140405	
Description:	HMS-PLAY50X2 MDC-50MM				Part number: MS-8140405	
				© All rights reserved. Reproduction is not permitted without written permission of GOUDSMIT Magnetic Systems BV		Doc.Rev:
						Rev: